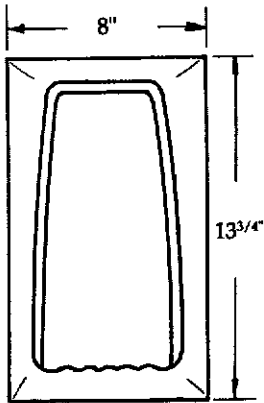


## The Standard Collection

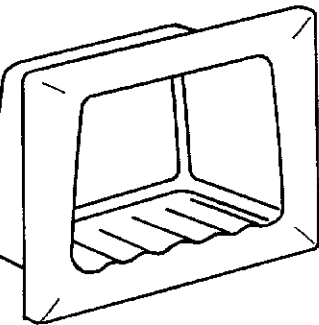
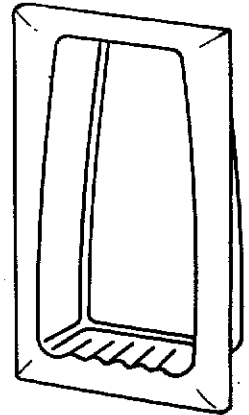


Modest yet very elegant, these individual soap, shampoo and toilet paper holders are a welcome addition to any bath environment.

Soft delicate lines tastefully compliments traditional and contemporary designs.

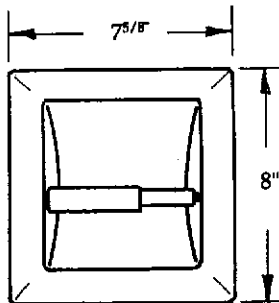
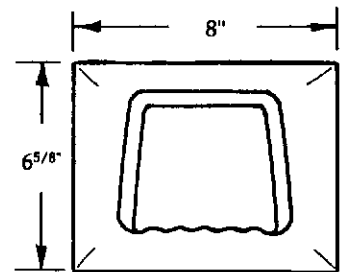
### Shampoo Holder

Weight 8 lbs  
Opening size 7<sup>1/4</sup>" x 13"



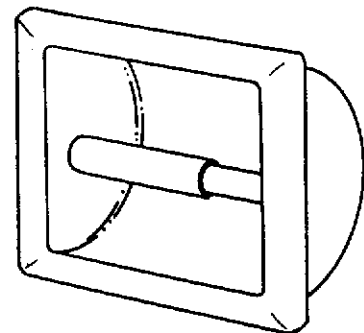
### Soap Holder

Weight 6 lbs  
Opening size 7<sup>1/4</sup>" x 5<sup>7/8</sup>"



### Toilet Paper Holder

Weight 4 lbs  
Opening size 6<sup>7/8</sup>" x 7<sup>1/4</sup>"



All Six Eleven Limited, Inc. products are manufactured in accordance with the strictest quality control measures utilizing state of the art resources and materials. However, there may be slight differences in tolerances (+ or - 1/8th of an inch), colors, hues, and patterns due to the nature of the materials used.

All information contained on this specification sheet is the property of Six Eleven Limited, Inc. and is furnished for use in operation, repair and

All of the above items are available in Exyte\*, Aluminyx and Granatex colors.

\*NOTE: Exyte colors match Kohler, Eljer, American Standard and some other major manufacturers most popular colors in addition to the six-Eleven "rainbow series" of solid colors.

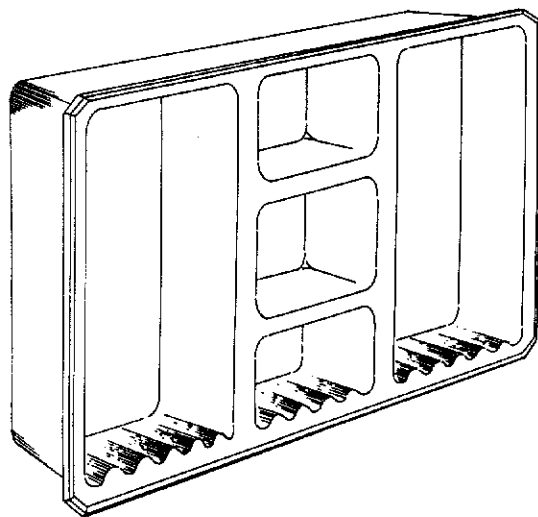
# Recessed Bath Accessories

## The Executive

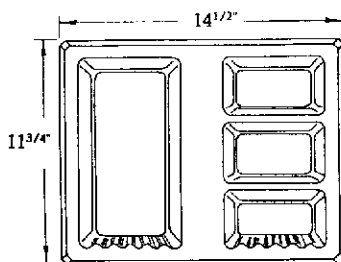
### The Combo Holder

The Executive Collection is perhaps the most versatile and diversified in our series of recessed accessories. The edge detail is designed to match the Executive Collection towel caddies and magazine racks. They also match a number of our bathing pools and basins. The combo holders are designed to provide ample space for those items so essential to the shower users personal hygiene.

As with all other Six-Eleven products, this collection is available in Exyte\*, Aluminyx, Granatex and many custom colors.



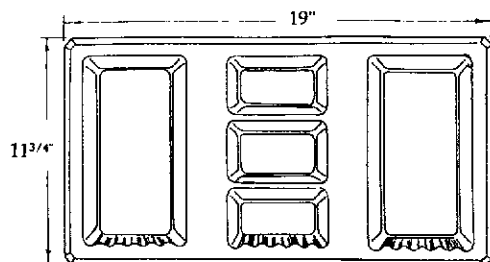
Note that when using the large unit, more than normal stud-to-stud space is needed. Make proper preparations.



Small

Weight 17 lbs.

Opening Size 13 3/4" x 11"



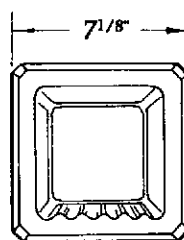
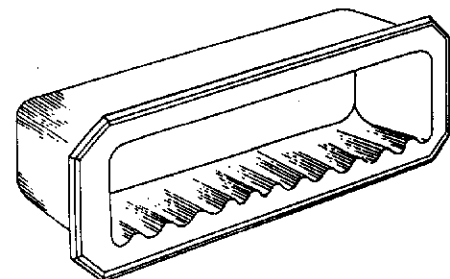
Large

Weight 22 lbs

Opening Size 18 1/4" x 11"

### Soap Holders

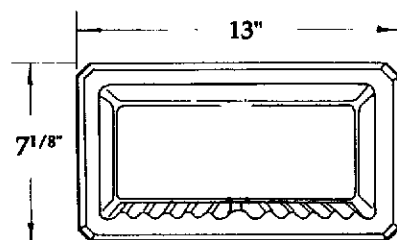
These ever so convenient soap holders may be used in the shower or the tub. In some instances, they can be incorporated into the side of our bathing pools.



Small

Weight 5 1/2 lbs.

Opening Size 6 1/2" x 6 1/2"



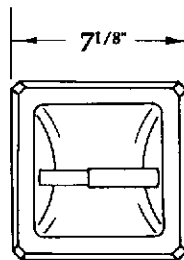
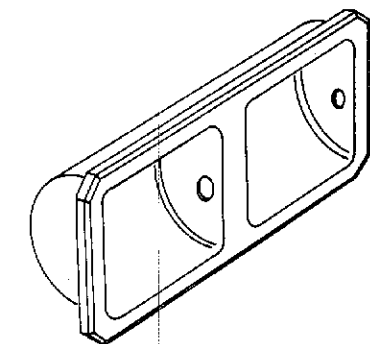
Large

Weight 10 lbs.

Opening Size 12 1/2" x 6 1/2"

### Toilet Paper Holders

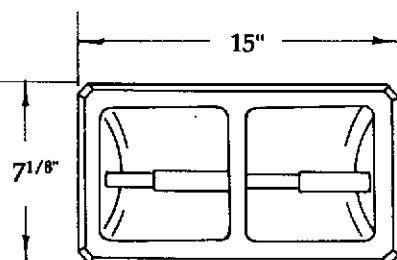
A complimenting the total bath environment! Convenient and accessible for even the most cramped water closet areas. Chose from our single or double unit.



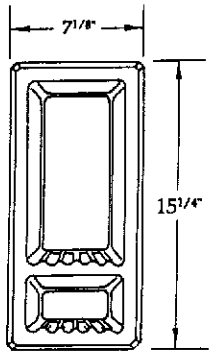
Single

Weight 4 lbs.

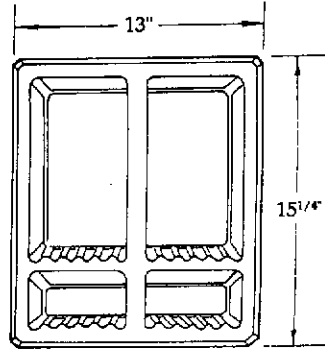
Opening Size 6 3/8" x 6 3/8"



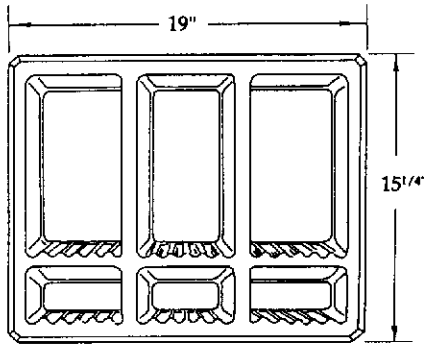
## Collection



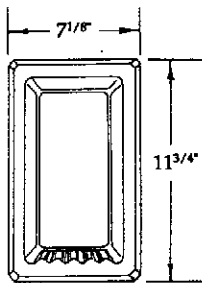
Single Unit  
Weight 11 lbs.  
Opening Size 6 3/8" x 14 1/2"



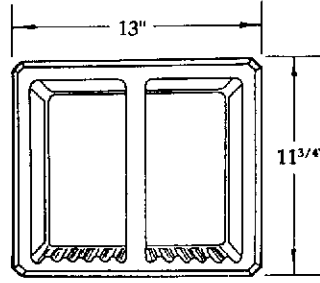
Double Unit  
Weight 21 lbs.  
Opening Size 12 1/4" x 14 1/2"



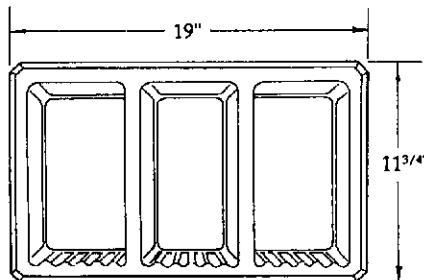
Triple Unit  
Weight 30 lbs.  
Opening Size 18 1/4" x 14 1/2"



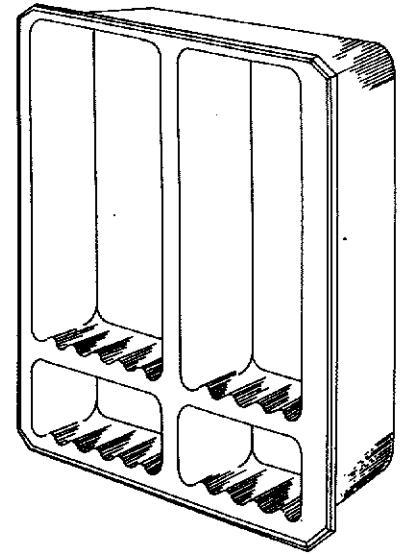
Single Unit  
Weight 8 lbs.  
Opening Size 6 3/8" x 11"



Double Unit  
Weight 15 lbs.  
Opening Size 12 1/4" x 11"

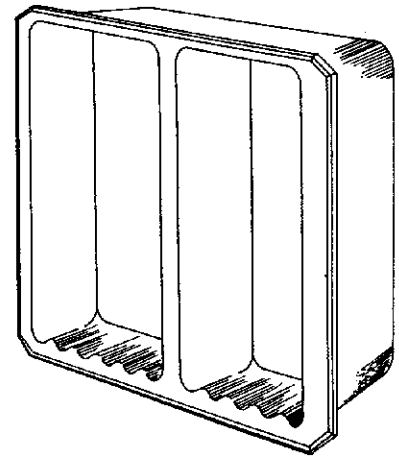


Triple Unit  
Weight 23 lbs.  
Opening Size 18 1/4" x 11"



## Soap & Shampoo Holders

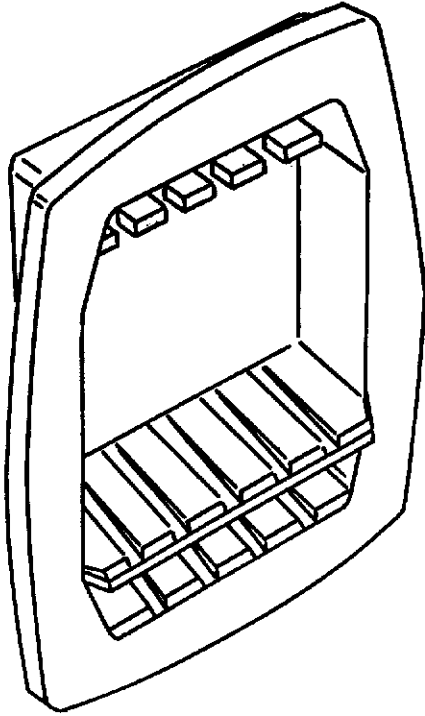
The soap and shampoo holders place your hygiene items within reach in an unobstruent recessed bath accessory. Available in a single, double or triple unit. The real advantage of these and our other accessories is that you can incorporate any number of different units in a single environment to achieve the convenience and sotorage most suitable to your needs.



## Shampoo Holders

Clean cut and simple for the user who wishes to store shampoo, conditioner or other items without the soap holder. Available in single, double and triple units. May be combined in any arrangement desired.

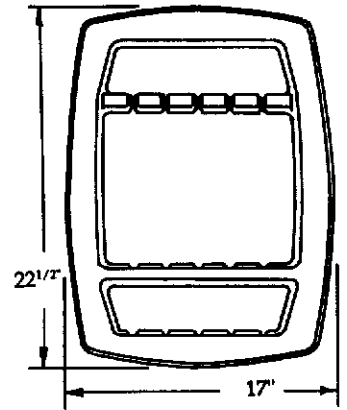
# Recessed Bath Accessories



## Soap/Shampoo Holder with Razor and Toothbrush holder

Contemporary in design, versatile beyond compare! This unit is useful in the shower or near your vanity. Spacious enough for multiple containers, tooth brushes or razors--not to mention, soap, sponge, and face towel. This unit--as with all others in this series--occupies normally used wall space between the studs.

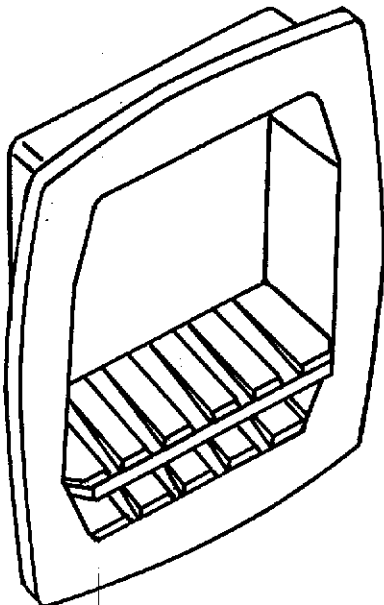
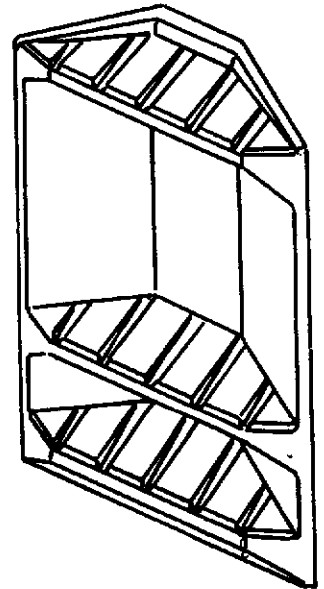
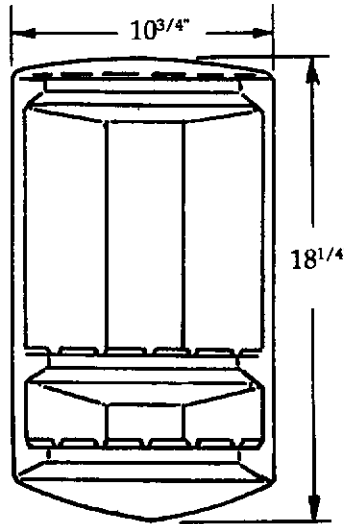
Weight 22 lbs.  
Opening Size by template



## Corner Soap/Shampoo

This stylish unit fits right in the corner of your shower or tub area. It gives you easy access to your soap and shampoo. The unit is simple to install in almost all conditions such as ceramic tile, marble or plastic wall treatments.

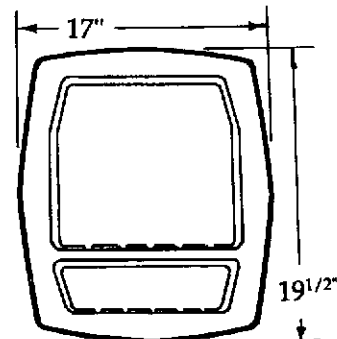
Weight 15 lbs.



## Soap/Shampoo Holder

Elegant, spacious and convenient! This unit is similar to the the soap/shampoo unit above except for the absence of the razor and tooth brush holder.

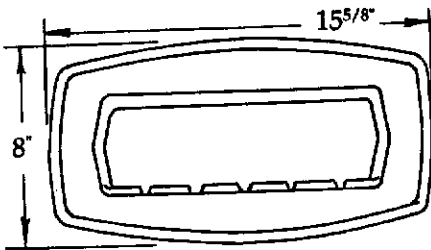
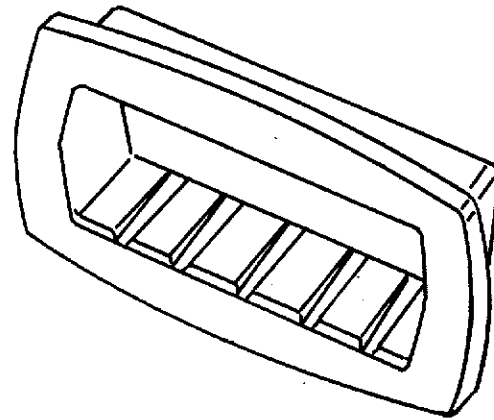
Weight 18 lbs.  
Opening Size by template



# The Contempo Accessories

## Elongated Soap Holder

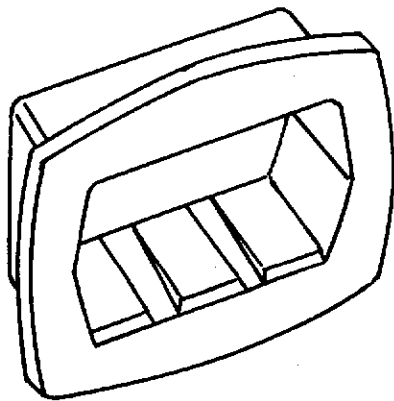
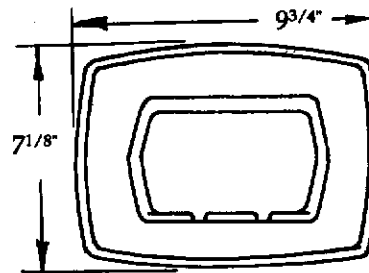
The elongated soap holder is generous with space. It allows for two or more bars of soap along with a face towel or sponge—all stored within easy reach. Another advantage to the elongated soap holder is that it is easy to clean. This unit can be located in the tub or shower wall area. It is available in Exyte, Aluminyx or Granatex or your choice of custom colors.



Weight 9 lbs.  
Opening Size  $13\frac{1}{2} \times 5\frac{1}{4}$

## Small Soap Holder

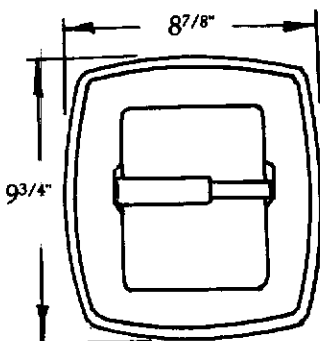
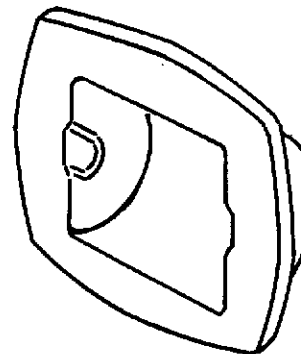
Space saving, elegant, convenient, easy to clean! All in this single soap holder. It is part of a diversified collection of bath accessories that enhance the beauty and value of your bath environment.



Weight 5 lbs.  
Opening Size  $7\frac{1}{4} \times 5$

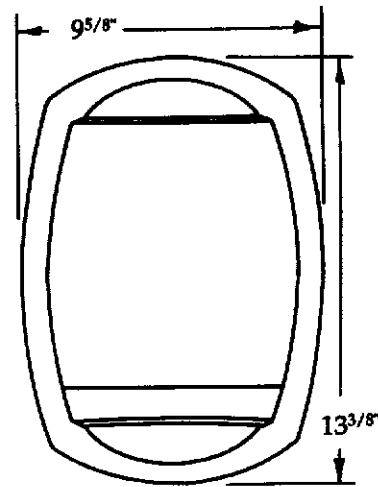
## Toilet Paper Holder

Our collection of recessed accessories includes a toilet paper dispenser. This unique holder adds elegance to any bath environment. The expandable roller tube may be ordered in polished chrome, polished brass (as standard) or a custom finish by special order for only a nominal surcharge.



Weight 6 lbs.  
Opening Size  $6\frac{1}{2} \times 7\frac{1}{2}$

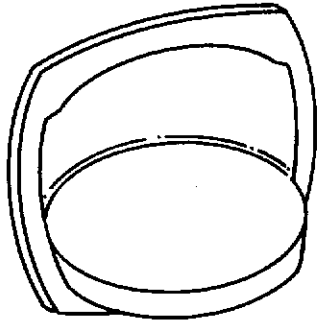
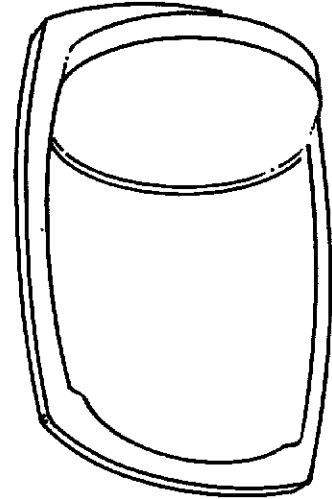
## The Classic Accessories



Weight 11 lbs.  
Opening Size by template

### Shampoo Holder

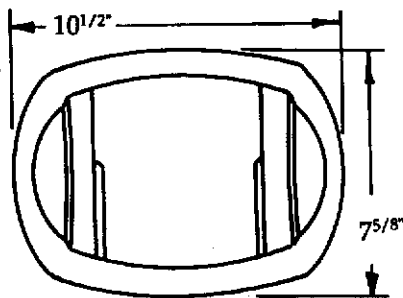
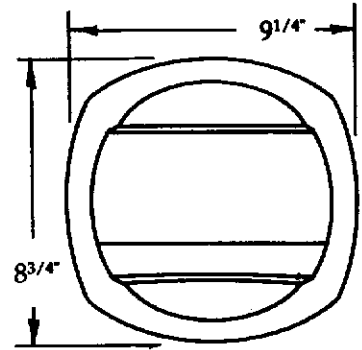
Delicate curves, soft and easy on the eye—ideal for the small traditional or nostalgic bath environment. This shampoo holder beautifully enhances any shower or tub area.



### Soap Holder

Complementing the shampoo holder, this soap dish is equally delicate and ever so convenient. It is easy to clean and a must for every quaint bath environment.

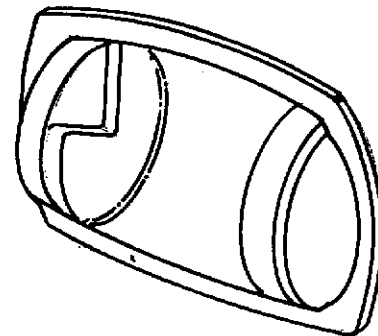
Weight 5 lbs.  
Opening Size by template



Weight 6 1/2 lbs.  
Opening Size by template

### Toilet Paper Holder

To complete the picture the Classic toilet paper holder is a must. A truly fine appointment adding charm and harmony to your bath environment.



All of the above units are available in Exyte\*, Aluminyx, Granatex or any custom color that you may chose.

\* NOTE: Exyte colors match Kohler, Eljer, American Standard and some other major manufacturers—a most popular colors in addition to the Six-Eleven "rainbow series" of solid colors.

Six Eleven Limited, Inc. products are cast aggregate filled polyester sandwiched between layers of a fiber reinforced face (with a gel coat surface coating) and outer skin; with the outside layer being fire retardant materials. This composite vastly improves the insulation qualities and overall strength of the product.

All Six Eleven Limited, Inc. products are manufactured in accordance with the strictest quality control measures utilizing state of the art resources and materials. However, there may be slight differences in tolerances (+ or - 1/8th of an inch), colors, hues, and patterns due to the nature of the materials used.

All information contained on this specification sheet is the property of Six Eleven Limited, Inc. and is furnished for use in operation, repair and maintenance of Six Eleven Limited products. Its reproduction for use in any way or purpose without prior written permission is forbidden. All rights on this material are reserved.