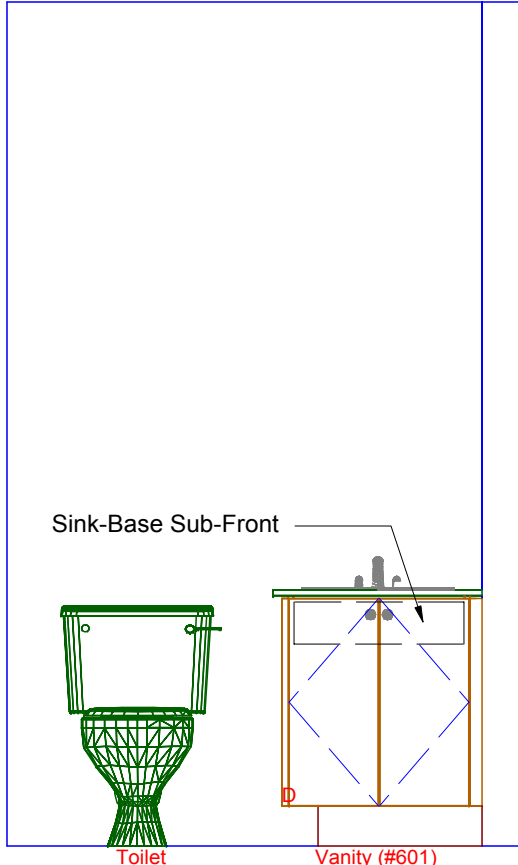
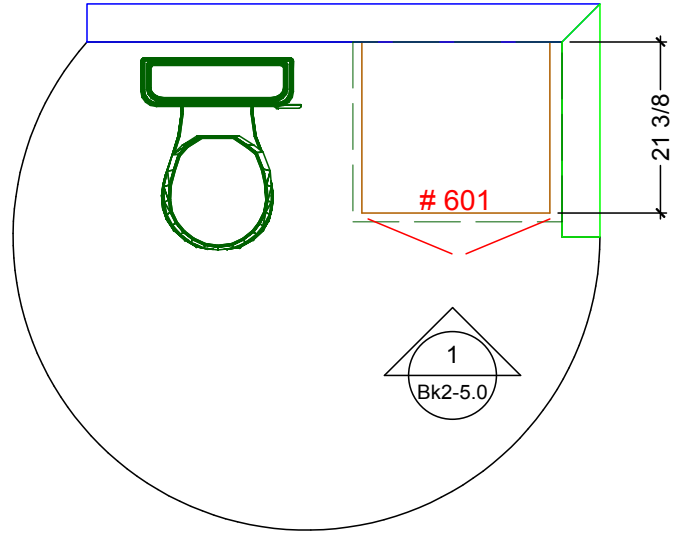


-----105 1/2-----
 -----73 1/2-----
 -----73 1/2-----
 -----27-----
 -----26 1/4-----
 -----3/4-----



-----34 3/8-----
 *-----23 1/2-----**
 -----59 3/8-----
 1 1/2

1 BATH-KITCH 02-05 ELEVATION
 SCALE: 1/2" = 1' 0"



BATH-KITCH 02-05 CABINETRY FLOOR PLAN
 SCALE: 1/2" = 1' 0"

Classic Bath Designs, Inc.
 11544 Sheldon St., Sun Valley, CA 91352
 818.767.1144 fax: 818.767.1278



Cust: 1128 Ogden	PO# DWELLING	Scale: As Noted	BATH-Kitch #02-#05	Bk2-5.0
Approved _____	Job: FL-S_POs_PreFIN/PreFIN_IntEB:PreFIN	Size: A	Dr By: Brian 03/31/2015	



Classic Bath Designs, Inc.
 11544 Sheldon St., Sun Valley, CA 91352
 818.767.1144 fax: 818.767.1278



Cust: 1128 Ogden

PO# DWELLING

Scale: As Noted

BATH-Kitch #02-#05

Approved _____

Job: FL-S_POs_PreFIN/PreFIN_IntEB:PreFIN

Size: A

Dr By: Brian

03/31/2015

Rndr