

KITCHEN CABINETRY FLOOR PLAN

SCALE: 1/4" = 1' 0"

Classic Bath Designs, Inc.
 11544 Sheldon St., Sun Valley, CA 91352
 818.767.1144 fax: 818.767.1278



Cust: **Leiter**

PO# **KITCHEN**

Scale: **As Noted**

Room

Approved _____

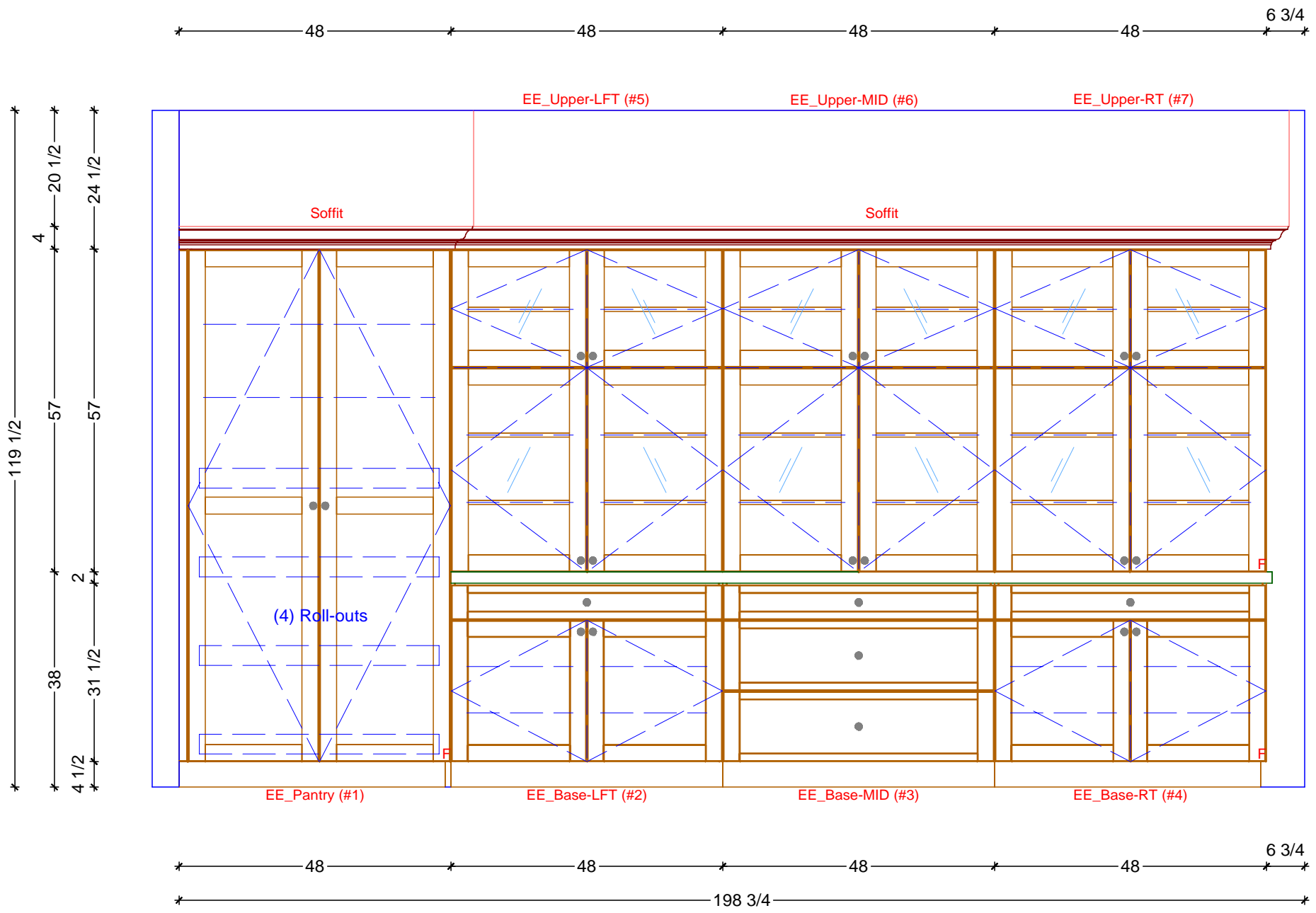
Job: **FL-S_PreFIN/PG:perSample_IntEB:PreFIN**

Size: A

Dr By: **Brian**

09/16/2016

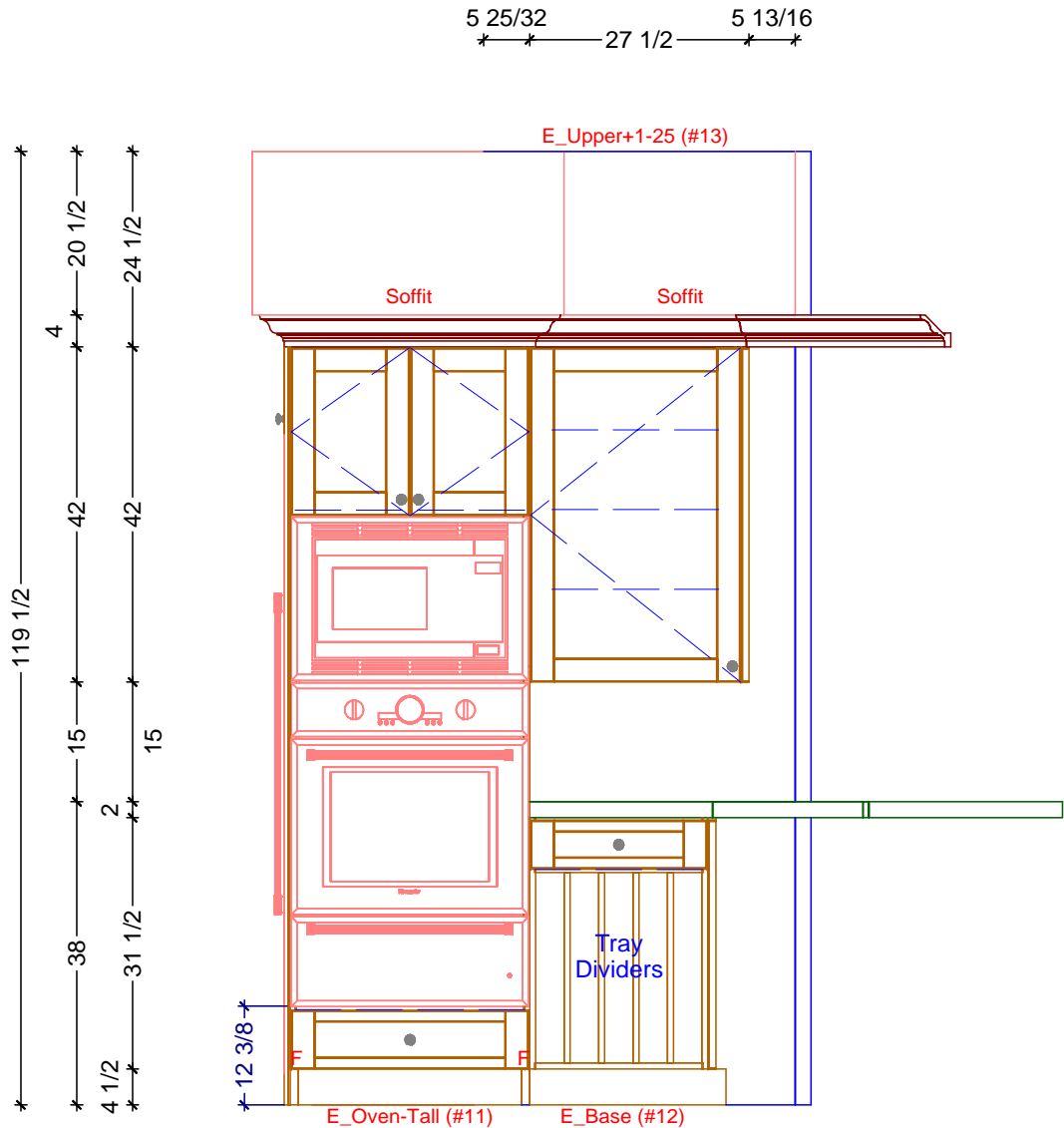
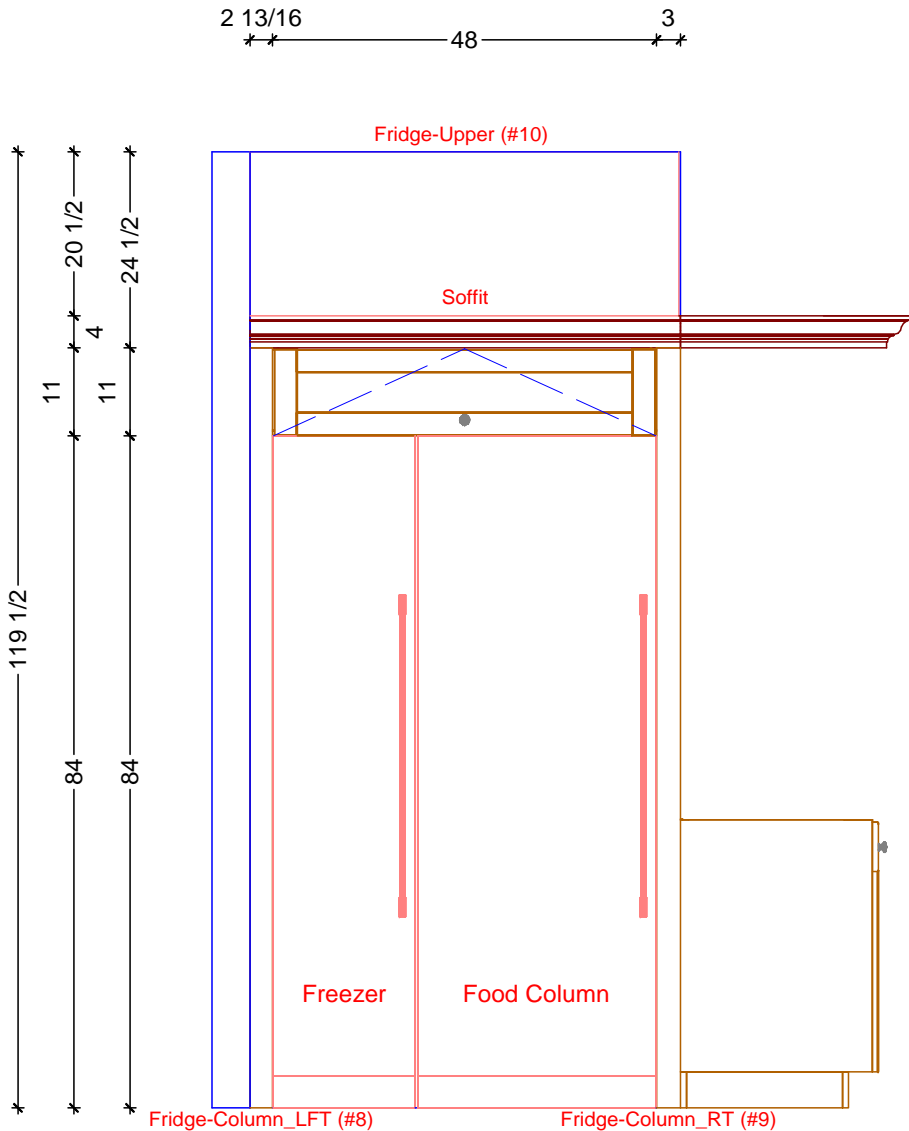
K.0



1 KITCHEN ELEVATION - PANTRY RUN
 SCALE: 1/2" = 1' 0"

Classic Bath Designs, Inc.
 11544 Sheldon St., Sun Valley, CA 91352
 818.767.1144 fax: 818.767.1278

Cust: Leiter	PO# KITCHEN	Scale: As Noted	Room	K.1
Approved _____	Job: FL-S_PreFIN/PG:perSample_IntEB:PreFIN	Size: A	Dr By: Brian 09/16/2016	



2 13/16 3
 *** 48 ***
 *** 53 13/16 ***

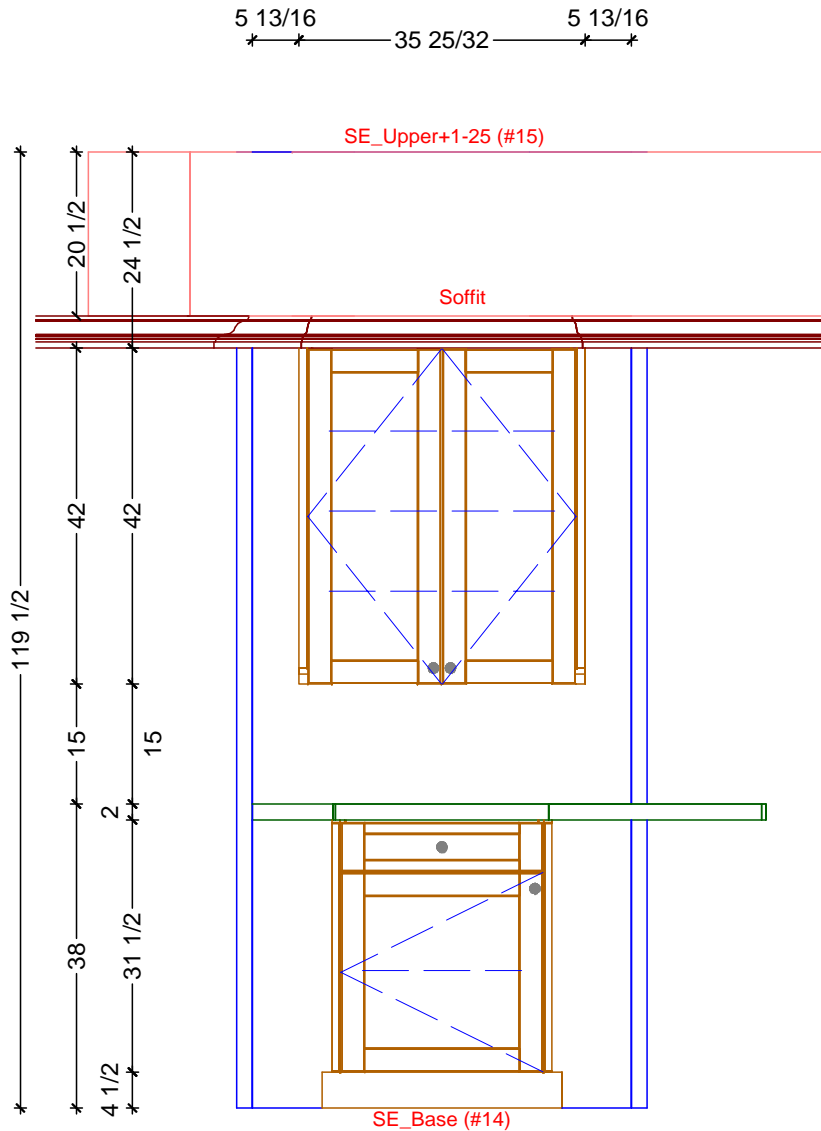
5 25/32 5 13/16
 *** 27 1/2 ***
 *** 24 7/32 23 11/32 15/16 ***
 *** 39 1/16 ***

1 KITCHEN ELEVATION - FRIDGE AND OVEN RUNS
 SCALE: 1/2" = 1' 0"

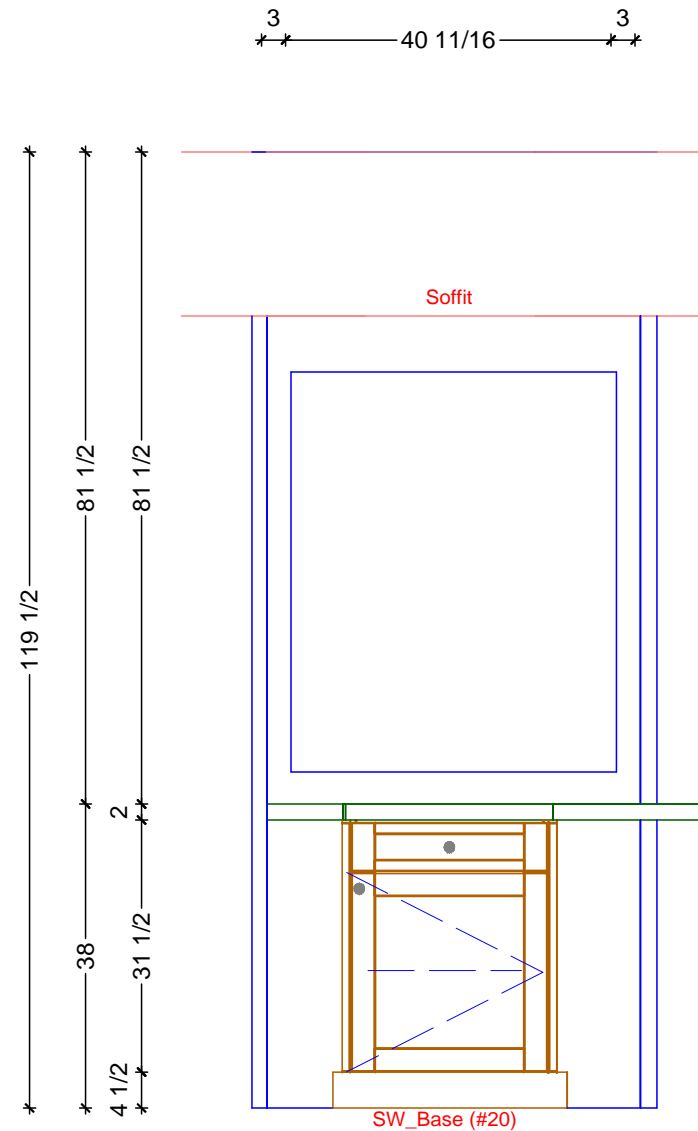
2

Classic Bath Designs, Inc.
 11544 Sheldon St., Sun Valley, CA 91352
 818.767.1144 fax: 818.767.1278

Cust: Leiter	PO# KITCHEN	Scale: As Noted	Room	K.2
Approved _____	Job: FL-S_PreFIN/PG:perSample_IntEB:PreFIN	Size: A	Dr By: Brian 09/16/2016	



Ø 15/16 — 27 1/2 — Ø 15/16
 * — 47 3/8 — *



* 9 1/2 * — 26 13/16 — * 10 3/8 *
 * — 46 11/16 — *

1 KITCHEN ELEVATION - SE & SW SPLAYS
 SCALE: 1/2" = 1' 0"

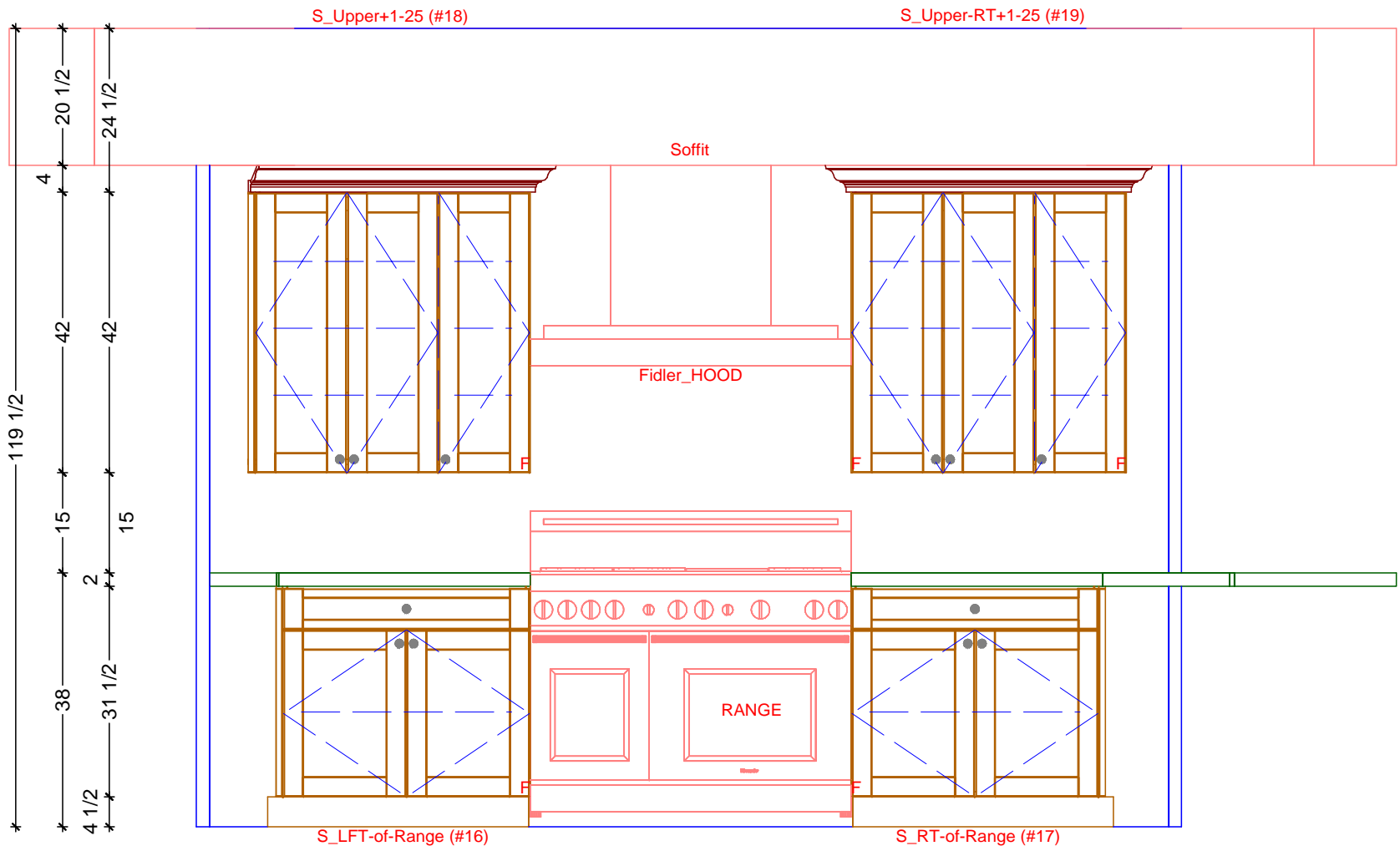
2

Classic Bath Designs, Inc.
 11544 Sheldon St., Sun Valley, CA 91352
 818.767.1144 fax: 818.767.1278



Cust: Leiter	PO# KITCHEN	Scale: As Noted	Room	K.3
Approved _____	Job: FL-S_PreFIN/PG:perSample_IntEB:PreFIN	Size: A	Dr By: Brian 09/16/2016	

5 13/16 42 3/16 48 41 3/16 6 11/32



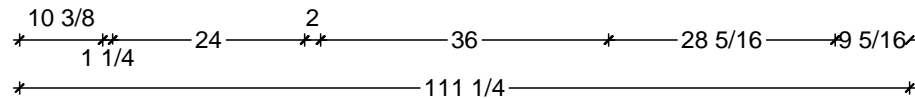
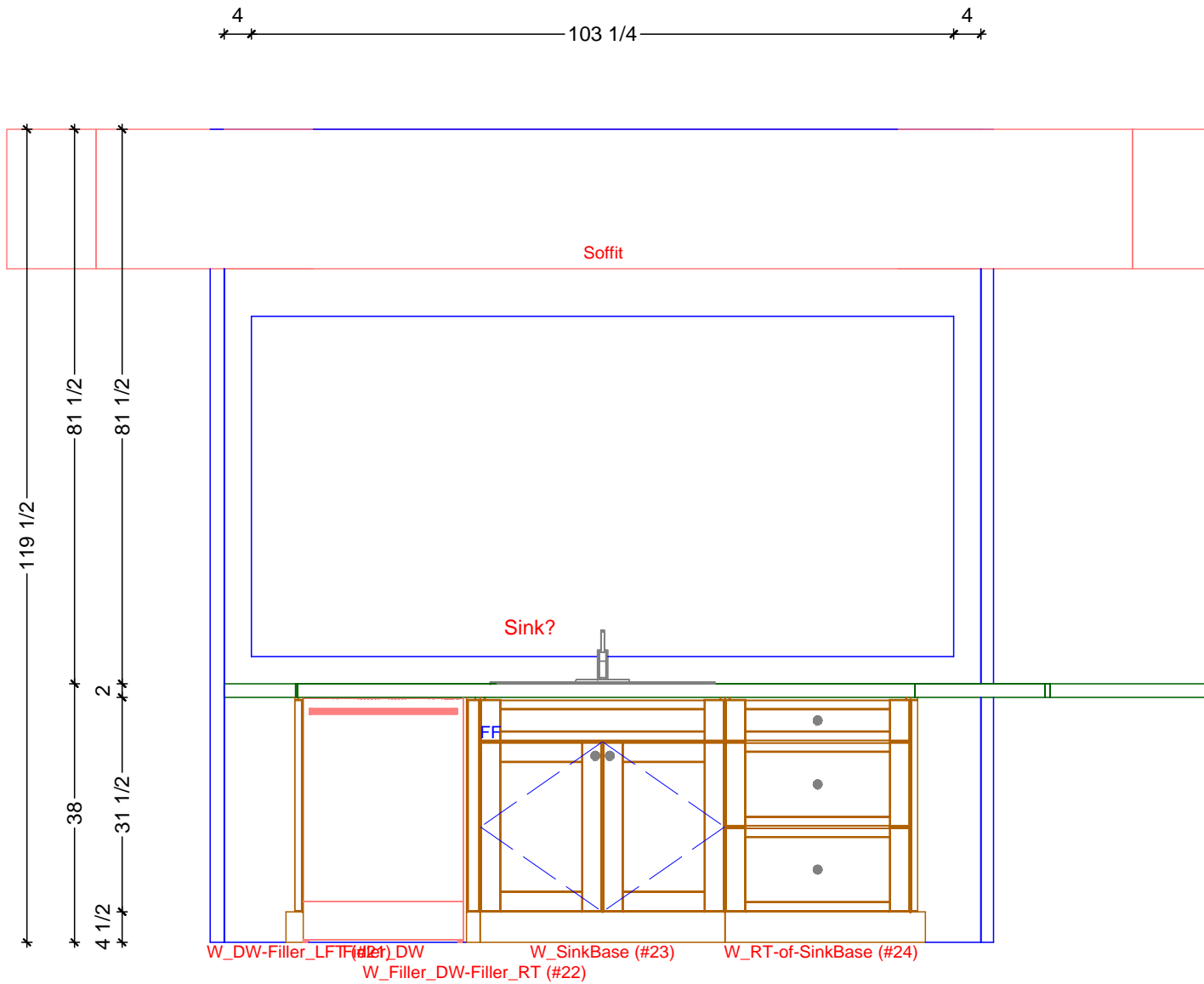
Ø 15/16 38 1/16 48 38 1/16 9 1/2

143 9/16

1 KITCHEN ELEVATION - RANGE RUN
SCALE: 1/2" = 1' 0"

Classic Bath Designs, Inc.
11544 Sheldon St., Sun Valley, CA 91352
818.767.1144 fax: 818.767.1278

Cust: Leiter	PO# KITCHEN	Scale: As Noted	Room	K.4
Approved _____	Job: FL-S_PreFIN/PG:perSample_IntEB:PreFIN	Size: A	Dr By: Brian 09/16/2016	

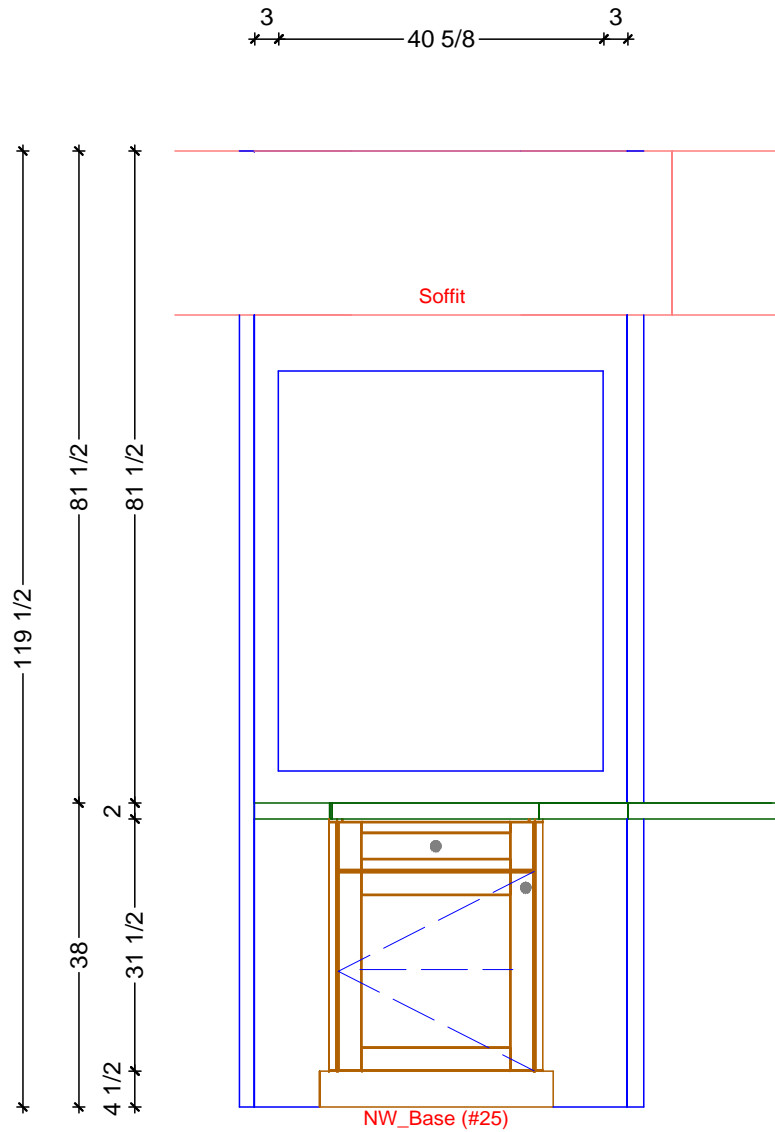


1 KITCHEN ELEVATION - SINK RUN
SCALE: 1/2" = 1' 0"

Classic Bath Designs, Inc.
11544 Sheldon St., Sun Valley, CA 91352
818.767.1144 fax: 818.767.1278

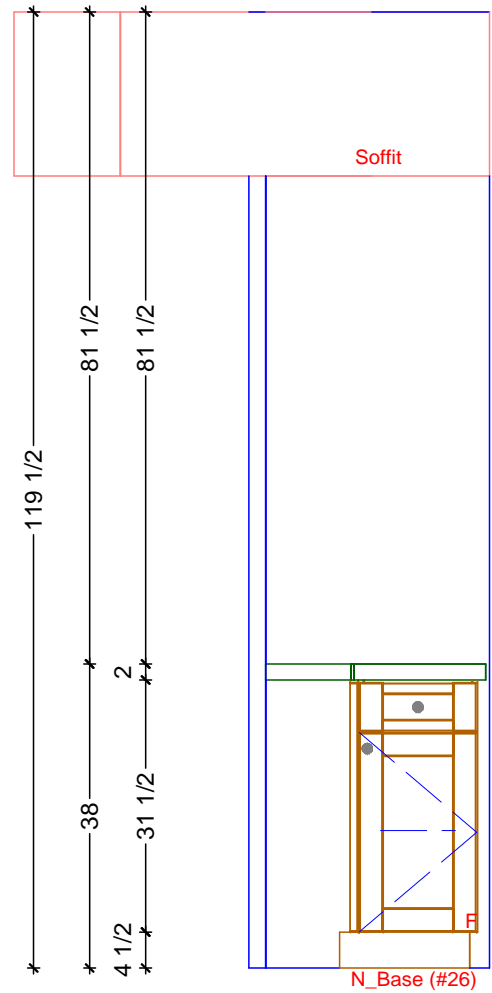


Cust: Leiter	PO# KITCHEN	Scale: As Noted	Room	K.5
Approved _____	Job: FL-S_PreFIN/PG:perSample_IntEB:PreFIN	Size: A	Dr By: Brian 09/16/2016	



$9 \frac{5}{16}$ — $26 \frac{23}{32}$ — $10 \frac{9}{16}$
 $46 \frac{5}{8}$

1 KITCHEN ELEVATION - WALLS RIGHT OF SINK RUN
 SCALE: 1/2" = 1' 0"



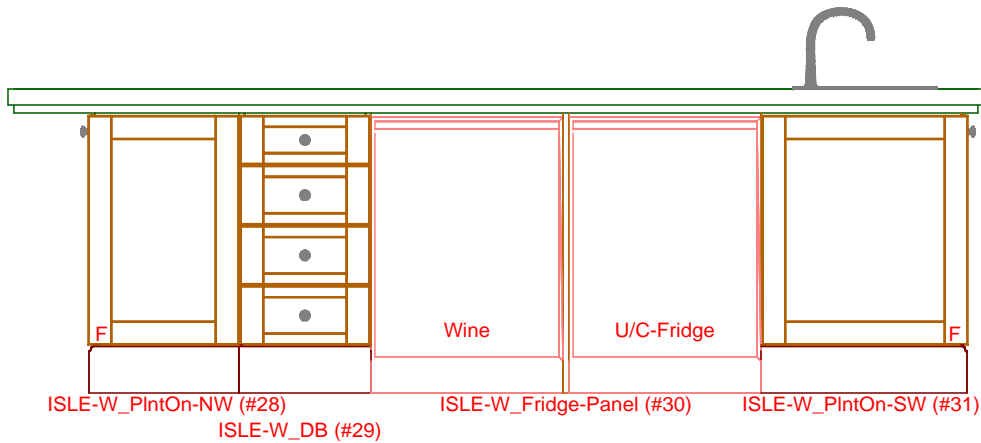
$10 \frac{9}{16}$ — $1 \frac{1}{2}$
 $15 \frac{15}{16}$
 28

2

Classic Bath Designs, Inc.
 11544 Sheldon St., Sun Valley, CA 91352
 818.767.1144 fax: 818.767.1278

Cust: Leiter	PO# KITCHEN	Scale: As Noted	Room	K.6
Approved _____	Job: FL-S_PreFIN/PG:perSample_IntEB:PreFIN	Size: A	Dr By: Brian 09/16/2016	

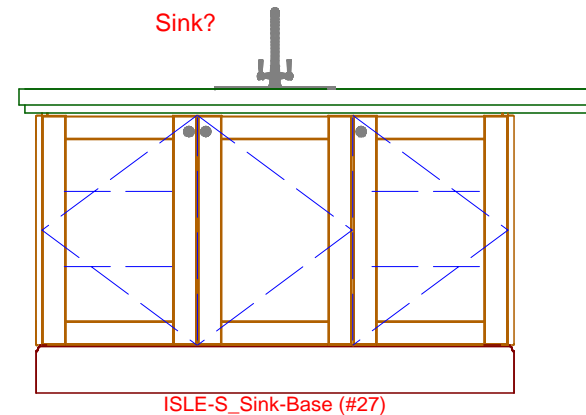
38
6
3
29



18 16 1/2 24 3/4 24 25
108 1/4

1 KITCHEN ELEVATION - ISLE WEST
SCALE: 1/2" = 1' 0"

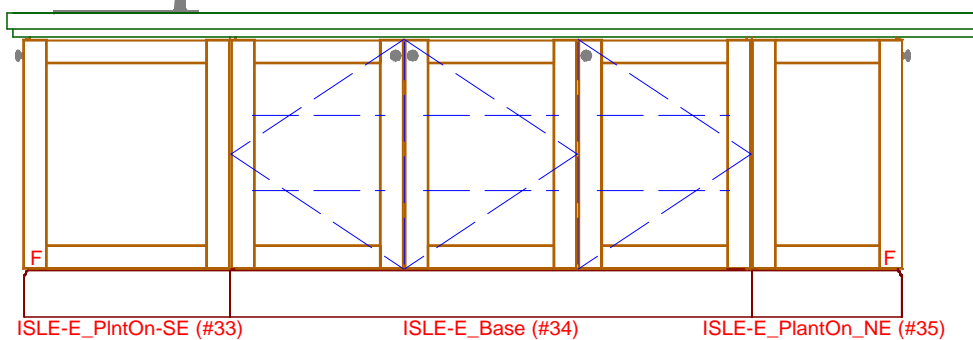
Sink?



58 1/4
58 1/4

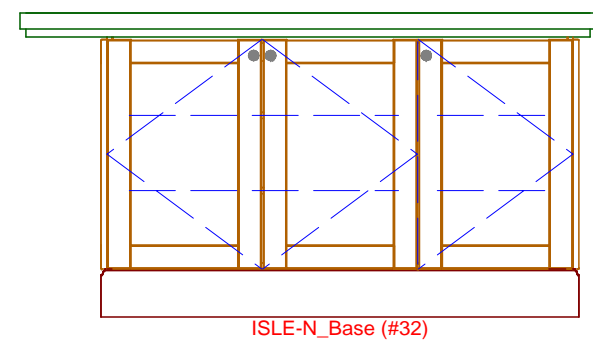
2 KITCHEN ELEVATION - ISLE SOUTH
SCALE: 1/2" = 1' 0"

38
6
3
29



25 65 1/4 18
108 1/4

3 KITCHEN ELEVATION - ISLE EAST
SCALE: 1/2" = 1' 0"



58 1/4
58 1/4

4 KITCHEN ELEVATION - ISLE NORTH
SCALE: 1/2" = 1' 0"

Classic Bath Designs, Inc.
11544 Sheldon St., Sun Valley, CA 91352
818.767.1144 fax: 818.767.1278



Cust: Leiter	PO# KITCHEN	Scale: As Noted	Room	K.7
Approved _____	Job: FL-S_PreFIN/PG:perSample_IntEB:PreFIN	Size: A	Dr By: Brian 09/16/2016	



Classic Bath Designs, Inc.
 11544 Sheldon St., Sun Valley, CA 91352
 818.767.1144 fax: 818.767.1278



Cust: Leiter	PO# KITCHEN	Scale: As Noted	Room	Rndr
Approved _____	Job: FL-S_PreFIN/PG:perSample_IntEB:PreFIN	Size: A	Dr By: Brian	



Classic Bath Designs, Inc.
 11544 Sheldon St., Sun Valley, CA 91352
 818.767.1144 fax: 818.767.1278



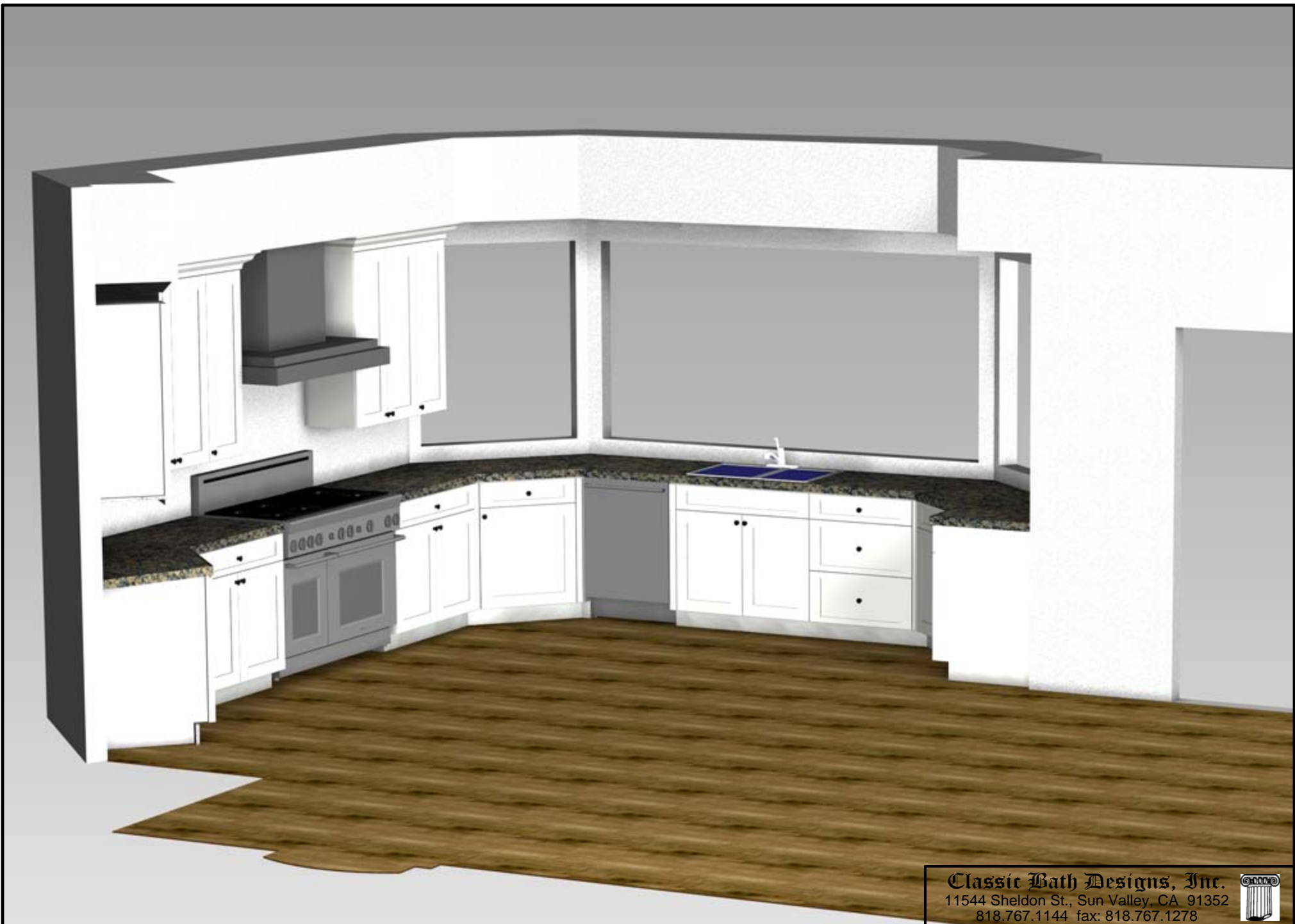
Cust: Leiter	PO# KITCHEN	Scale: As Noted	Room	Rndr
Approved _____	Job: FL-S_PreFIN/PG:perSample_IntEB:PreFIN	Size: A	Dr By: Brian	



Classic Bath Designs, Inc.
 11544 Sheldon St., Sun Valley, CA 91352
 818.767.1144 fax: 818.767.1278



Cust: Leiter	PO# KITCHEN	Scale: As Noted	Room	Rndr
Approved _____	Job: FL-S_PreFIN/PG:perSample_IntEB:PreFIN	Size: A	Dr By: Brian	



Classic Bath Designs, Inc.
 11544 Sheldon St., Sun Valley, CA 91352
 818.767.1144 fax: 818.767.1278



Cust: Leiter	PO# KITCHEN	Scale: As Noted	Room	Rndr
Approved _____	Job: FL-S_PreFIN/PG:perSample_IntEB:PreFIN	Size: A	Dr By: Brian	



Classic Bath Designs, Inc.
 11544 Sheldon St., Sun Valley, CA 91352
 818.767.1144 fax: 818.767.1278



Cust: Leiter	PO# KITCHEN	Scale: As Noted	Room
Approved _____	Job: FL-S_PreFIN/PG:perSample_IntEB:PreFIN	Size: A	Dr By: Brian 09/16/2016

Rndr