

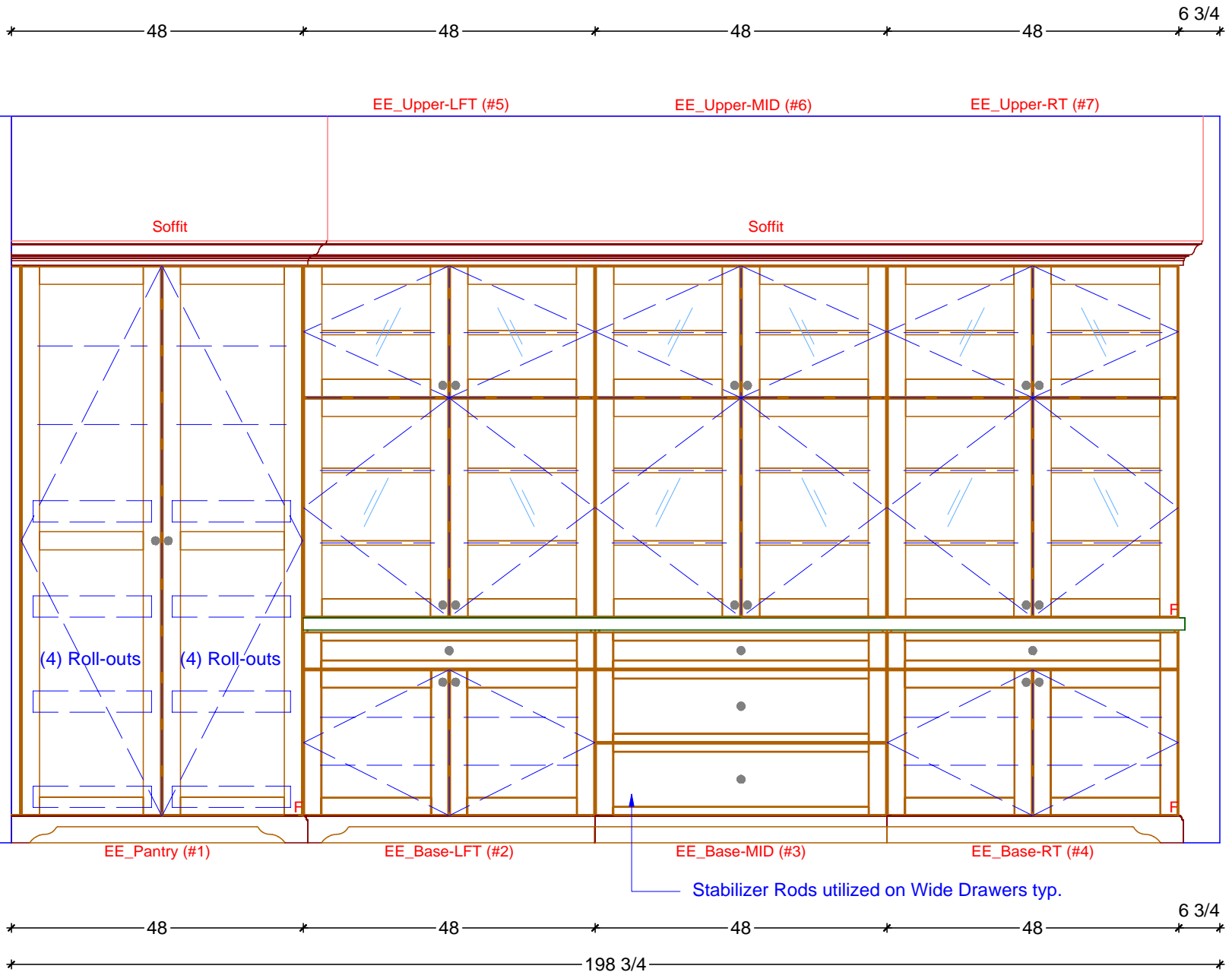
KITCHEN CABINETRY FLOOR PLAN

SCALE: 1/4" = 1' 0"

**Classic Bath Designs, Inc.**  
 11544 Sheldon St., Sun Valley, CA 91352  
 818.767.1144 fax: 818.767.1278



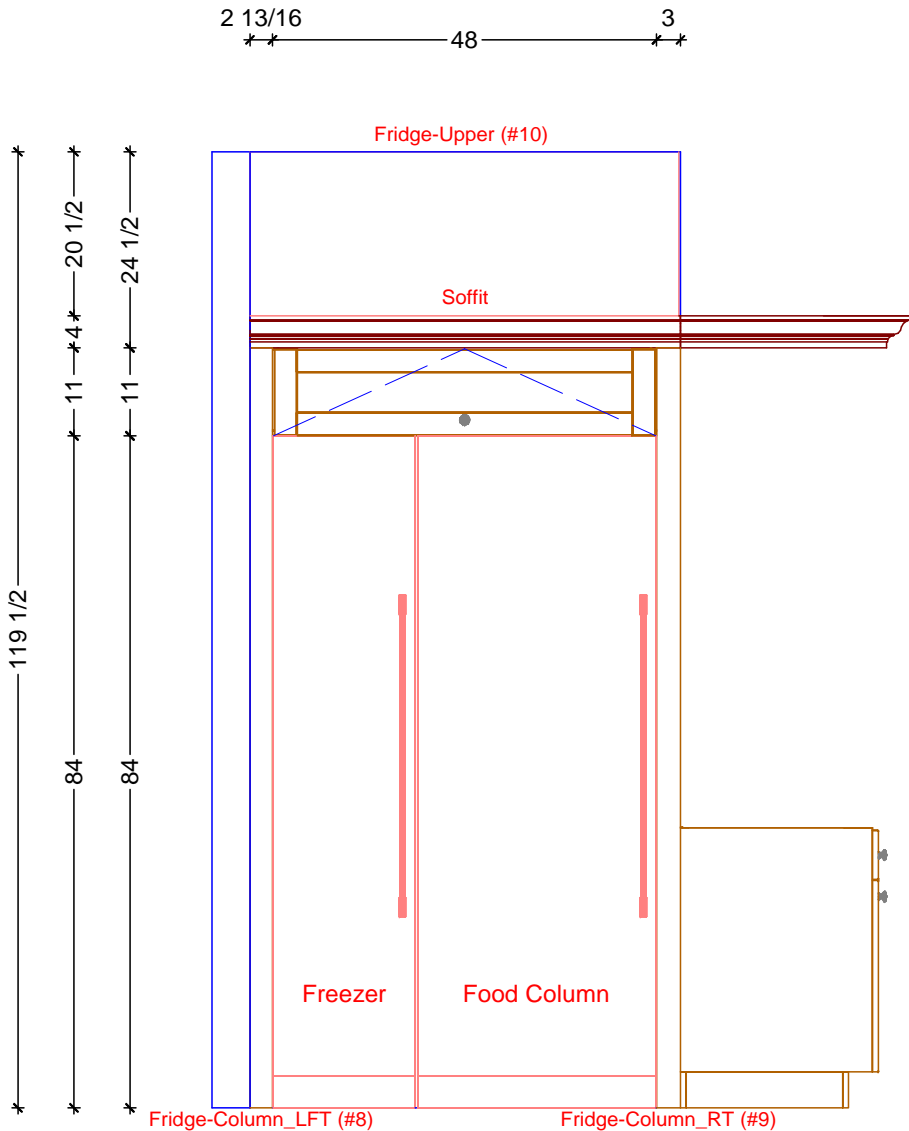
Cust: <b>Fidler</b>	PO# <b>KITCHEN</b>	Scale: <b>As Noted</b>	Room	<b>K.0</b>
Approved _____	Job: <b>FL-S_PreFIN/PG:perSample_IntEB:PreFIN</b>	<b>Size: A</b>	Dr By: <b>Brian</b> 09/20/2016	



**1** KITCHEN ELEVATION - PANTRY RUN  
SCALE: 1/2" = 1' 0"

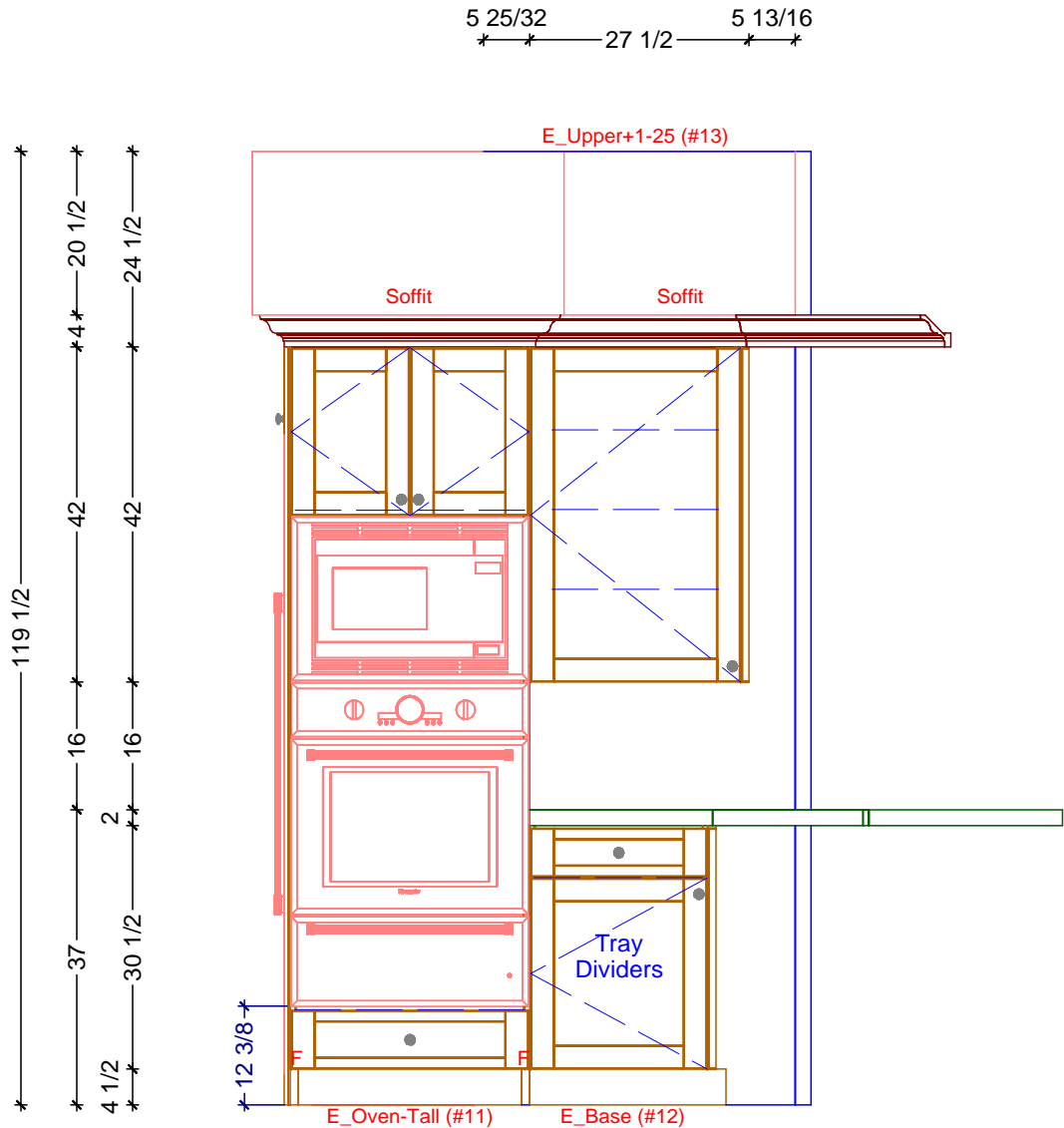
**Classic Bath Designs, Inc.**  
11544 Sheldon St., Sun Valley, CA 91352  
818.767.1144 fax: 818.767.1278

Cust: <b>Fidler</b>	PO# <b>KITCHEN</b>	Scale: <b>As Noted</b>	Room	<b>K.1</b>
Approved _____	Job: <b>FL-S_PreFIN/PG:perSample_IntEB:PreFIN</b>	<b>Size: A</b>	Dr By: <b>Brian</b> 09/20/2016	



2 13/16      3  
 \*\*\*      \*\*\*  
 48  
 \*\*\*      \*\*\*  
 53 13/16

1 KITCHEN ELEVATION - FRIDGE AND OVEN RUNS  
 SCALE: 1/2" = 1' 0"



5 25/32      5 13/16  
 \*\*\*      \*\*\*  
 27 1/2  
 \*\*\*      \*\*\*  
 39 1/16

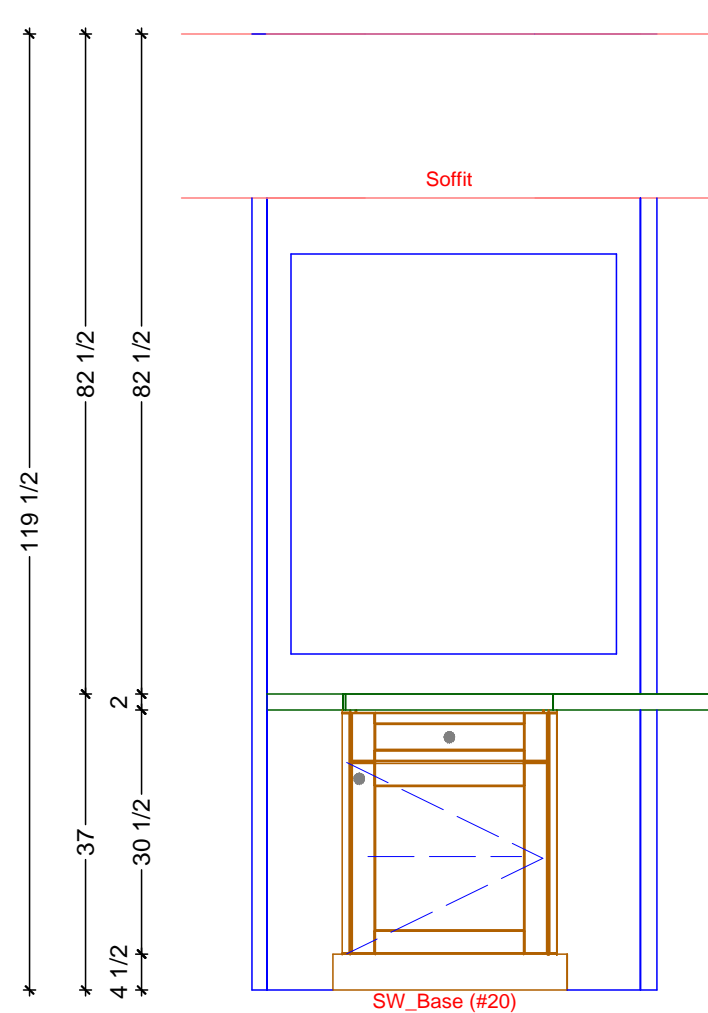
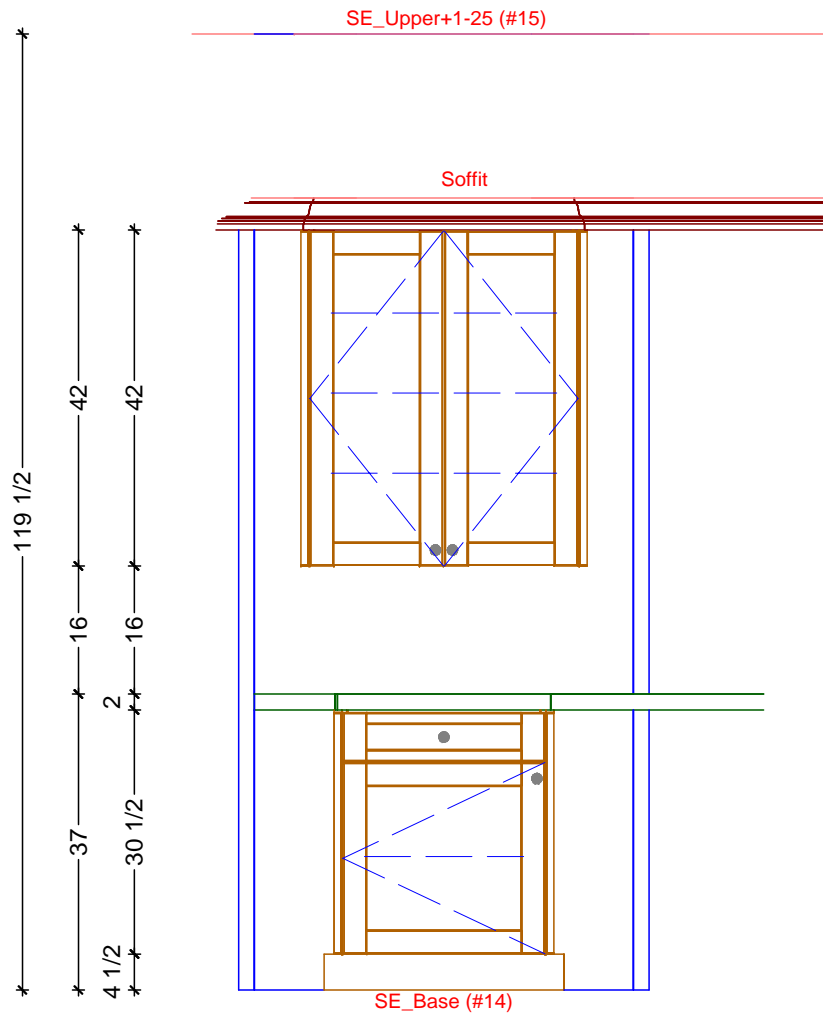
2

**Classic Bath Designs, Inc.**  
 11544 Sheldon St., Sun Valley, CA 91352  
 818.767.1144 fax: 818.767.1278

Cust: <b>Fidler</b>	PO# <b>KITCHEN</b>	Scale: <b>As Noted</b>	Room	<b>K.2</b>
Approved _____	Job: <b>FL-S_PreFIN/PG:perSample_IntEB:PreFIN</b>	<b>Size: A</b>	Dr By: <b>Brian</b> 09/20/2016	

5 13/16      5 13/16  
 \* \*      35 25/32      \* \* \*

3      3  
 \* \*      40 11/16      \* \* \*



9 15/16      9 15/16  
 \* \*      27 1/2      \* \* \*

\*      47 3/8      \*

\* 9 1/2 \*      26 13/16      \* 10 3/8 \*

\*      46 11/16      \*

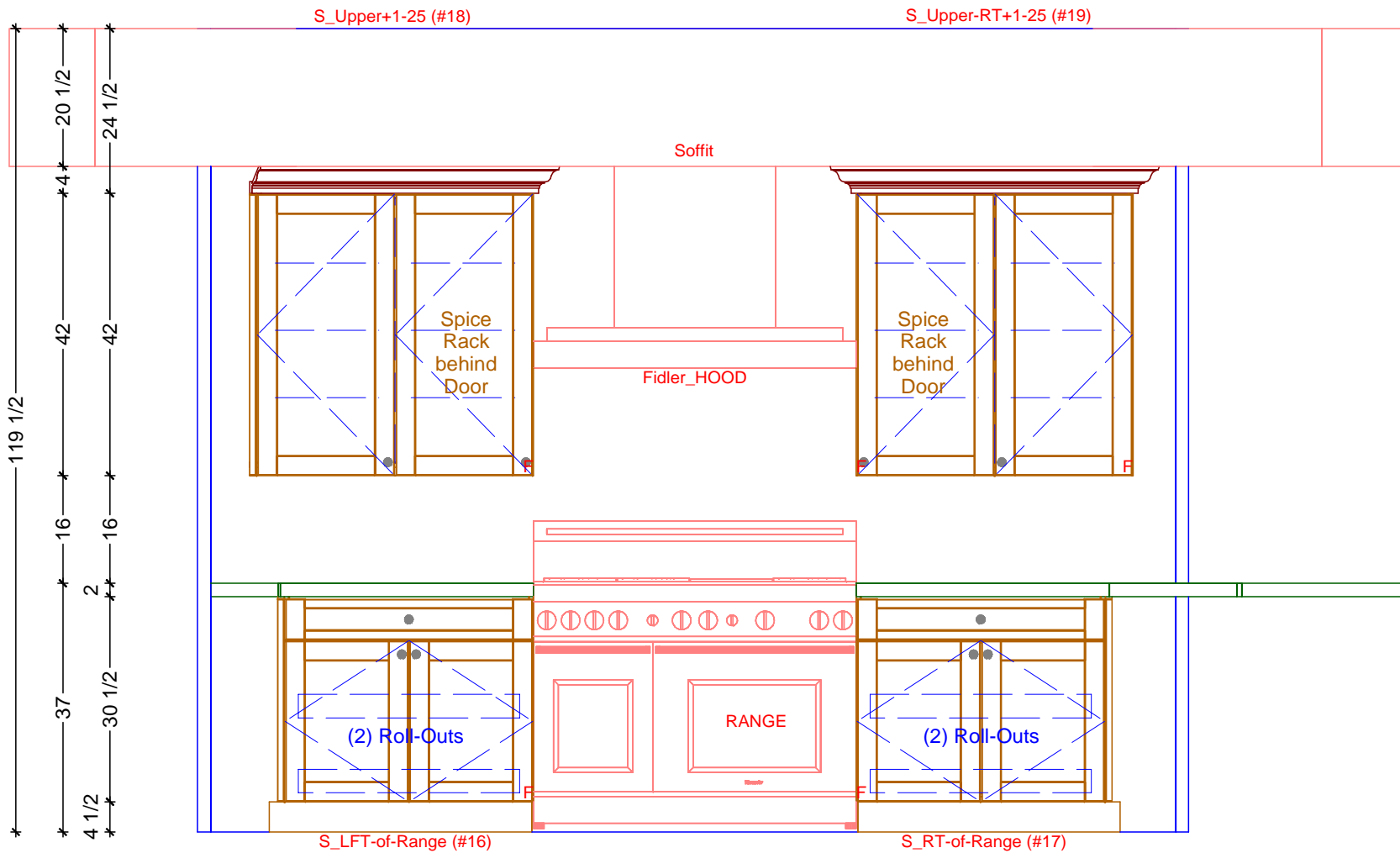
1 KITCHEN ELEVATION - SE & SW SPLAYS  
 SCALE: 1/2" = 1' 0"

2

**Classic Bath Designs, Inc.**  
 11544 Sheldon St., Sun Valley, CA 91352  
 818.767.1144 fax: 818.767.1278

Cust: Fidler	PO# KITCHEN	Scale: As Noted	Room	K.3
Approved _____	Job: FL-S_PreFIN/Pg:perSample_IntEB:PreFIN	Size: A	Dr By: Brian 09/20/2016	

5 13/16      42 3/16      48      41 3/16      6 11/32



9 15/16      38 1/16      48      38 1/16      9 1/2

143 9/16

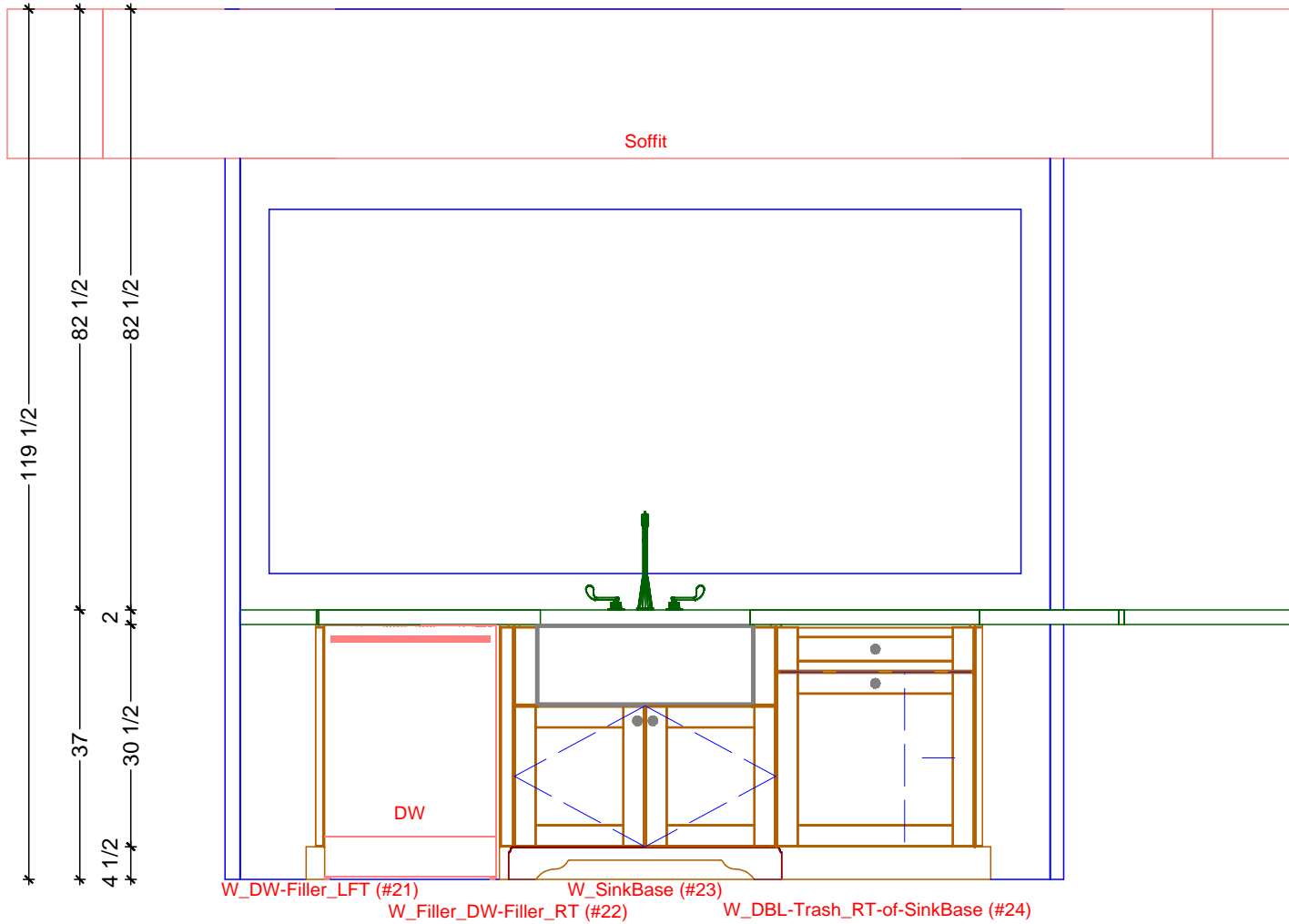
1 KITCHEN ELEVATION - RANGE RUN  
SCALE: 1/2" = 1' 0"

**Classic Bath Designs, Inc.**  
11544 Sheldon St., Sun Valley, CA 91352  
818.767.1144 fax: 818.767.1278

Cust: <b>Fidler</b>	PO# <b>KITCHEN</b>	Scale: <b>As Noted</b>	Room
Approved _____	Job: <b>FL-S_PreFIN/PG:perSample_IntEB:PreFIN</b>	Size: <b>A</b>	Dr By: <b>Brian</b> 09/20/2016

**K.4**

\*4\* 103 1/4 \*4\*



119 1/2  
 82 1/2  
 82 1/2  
 2  
 37  
 30 1/2  
 4 1/2

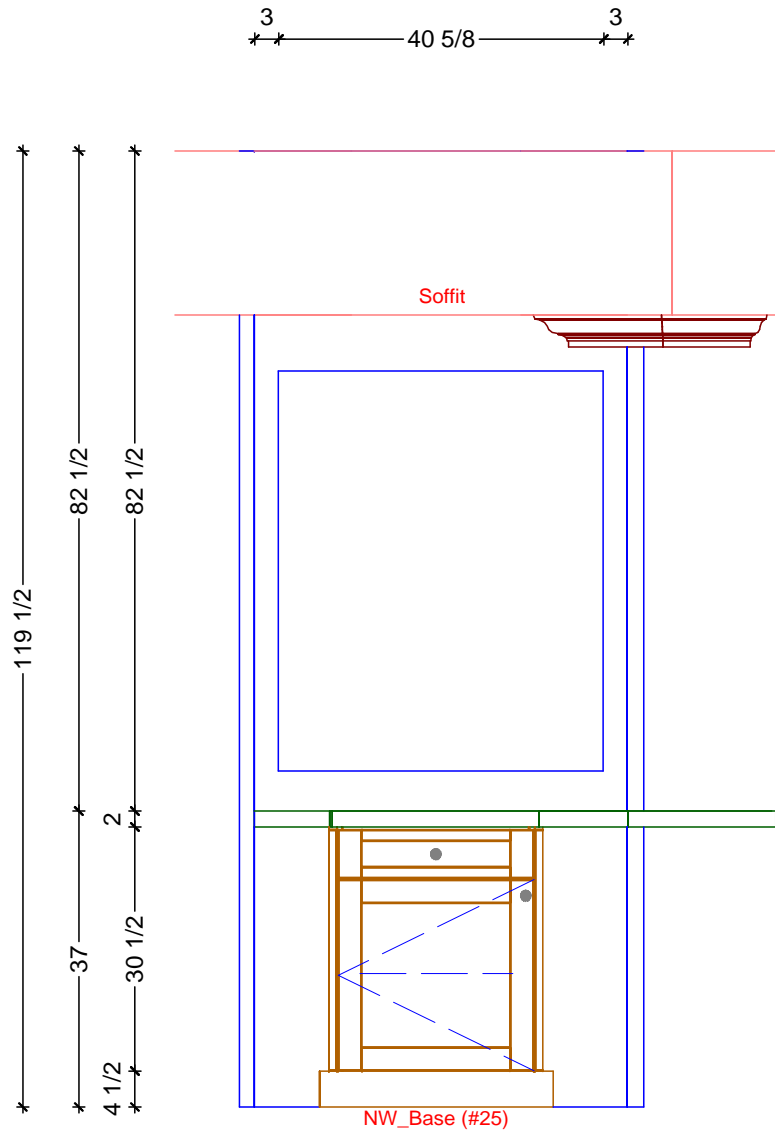
1 1/4 2 9 5/16  
 \*10 3/8\*\* 24 \*\* 36 \* 28 5/16 \*  
 \* 111 1/4 \*

1 KITCHEN ELEVATION - SINK RUN  
 SCALE: 1/2" = 1' 0"

**Classic Bath Designs, Inc.**  
 11544 Sheldon St., Sun Valley, CA 91352  
 818.767.1144 fax: 818.767.1278



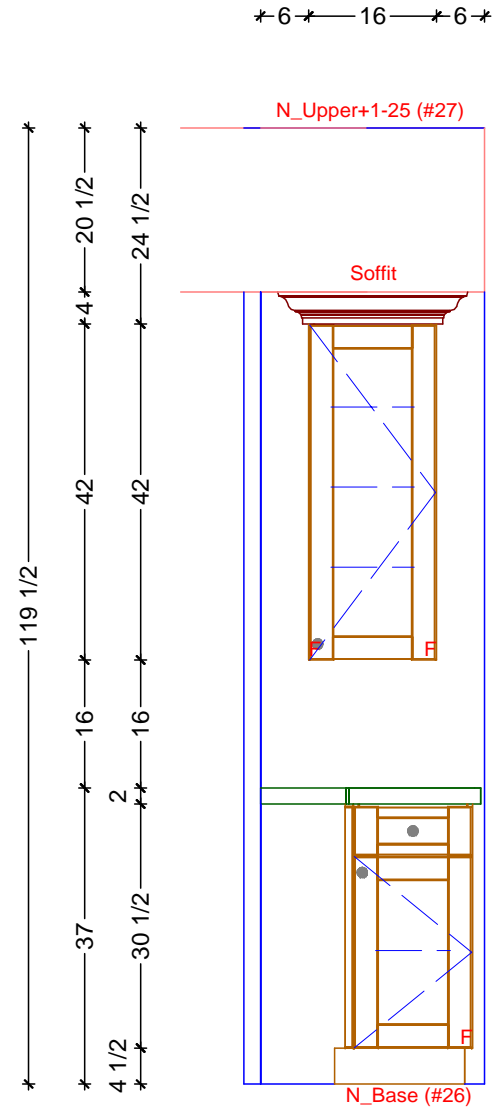
Cust: Fidler	PO# KITCHEN	Scale: As Noted	Room	K.5
Approved _____	Job: FL-S_PreFIN/PG:perSample_IntEB:PreFIN	Size: A	Dr By: Brian 09/20/2016	



9 5/16      10 9/16  
\* \* 26 23/32 \* \*

46 5/8

1 KITCHEN ELEVATION - WALLS RIGHT OF SINK RUN  
SCALE: 1/2" = 1' 0"



10 9/16      1 1/2  
\* \* 15 15/16 \* \*

28

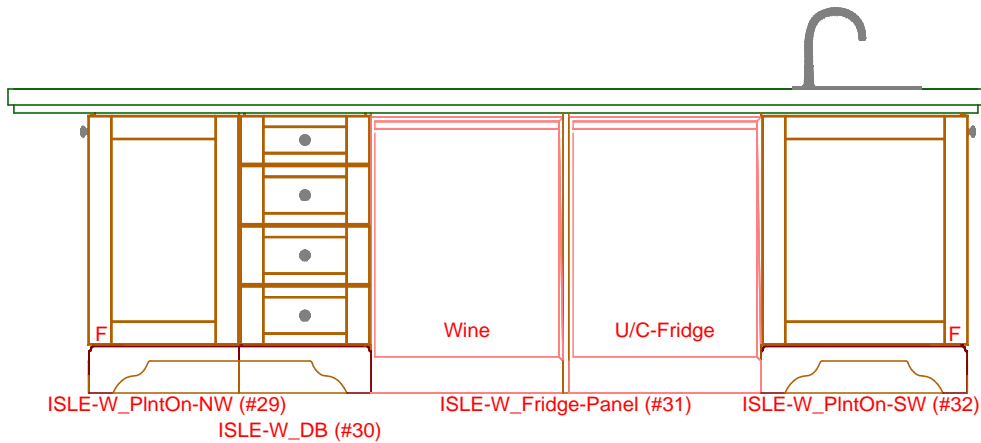
2

**Classic Bath Designs, Inc.**  
11544 Sheldon St., Sun Valley, CA 91352  
818.767.1144 fax: 818.767.1278



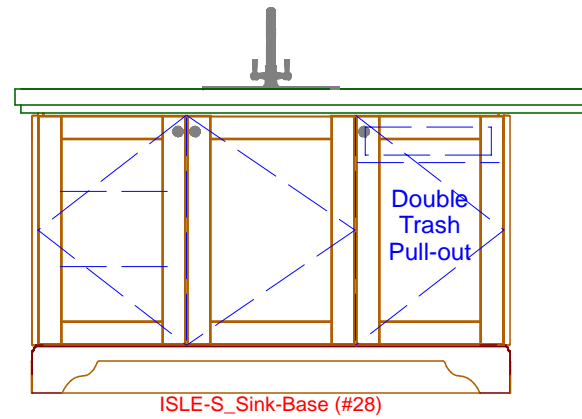
Cust: Fidler	PO# KITCHEN	Scale: As Noted	Room	K.6
Approved _____	Job: FL-S_PreFIN/PG:perSample_IntEB:PreFIN	Size: A	Dr By: Brian 09/20/2016	

38  
3  
29  
6



18 16 1/2 24 3/4 24 25  
108 1/4

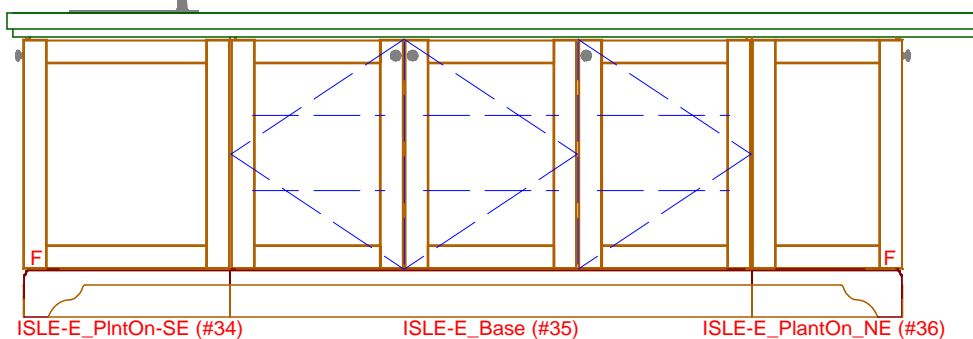
1 KITCHEN ELEVATION - ISLE WEST  
SCALE: 1/2" = 1' 0"



58 1/4  
58 1/4

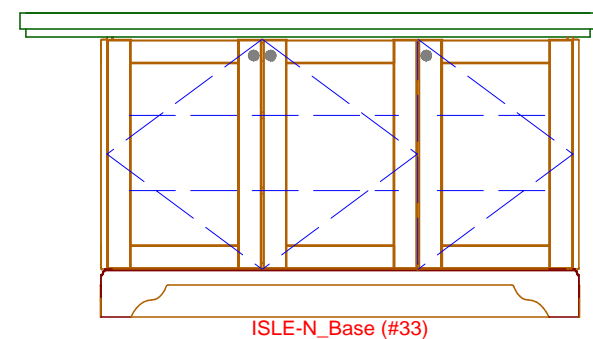
2 KITCHEN ELEVATION - ISLE SOUTH  
SCALE: 1/2" = 1' 0"

38  
3  
29  
6



25 65 1/4 18  
108 1/4

3 KITCHEN ELEVATION - ISLE EAST  
SCALE: 1/2" = 1' 0"



58 1/4  
58 1/4

4 KITCHEN ELEVATION - ISLE NORTH  
SCALE: 1/2" = 1' 0"

**Classic Bath Designs, Inc.**  
11544 Sheldon St., Sun Valley, CA 91352  
818.767.1144 fax: 818.767.1278

Cust: Fidler	PO# KITCHEN	Scale: As Noted	Room	K.7
Approved _____	Job: FL-S_PreFIN/PG:perSample_IntEB:PreFIN	Size: A	Dr By: Brian 09/20/2016	





**Classic Bath Designs, Inc.**  
 11544 Sheldon St., Sun Valley, CA 91352  
 818.767.1144 fax: 818.767.1278



Cust: Fidler	PO# KITCHEN	Scale: As Noted	Room	<b>Rndr</b>
Approved _____	Job: FL-S_PreFIN/PG:perSample_IntEB:PreFIN	Size: A	Dr By: Brian	



**Classic Bath Designs, Inc.**  
 11544 Sheldon St., Sun Valley, CA 91352  
 818.767.1144 fax: 818.767.1278



Cust: Fidler	PO# KITCHEN	Scale: As Noted	Room
Approved _____	Job: FL-S_PreFIN/PG:perSample_IntEB:PreFIN	Size: A	Dr By: Brian 09/20/2016

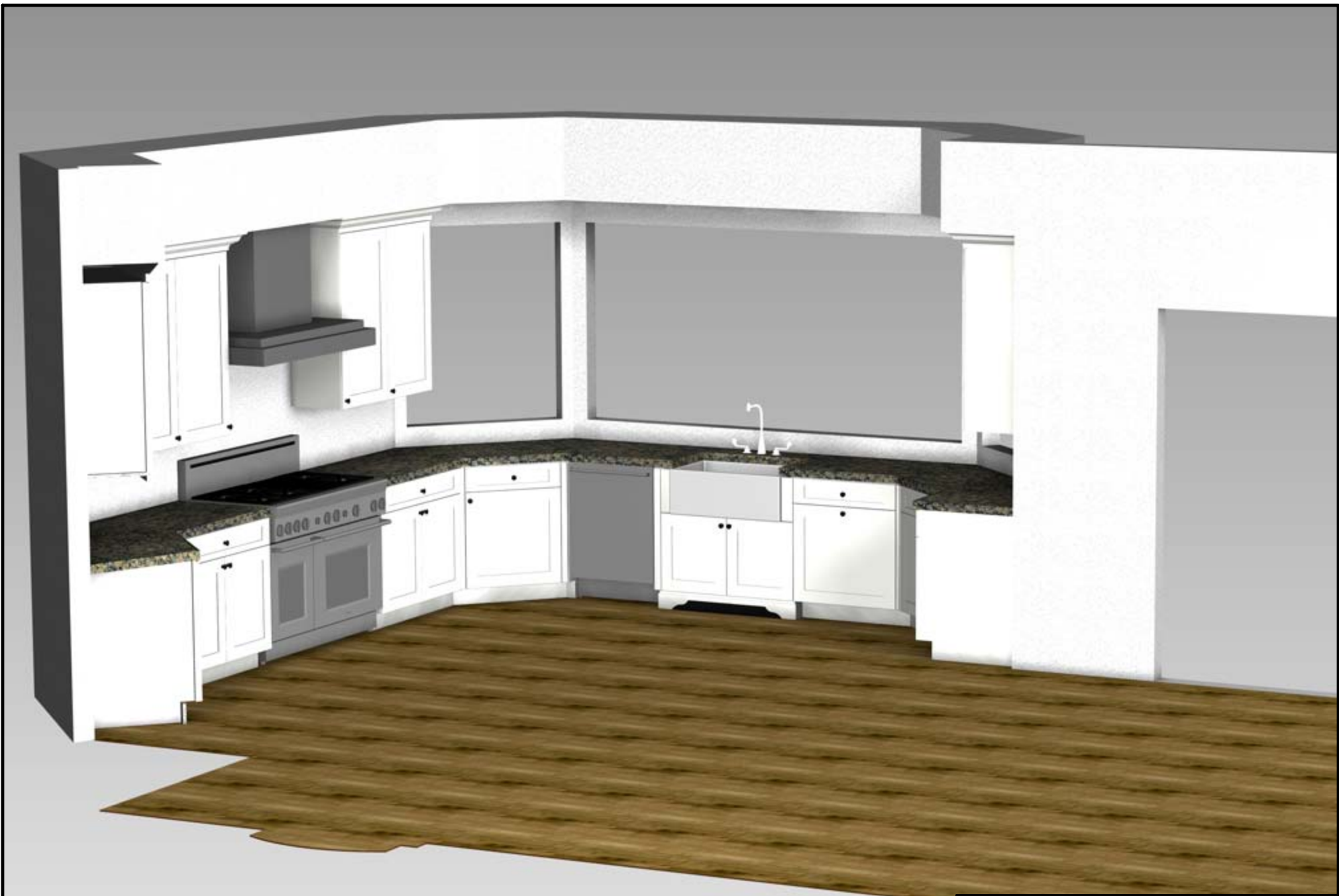
**Rndr**



**Classic Bath Designs, Inc.**  
 11544 Sheldon St., Sun Valley, CA 91352  
 818.767.1144 fax: 818.767.1278



Cust: Fidler	PO# KITCHEN	Scale: As Noted	Room		
Approved _____	Job: FL-S_PreFIN/PG:perSample_IntEB:PreFIN	Size: A	Dr By: Brian	09/20/2016	Rndr



**Classic Bath Designs, Inc.**  
 11544 Sheldon St., Sun Valley, CA 91352  
 818.767.1144 fax: 818.767.1278



Cust: <b>Fidler</b>	PO# <b>KITCHEN</b>	Scale: <b>As Noted</b>	Room	<b>Rndr</b>
Approved _____	Job: <b>FL-S_PreFIN/PG:perSample_IntEB:PreFIN</b>	<b>Size: A</b>	Dr By: <b>Brian</b>	



**Classic Bath Designs, Inc.**  
 11544 Sheldon St., Sun Valley, CA 91352  
 818.767.1144 fax: 818.767.1278



Cust: <b>Fidler</b>	PO# <b>KITCHEN</b>	Scale: <b>As Noted</b>	Room
Approved _____	Job: <b>FL-S_PreFIN/PG:perSample_IntEB:PreFIN</b>	<b>Size: A</b>	Dr By: <b>Brian</b>
		<b>09/20/2016</b>	<b>Rndr</b>