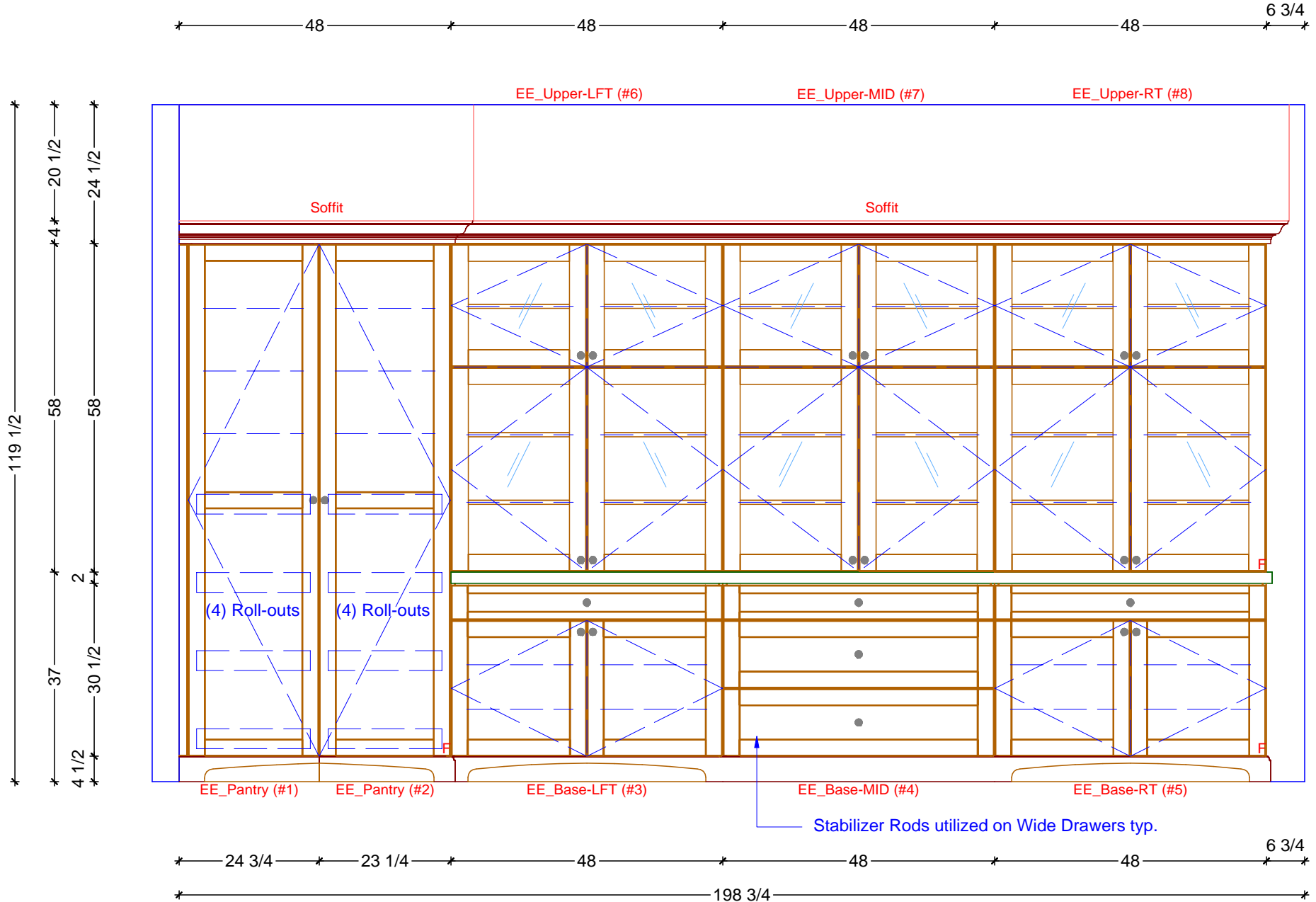


KITCHEN CABINETRY FLOOR PLAN
 SCALE: 1/4" = 1' 0"

Classic Bath Designs, Inc.
 11544 Sheldon St., Sun Valley, CA 91352
 818.767.1144 fax: 818.767.1278

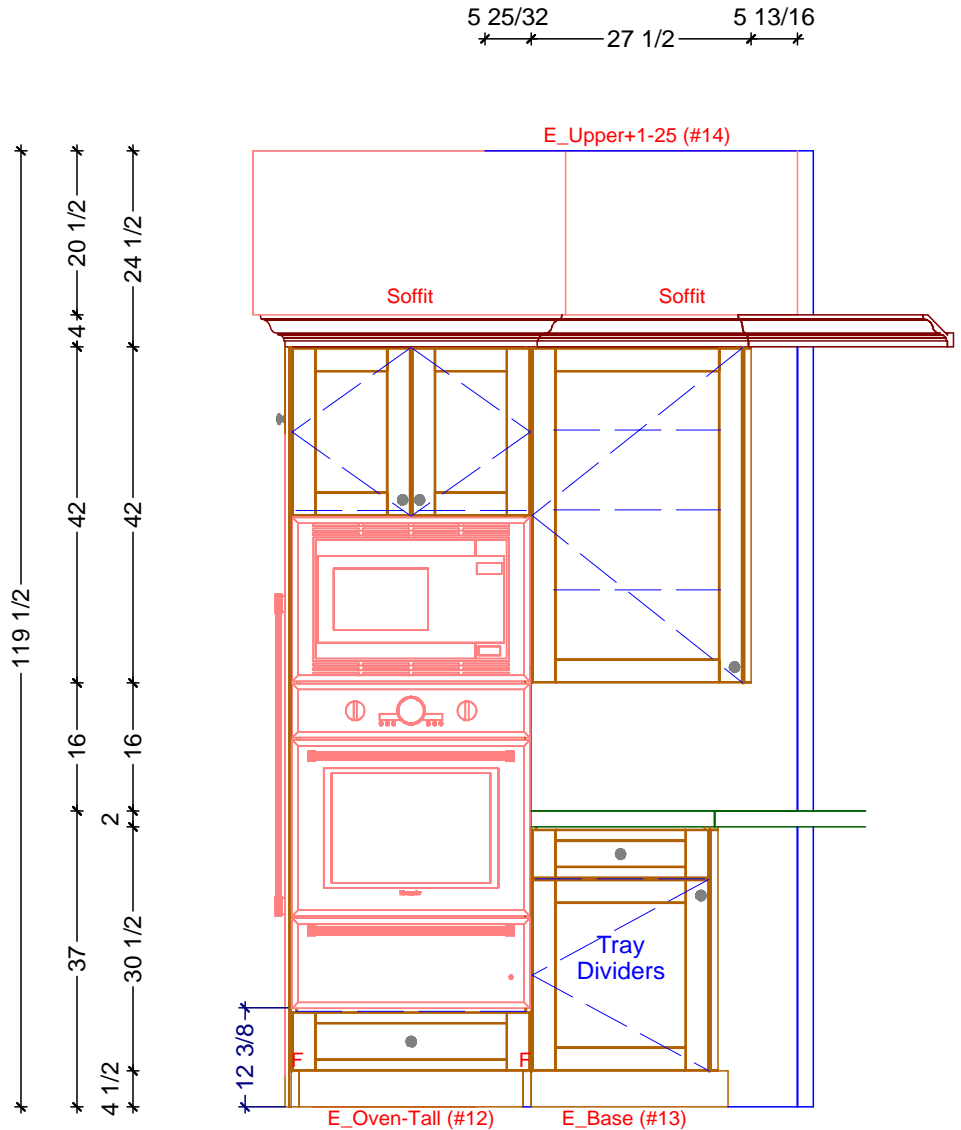
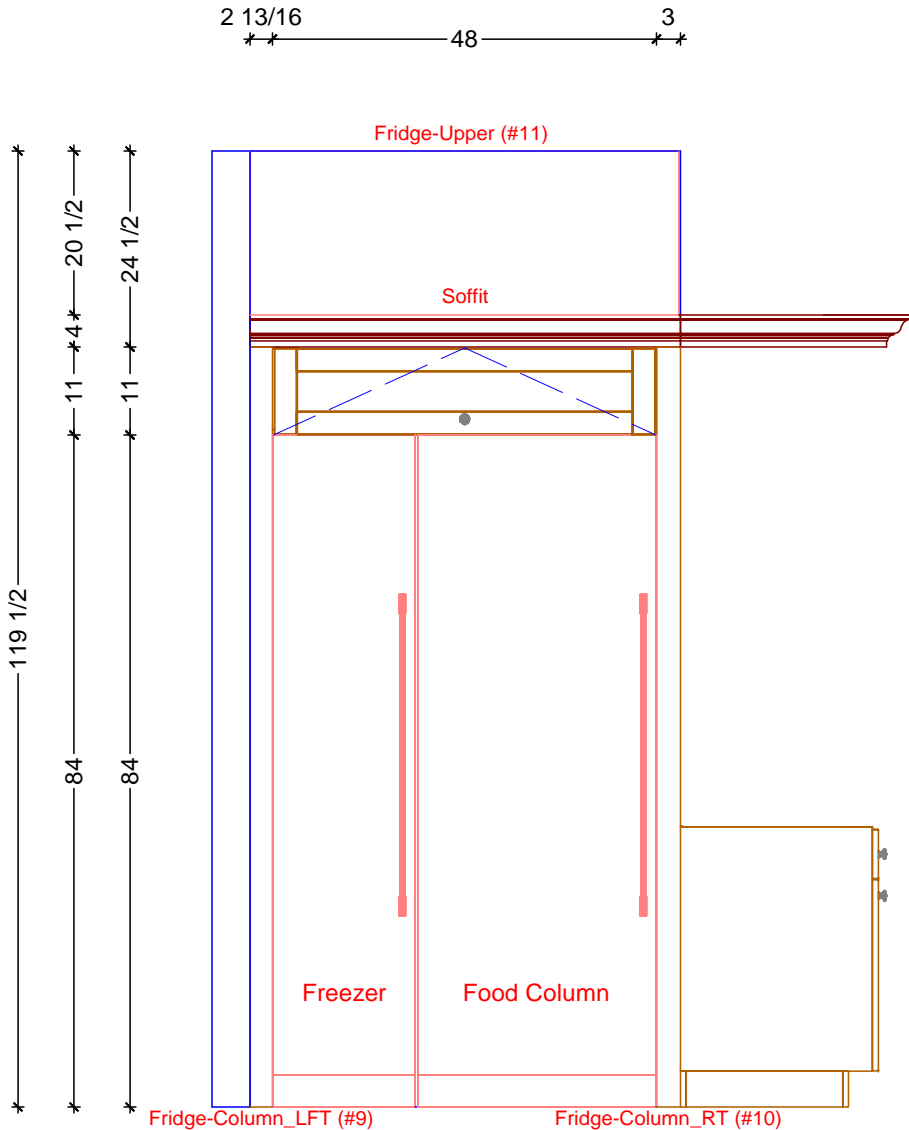
Cust: Fidler	PO# KITCHEN	Scale: As Noted	Room	K.0
Approved _____	Job: FL-S_PreFIN/PG:perSample_IntEB:PreFIN	Size: A	Dr By: Brian	
			09/21/2016	



1 KITCHEN ELEVATION - PANTRY RUN
SCALE: 1/2" = 1'0"

Classic Bath Designs, Inc.
11544 Sheldon St., Sun Valley, CA 91352
818.767.1144 fax: 818.767.1278

Cust: Fidler	PO# KITCHEN	Scale: As Noted	Room	K.1
Approved _____	Job: FL-S_PreFIN/PG:perSample_IntEB:PreFIN	Size: A	Dr By: Brian 09/21/2016	



2 13/16 3
 *** 48 ***
 *** 53 13/16 ***

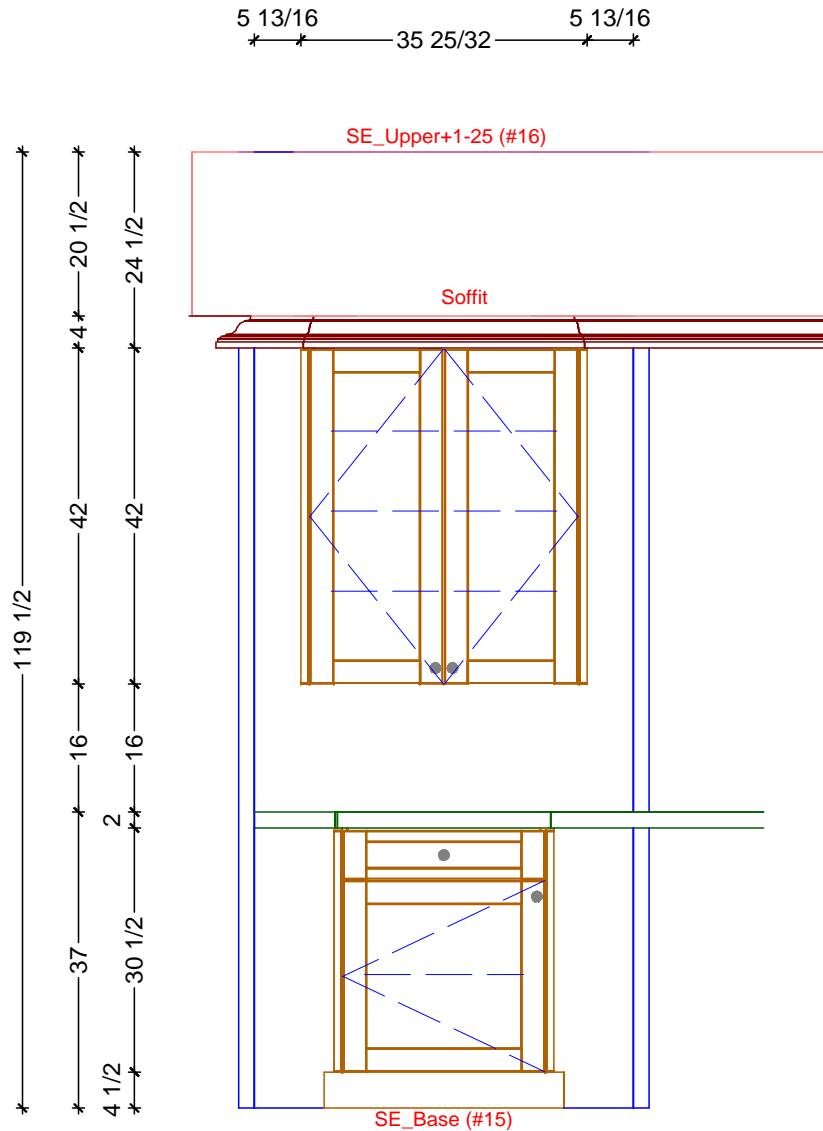
5 25/32 9 15/16
 *** 24 7/32 23 11/32 ***
 *** 39 1/16 ***

1 KITCHEN ELEVATION - FRIDGE AND OVEN RUNS
 SCALE: 1/2" = 1' 0"

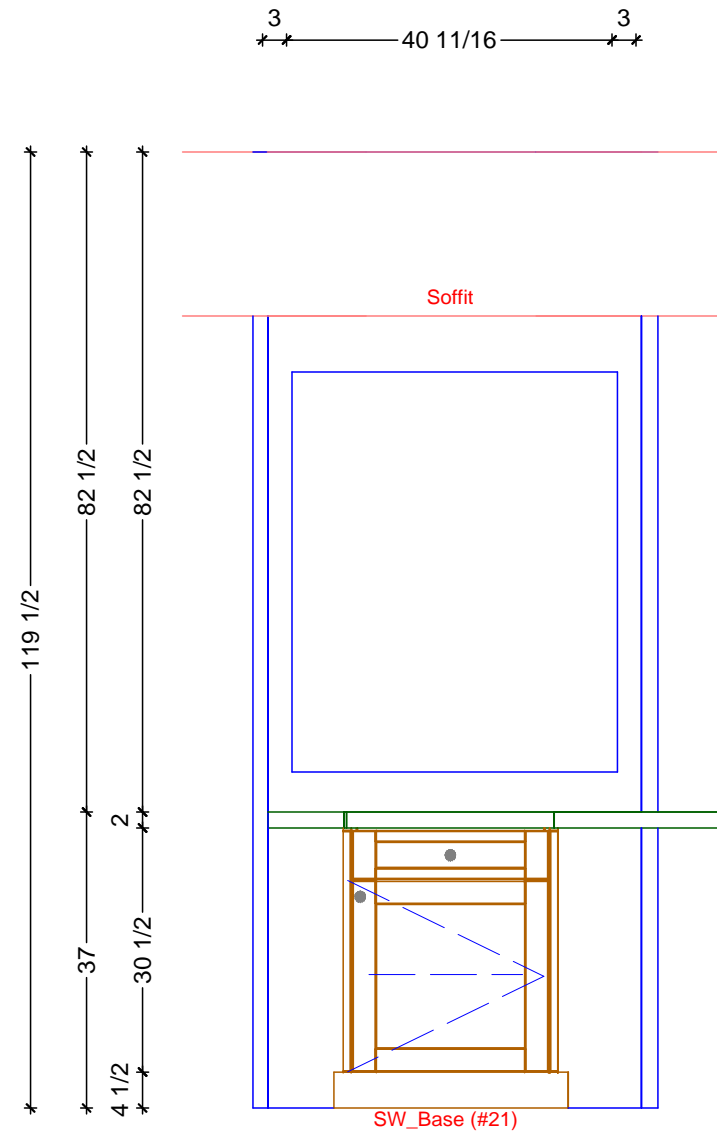
2

Classic Bath Designs, Inc.
 11544 Sheldon St., Sun Valley, CA 91352
 818.767.1144 fax: 818.767.1278

Cust: Fidler	PO# KITCHEN	Scale: As Noted	Room	K.2
Approved _____	Job: FL-S_PreFIN/PG:perSample_IntEB:PreFIN	Size: A	Dr By: Brian 09/21/2016	



9 15/16 9 15/16
 27 1/2
 47 3/8



9 1/2 26 13/16 *10 3/8*
 46 11/16

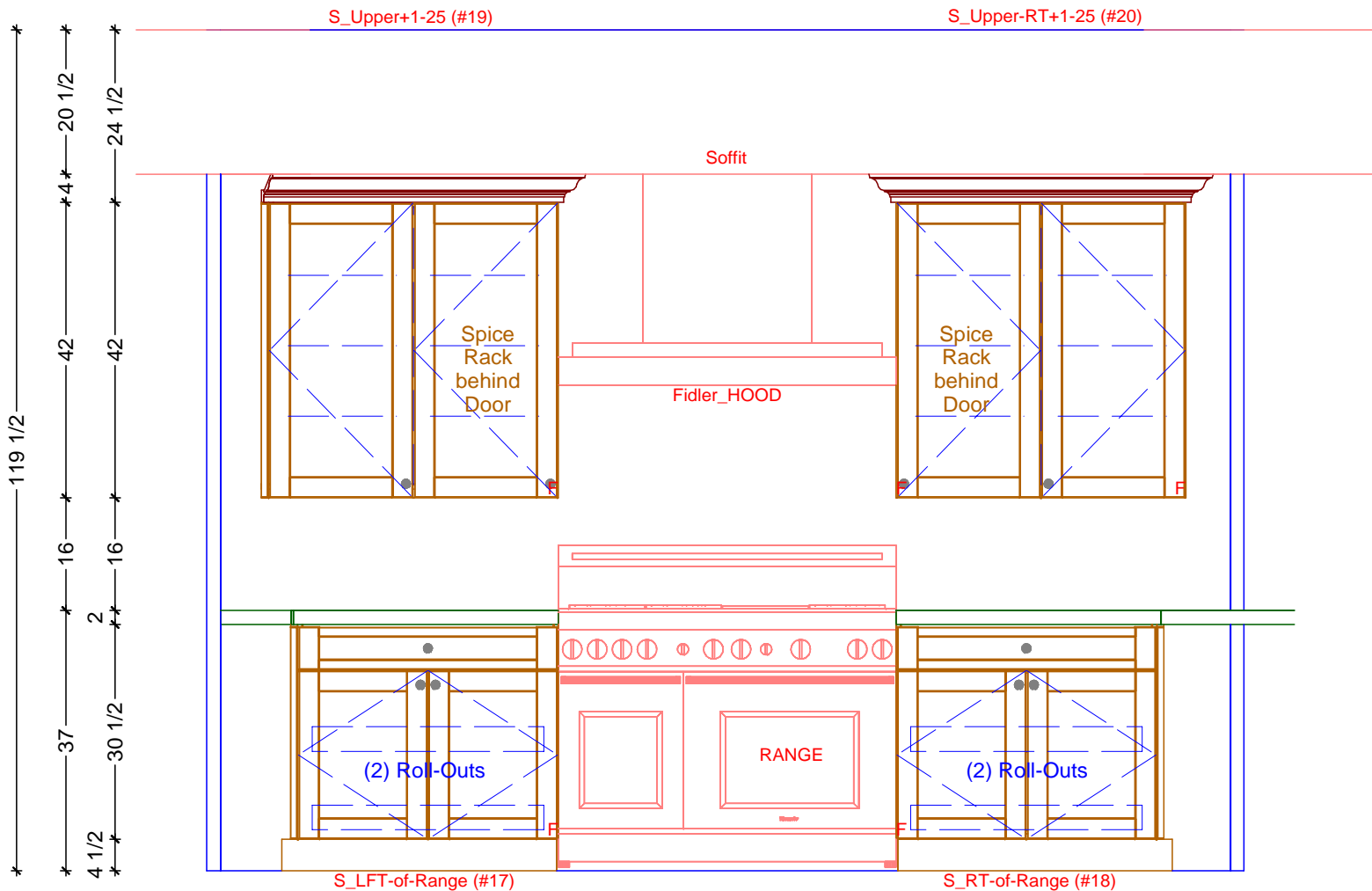
1 KITCHEN ELEVATION - SE & SW SPLAYS
 SCALE: 1/2" = 1' 0"

2

Classic Bath Designs, Inc.
 11544 Sheldon St., Sun Valley, CA 91352
 818.767.1144 fax: 818.767.1278

Cust: Fidler	PO# KITCHEN	Scale: As Noted	Room	K.3
Approved _____	Job: FL-S_PreFIN/PG:perSample_IntEB:PreFIN	Size: A	Dr By: Brian 09/21/2016	

5 13/16 42 3/16 48 41 3/16 6 11/32

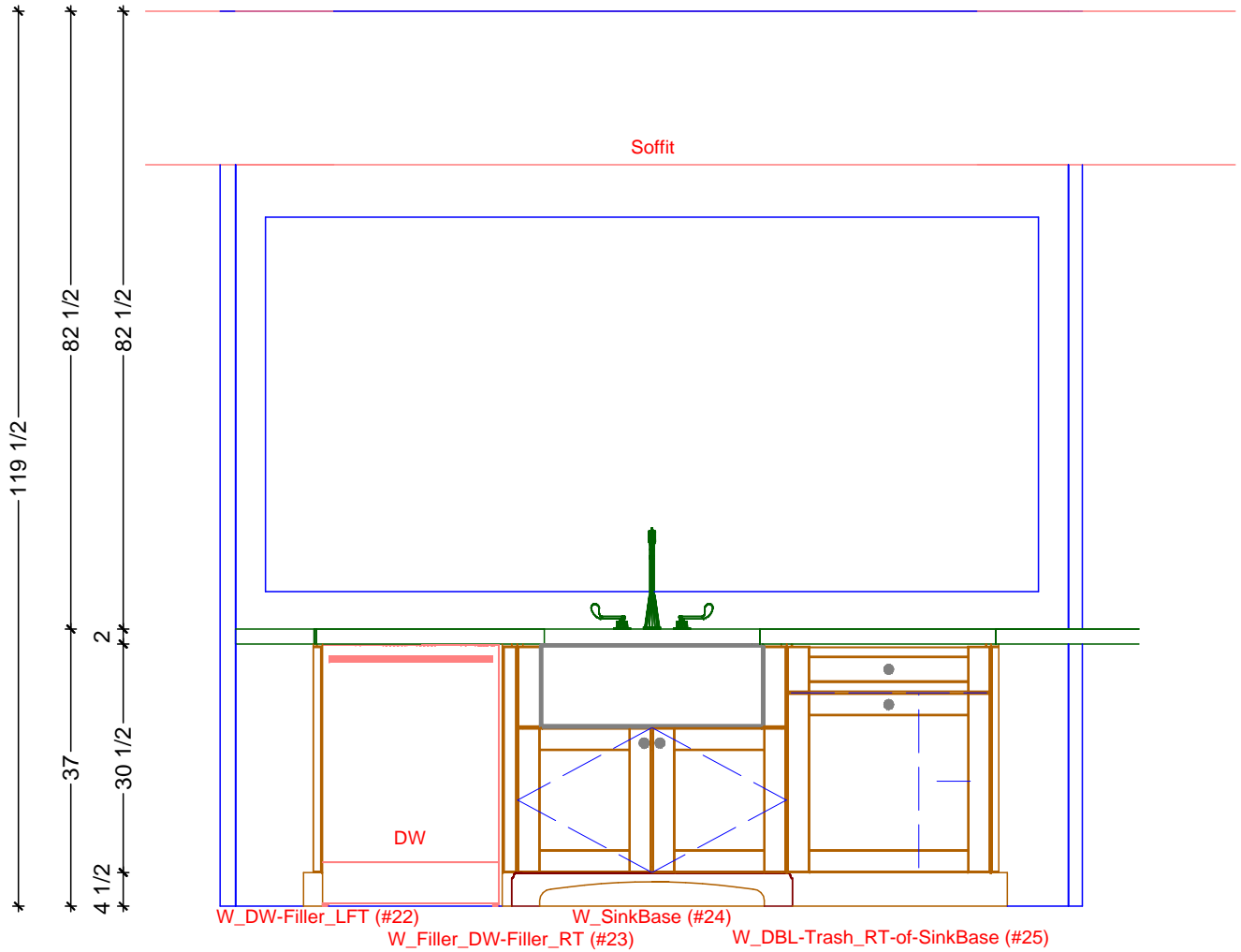


1 KITCHEN ELEVATION - RANGE RUN
SCALE: 1/2" = 1' 0"

Classic Bath Designs, Inc.
11544 Sheldon St., Sun Valley, CA 91352
818.767.1144 fax: 818.767.1278

Cust: Fidler	PO# KITCHEN	Scale: As Noted	Room	K.4
Approved _____	Job: FL-S_PreFIN/PG:perSample_IntEB:PreFIN	Size: A	Dr By: Brian 09/21/2016	

4 103 1/4 *4*



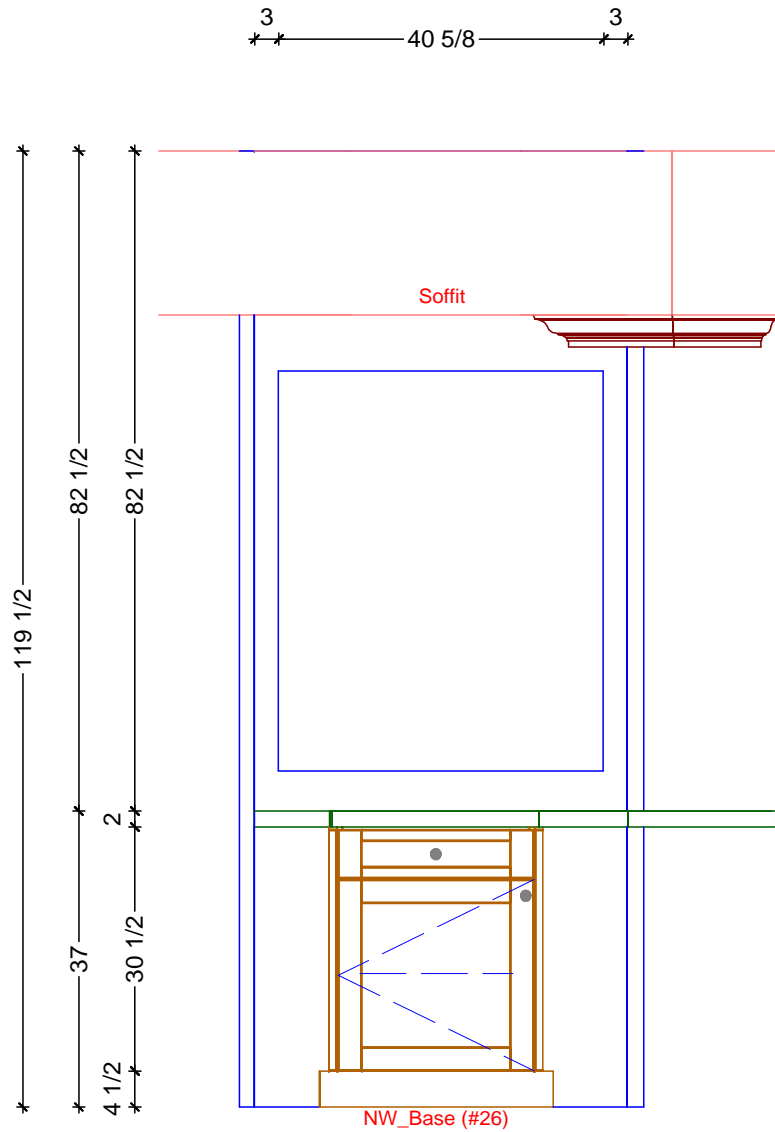
W_DW-Filler_LFT (#22) W_SinkBase (#24)
 W_Filler_DW-Filler_RT (#23) W_DBL-Trash_RT-of-SinkBase (#25)

1 1/4 2 9 5/16
 *10 3/8** 24 ** 36 * 28 5/16 *
 * 111 1/4 *

1 KITCHEN ELEVATION - SINK RUN
 SCALE: 1/2" = 1' 0"

Classic Bath Designs, Inc.
 11544 Sheldon St., Sun Valley, CA 91352
 818.767.1144 fax: 818.767.1278

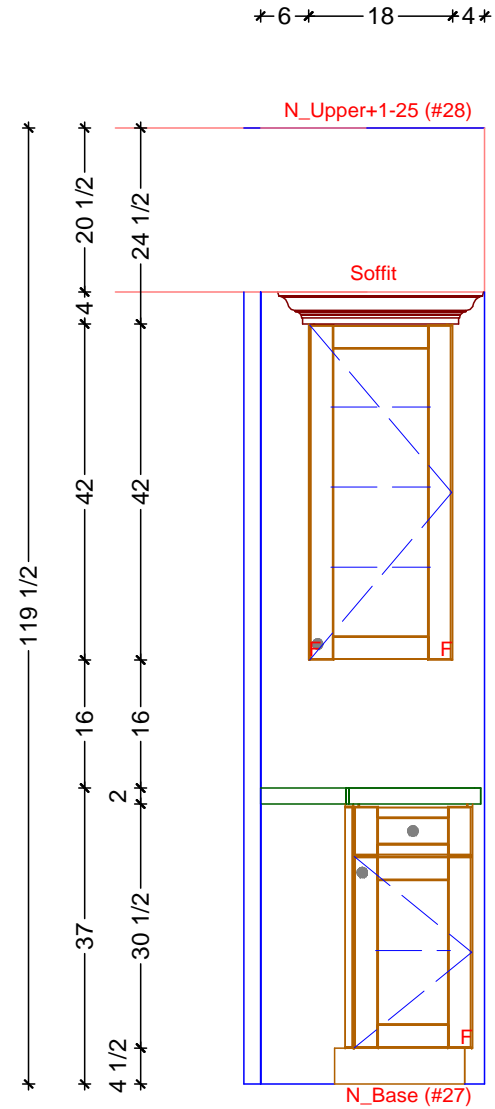
Cust: Fidler	PO# KITCHEN	Scale: As Noted	Room	K.5
Approved _____	Job: FL-S_PreFIN/PG:perSample_IntEB:PreFIN	Size: A	Dr By: Brian 09/21/2016	



9 5/16 10 9/16
* * 26 23/32 * *

46 5/8

1 KITCHEN ELEVATION - WALLS RIGHT OF SINK RUN
SCALE: 1/2" = 1' 0"



10 9/16 1 1/2
* * 15 15/16 * *

28

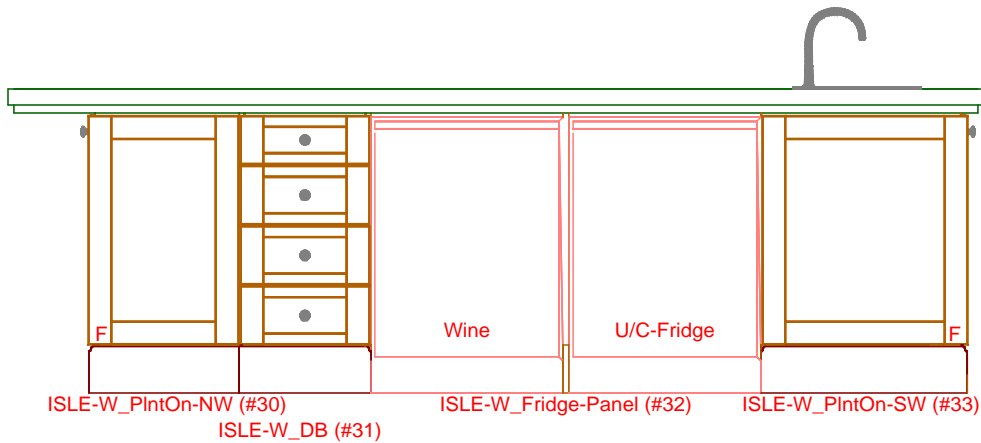
2

Classic Bath Designs, Inc.
11544 Sheldon St., Sun Valley, CA 91352
818.767.1144 fax: 818.767.1278



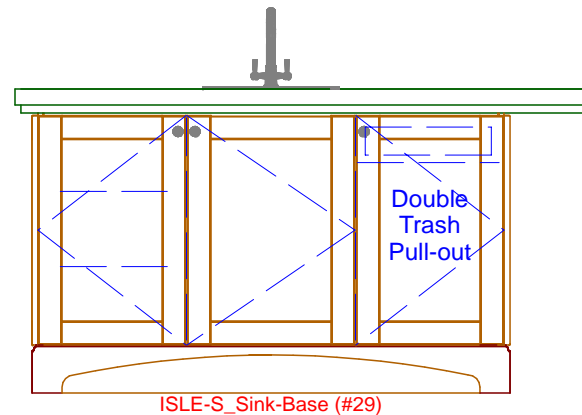
Cust: Fidler	PO# KITCHEN	Scale: As Noted	Room	K.6
Approved _____	Job: FL-S_PreFIN/PG:perSample_IntEB:PreFIN	Size: A	Dr By: Brian 09/21/2016	

38
3
29
6



18 16 1/2 24 3/4 24 25
108 1/4

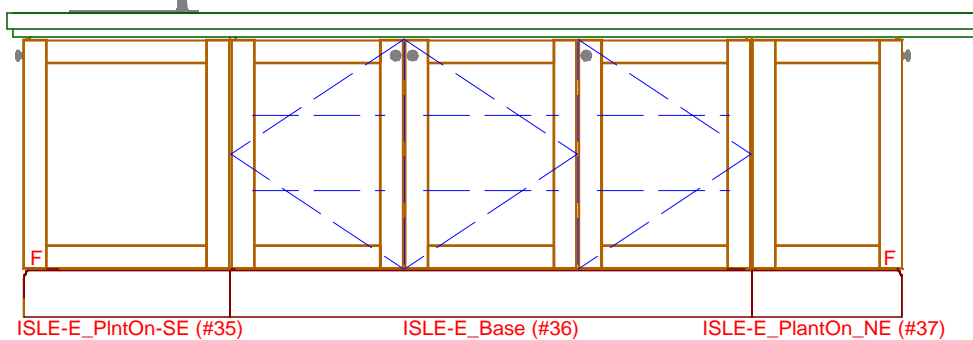
1 KITCHEN ELEVATION - ISLE WEST
SCALE: 1/2" = 1' 0"



58 1/4
58 1/4

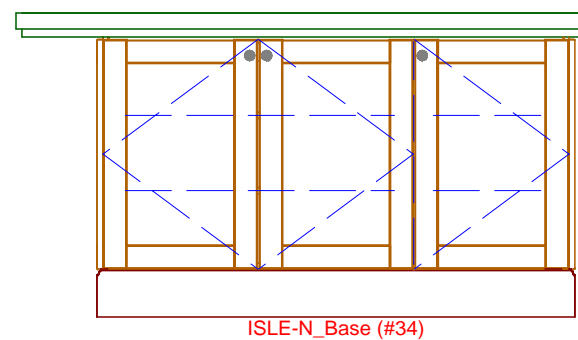
2 KITCHEN ELEVATION - ISLE SOUTH
SCALE: 1/2" = 1' 0"

38
3
29
6



25 65 1/4 18
108 1/4

3 KITCHEN ELEVATION - ISLE EAST
SCALE: 1/2" = 1' 0"



58 1/4
58 1/4

4 KITCHEN ELEVATION - ISLE NORTH
SCALE: 1/2" = 1' 0"

Classic Bath Designs, Inc.
11544 Sheldon St., Sun Valley, CA 91352
818.767.1144 fax: 818.767.1278



Cust: Fidler

PO# KITCHEN

Scale: As Noted

Room

Approved _____

Job: FL-S_PreFIN/PG:perSample_IntEB:PreFIN

Size: A

Dr By: Brian

09/21/2016

K.7



Classic Bath Designs, Inc.
 11544 Sheldon St., Sun Valley, CA 91352
 818.767.1144 fax: 818.767.1278



Cust: Fidler	PO# KITCHEN	Scale: As Noted	Room	Rndr
Approved _____	Job: FL-S_PreFIN/PG:perSample_IntEB:PreFIN	Size: A	Dr By: Brian	



Classic Bath Designs, Inc.
 11544 Sheldon St., Sun Valley, CA 91352
 818.767.1144 fax: 818.767.1278



Cust: Fidler		PO# KITCHEN	Scale: As Noted	Room
Approved _____	Job: FL-S_PreFIN/PG:perSample_IntEB:PreFIN	Size: A	Dr By: Brian	09/21/2016

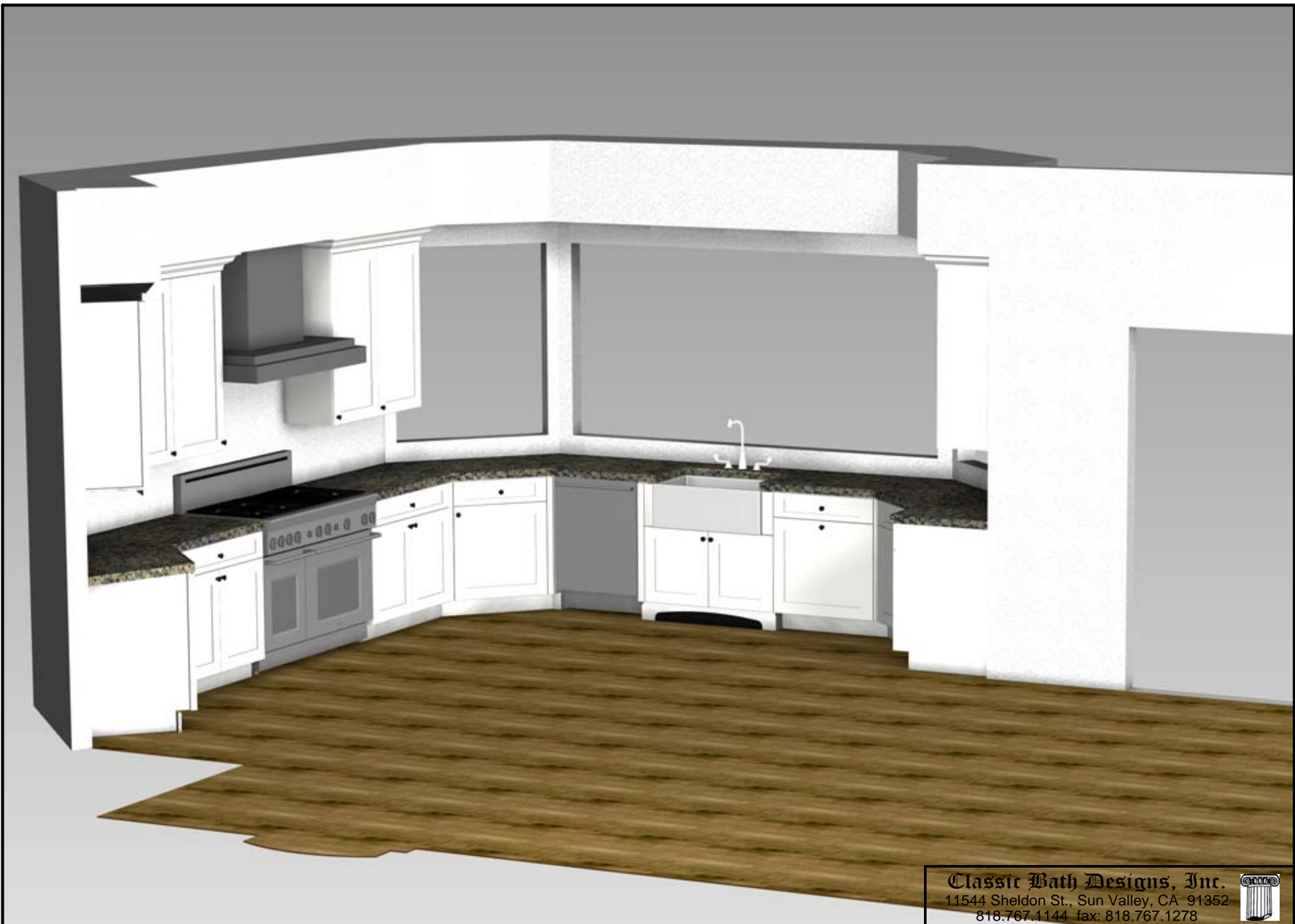
Rndr



Classic Bath Designs, Inc.
 11544 Sheldon St., Sun Valley, CA 91352
 818.767.1144 fax: 818.767.1278



Cust: Fidler	PO# KITCHEN	Scale: As Noted	Room	Rndr
Approved _____	Job: FL-S_PreFIN/PG:perSample_IntEB:PreFIN	Size: A	Dr By: Brian	



Classic Bath Designs, Inc.
 11544 Sheldon St., Sun Valley, CA 91352
 818.767.1144 fax: 818.767.1278



Cust: Fidler	PO# KITCHEN	Scale: As Noted	Room	Rndr
Approved _____	Job: FL-S_PreFIN/PG:perSample_IntEB:PreFIN	Size: A	Dr By: Brian	



Classic Bath Designs, Inc.
 11544 Sheldon St., Sun Valley, CA 91352
 818.767.1144 fax: 818.767.1278



Cust: Fidler	PO# KITCHEN	Scale: As Noted	Room
Approved _____	Job: FL-S_PreFIN/PG:perSample_IntEB:PreFIN	Size: A	Dr By: Brian 09/21/2016

Rndr