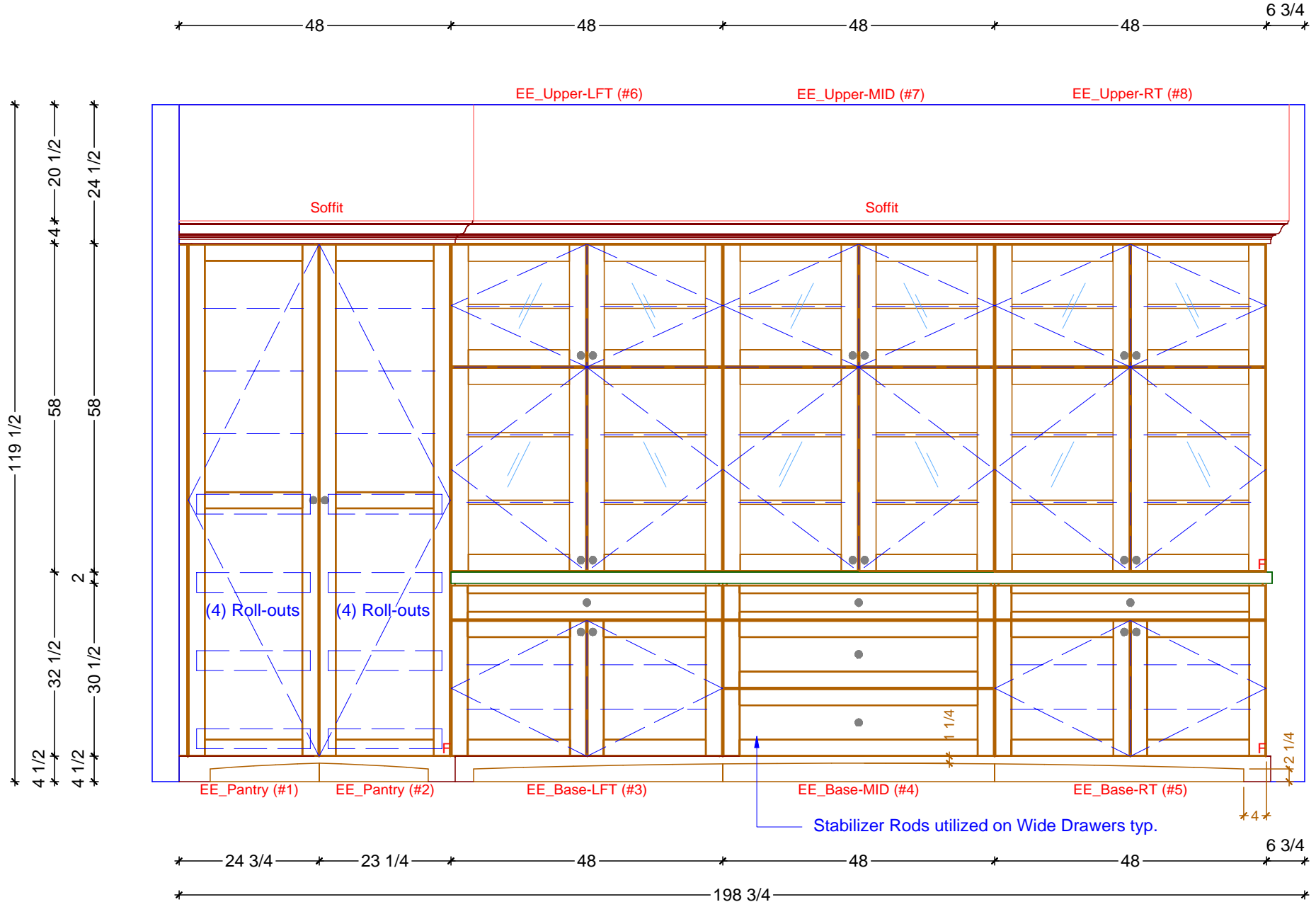


KITCHEN CABINETRY FLOOR PLAN
 SCALE: 1/4" = 1' 0"

Classic Bath Designs, Inc.
 11544 Sheldon St., Sun Valley, CA 91352
 818.767.1144 fax: 818.767.1278

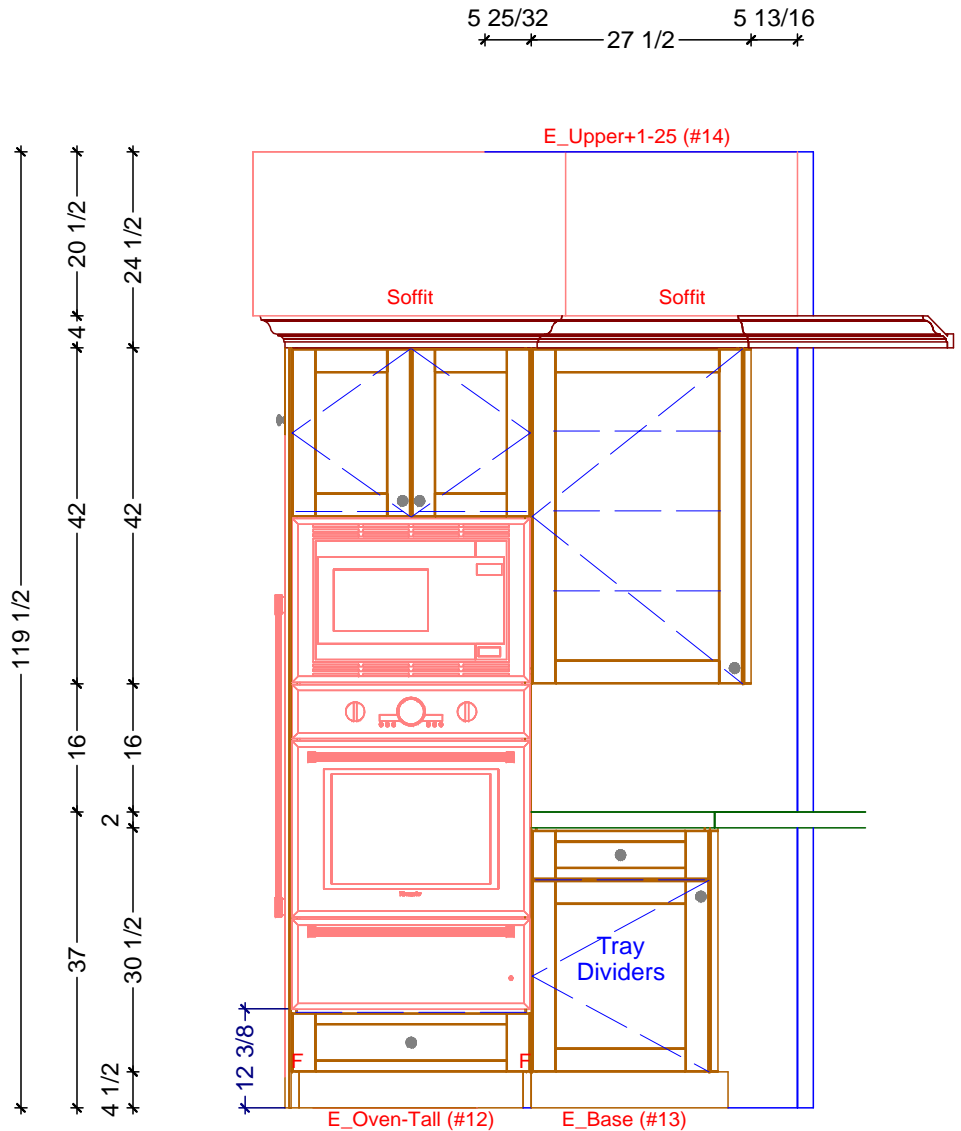
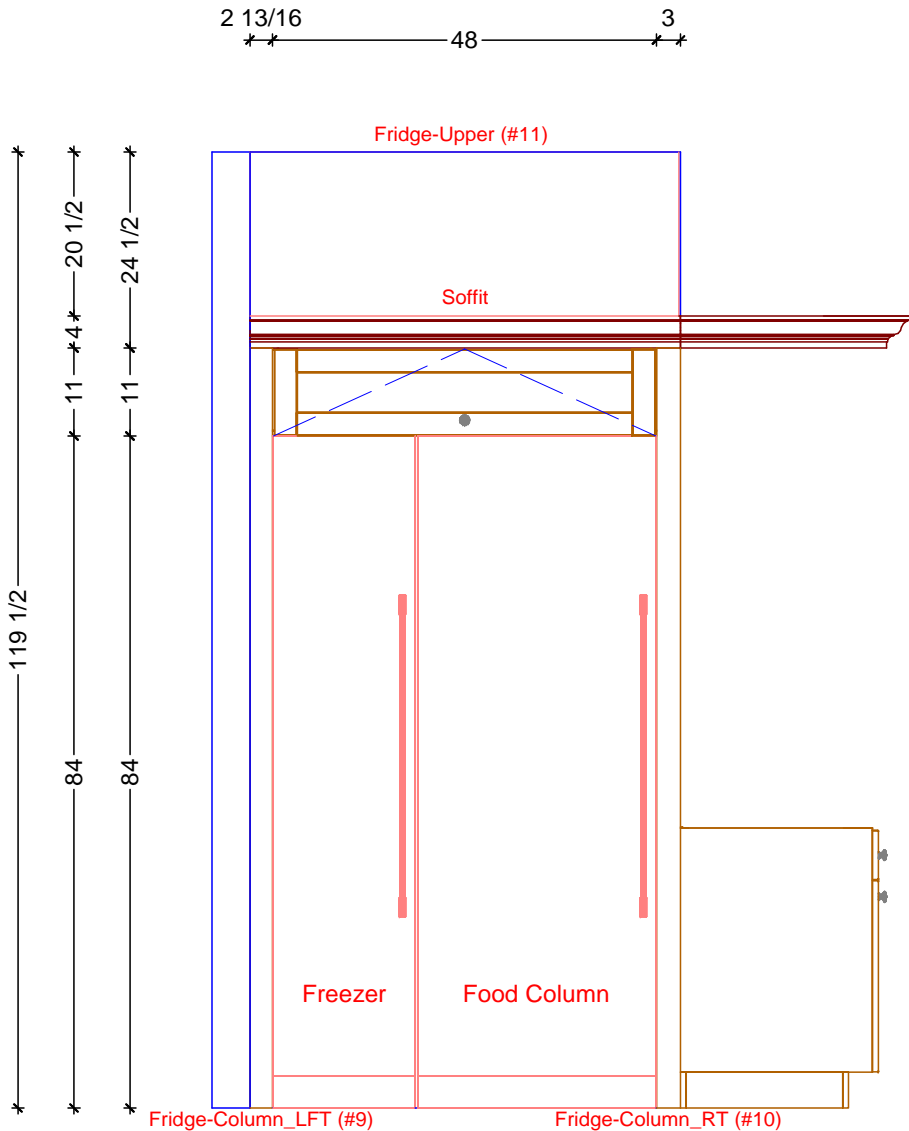
Cust: Fidler	PO# KITCHEN	Scale: As Noted	Room	K.0
Approved _____	Job: FL-S_PreFIN/PG:perSample_IntEB:PreFIN	Size: A	Dr By: Brian 09/27/2016	



1 KITCHEN ELEVATION - PANTRY RUN
 SCALE: 1/2" = 1' 0"

Classic Bath Designs, Inc.
 11544 Sheldon St., Sun Valley, CA 91352
 818.767.1144 fax: 818.767.1278

Cust: Fidler	PO# KITCHEN	Scale: As Noted	Room	K.1
Approved _____	Job: FL-S_PreFIN/PG:perSample_IntEB:PreFIN	Size: A	Dr By: Brian 09/27/2016	



2 13/16 3
 *** 48 ***
 *** 53 13/16 ***

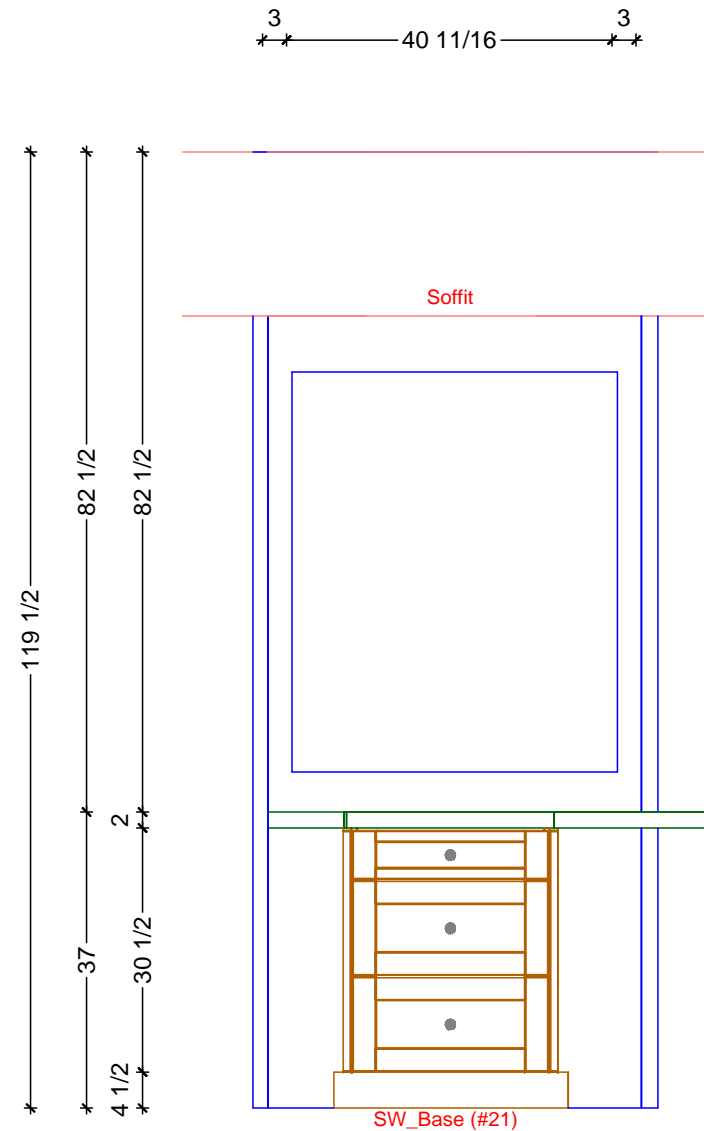
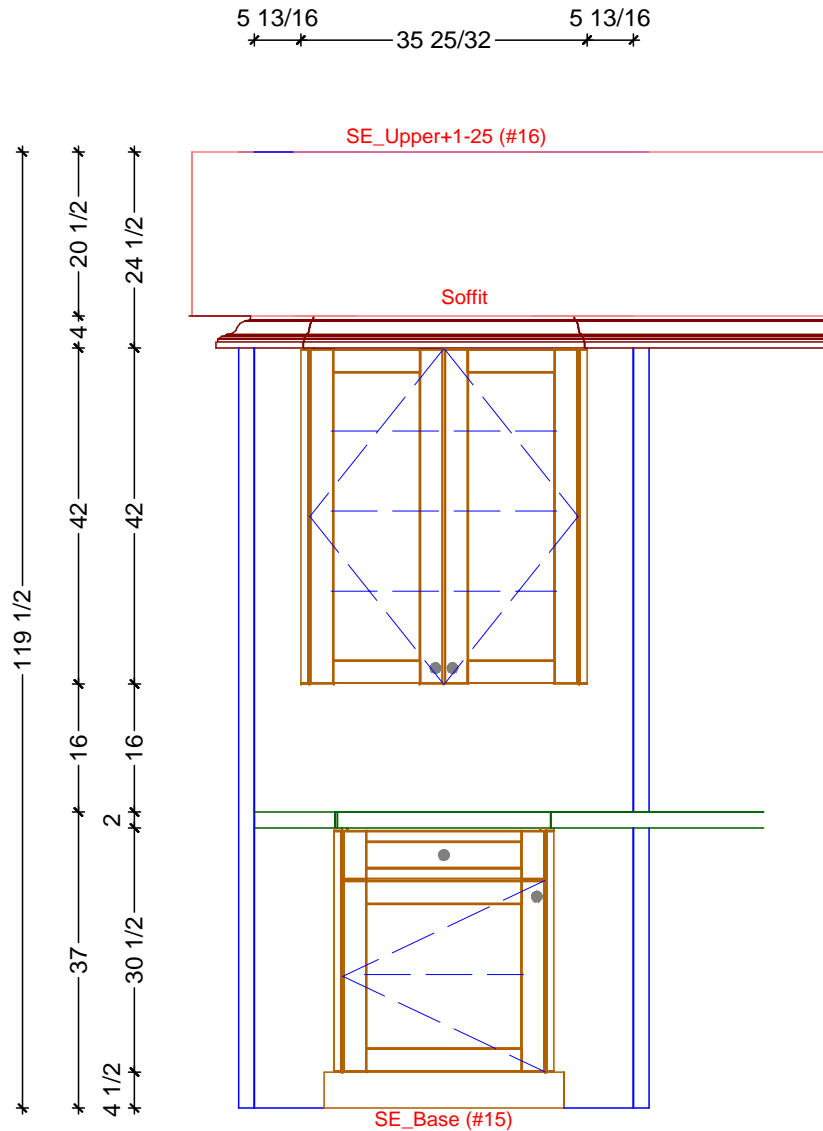
5 25/32 9 15/16
 *** 24 7/32 23 11/32 ***
 *** 39 1/16 ***

1 KITCHEN ELEVATION - FRIDGE AND OVEN RUNS
 SCALE: 1/2" = 1' 0"

2

Classic Bath Designs, Inc.
 11544 Sheldon St., Sun Valley, CA 91352
 818.767.1144 fax: 818.767.1278

Cust: Fidler	PO# KITCHEN	Scale: As Noted	Room	K.2
Approved _____	Job: FL-S_PreFIN/PG:perSample_IntEB:PreFIN	Size: A	Dr By: Brian 09/27/2016	



1 KITCHEN ELEVATION - SE & SW SPLAYS
SCALE: 1/2" = 1' 0"

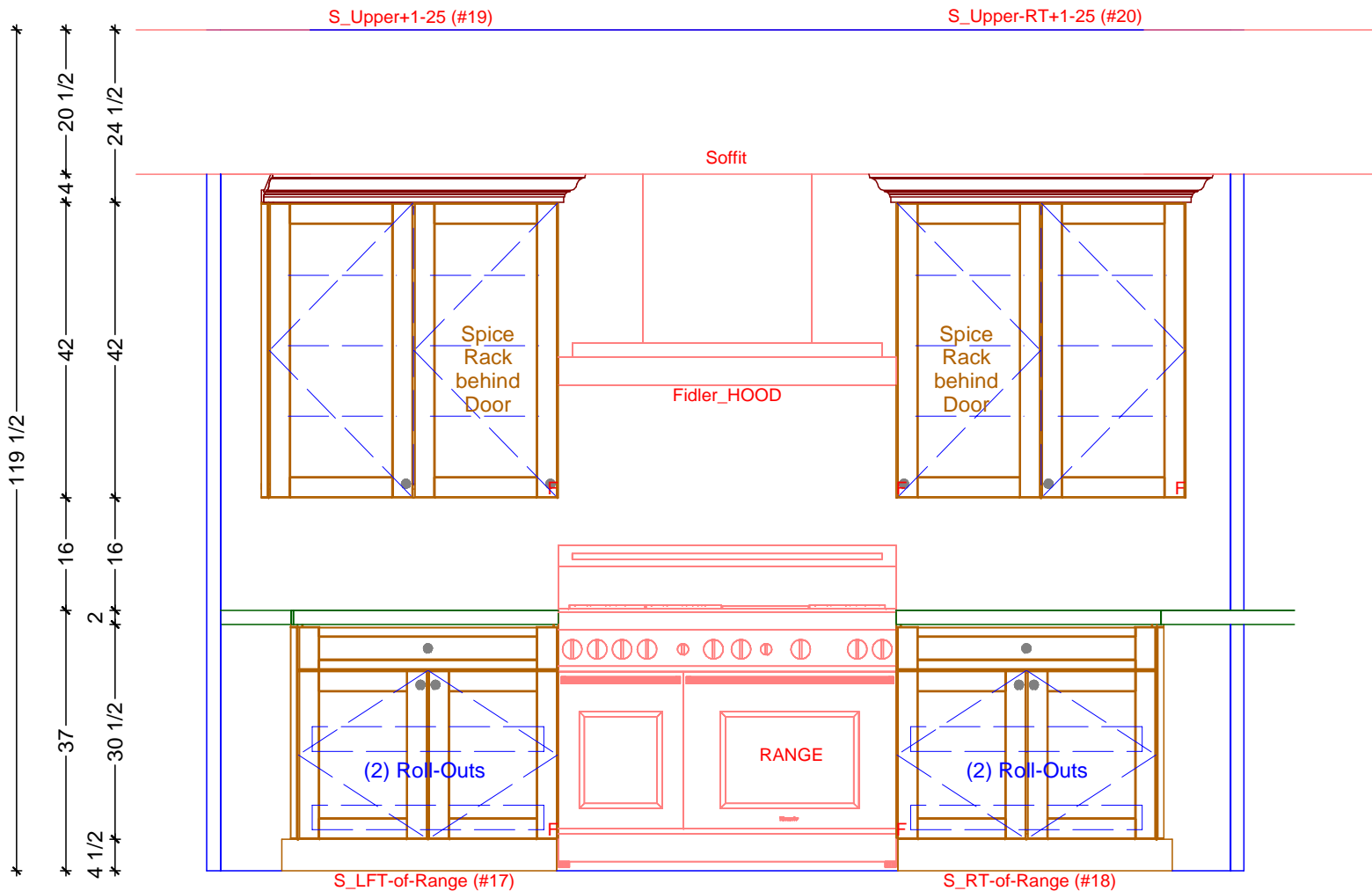
2

Classic Bath Designs, Inc.
11544 Sheldon St., Sun Valley, CA 91352
818.767.1144 fax: 818.767.1278



Cust: Fidler	PO# KITCHEN	Scale: As Noted	Room	K.3
Approved _____	Job: FL-S_PreFIN/PG:perSample_IntEB:PreFIN	Size: A	Dr By: Brian 09/27/2016	

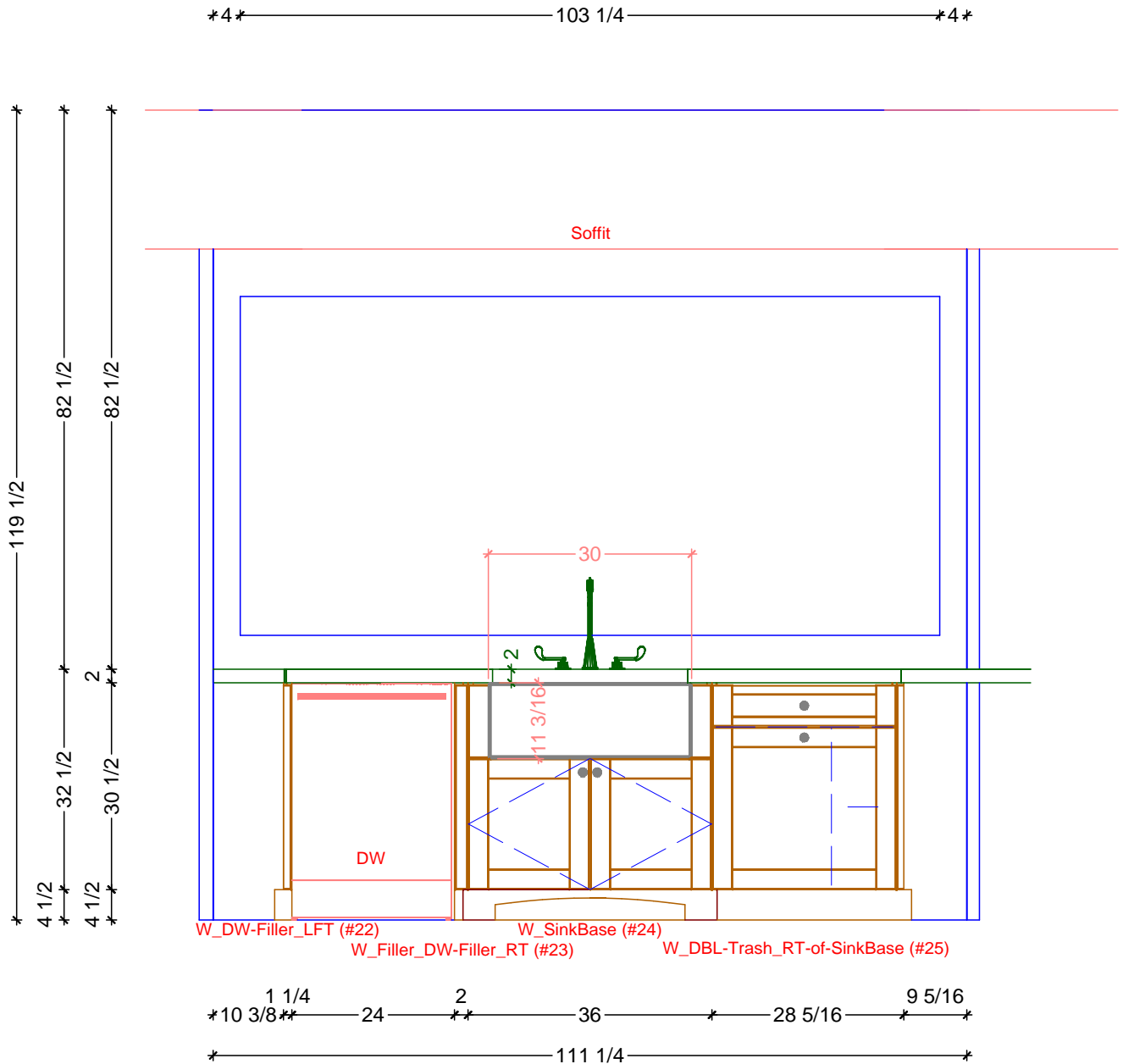
5 13/16 42 3/16 48 41 3/16 6 11/32



1 KITCHEN ELEVATION - RANGE RUN
SCALE: 1/2" = 1' 0"

Classic Bath Designs, Inc.
11544 Sheldon St., Sun Valley, CA 91352
818.767.1144 fax: 818.767.1278

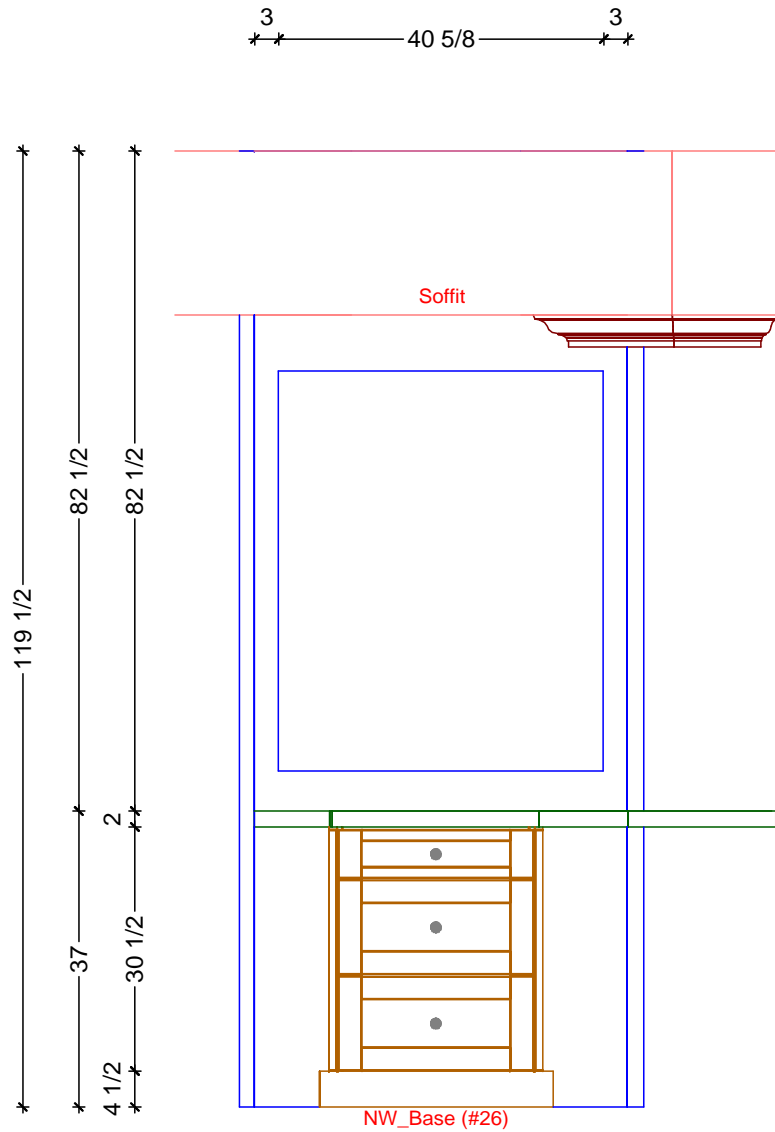
Cust: Fidler	PO# KITCHEN	Scale: As Noted	Room	K.4
Approved _____	Job: FL-S_PreFIN/PG:perSample_IntEB:PreFIN	Size: A	Dr By: Brian 09/27/2016	



1 KITCHEN ELEVATION - SINK RUN
SCALE: 1/2" = 1' 0"

Classic Bath Designs, Inc.
11544 Sheldon St., Sun Valley, CA 91352
818.767.1144 fax: 818.767.1278

Cust: Fidler	PO# KITCHEN	Scale: As Noted	Room	K.5
Approved _____	Job: FL-S_PreFIN/PG:perSample_IntEB:PreFIN	Size: A	Dr By: Brian 09/27/2016	

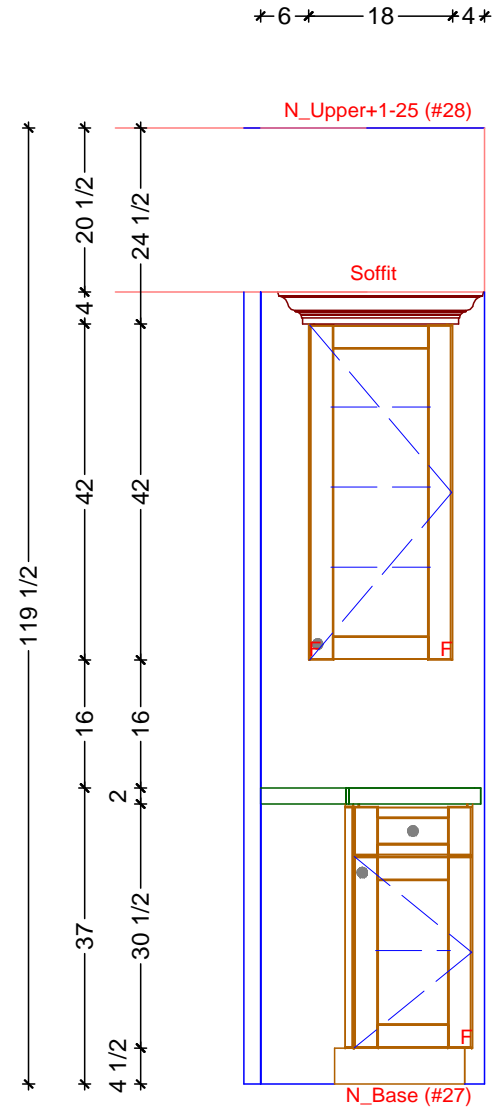


$9 \frac{5}{16}$ $10 \frac{9}{16}$
 * * 26 $\frac{23}{32}$ * *
 * * 46 $\frac{5}{8}$ * *

1

KITCHEN ELEVATION - WALLS RIGHT OF SINK RUN

SCALE: 1/2" = 1' 0"



$10 \frac{9}{16}$ $1 \frac{1}{2}$
 * * 15 $\frac{15}{16}$ * *
 * * 28 * *

2

Classic Bath Designs, Inc.
 11544 Sheldon St., Sun Valley, CA 91352
 818.767.1144 fax: 818.767.1278



Cust: Fidler

PO# KITCHEN

Scale: As Noted

Room

Approved _____

Job: FL-S_PreFIN/PG:perSample_IntEB:PreFIN

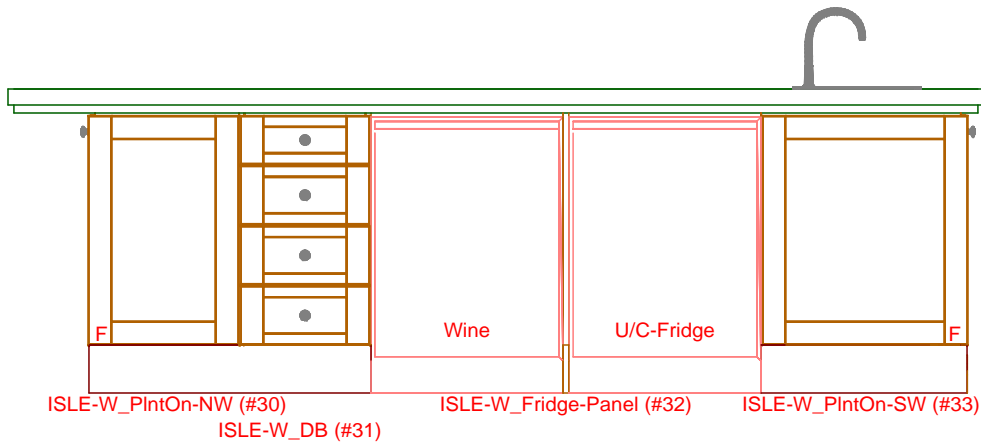
Size: A

Dr By: Brian

09/27/2016

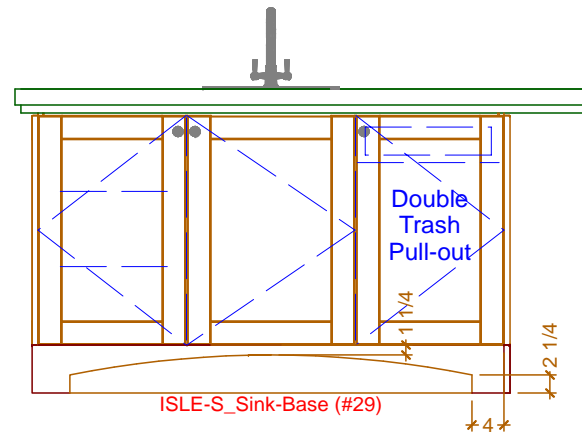
K.6

6
6
32
29
3



18 16 1/2 24 3/4 24 25
108 1/4

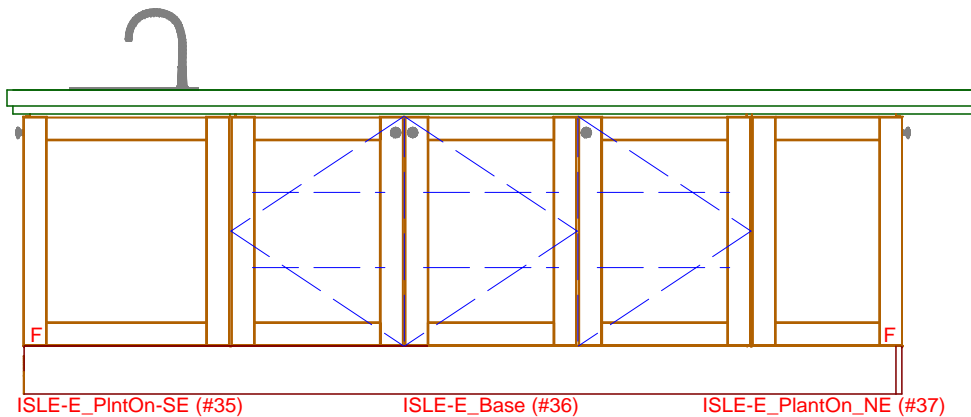
1 KITCHEN ELEVATION - ISLE WEST
SCALE: 1/2" = 1' 0"



58 1/4

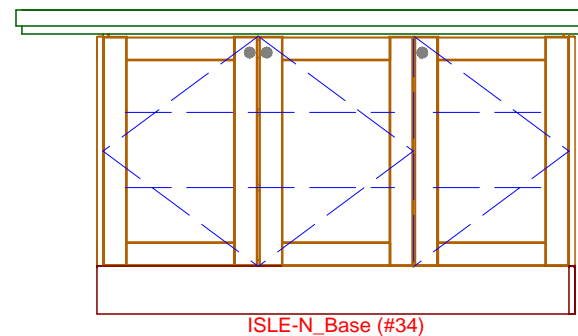
2 KITCHEN ELEVATION - ISLE SOUTH
SCALE: 1/2" = 1' 0"

6
6
32
29
3



25 65 1/4 18
108 1/4

3 KITCHEN ELEVATION - ISLE EAST
SCALE: 1/2" = 1' 0"



58 1/4

4 KITCHEN ELEVATION - ISLE NORTH
SCALE: 1/2" = 1' 0"

Classic Bath Designs, Inc.
11544 Sheldon St., Sun Valley, CA 91352
818.767.1144 fax: 818.767.1278



Cust: Fidler

PO# KITCHEN

Scale: As Noted

Room

Approved _____

Job: FL-S_PreFIN/PG:perSample_IntEB:PreFIN

Size: A

Dr By: Brian

09/27/2016

K.7



Classic Bath Designs, Inc.
 11544 Sheldon St., Sun Valley, CA 91352
 818.767.1144 fax: 818.767.1278



Cust: Fidler	PO# KITCHEN	Scale: As Noted	Room	Rndr
Approved _____	Job: FL-S_PreFIN/PG:perSample_IntEB:PreFIN	Size: A	Dr By: Brian	



Classic Bath Designs, Inc.
 11544 Sheldon St., Sun Valley, CA 91352
 818.767.1144 fax: 818.767.1278



Cust: Fidler		PO# KITCHEN	Scale: As Noted	Room
Approved _____	Job: FL-S_PreFIN/PG:perSample_IntEB:PreFIN	Size: A	Dr By: Brian	09/27/2016

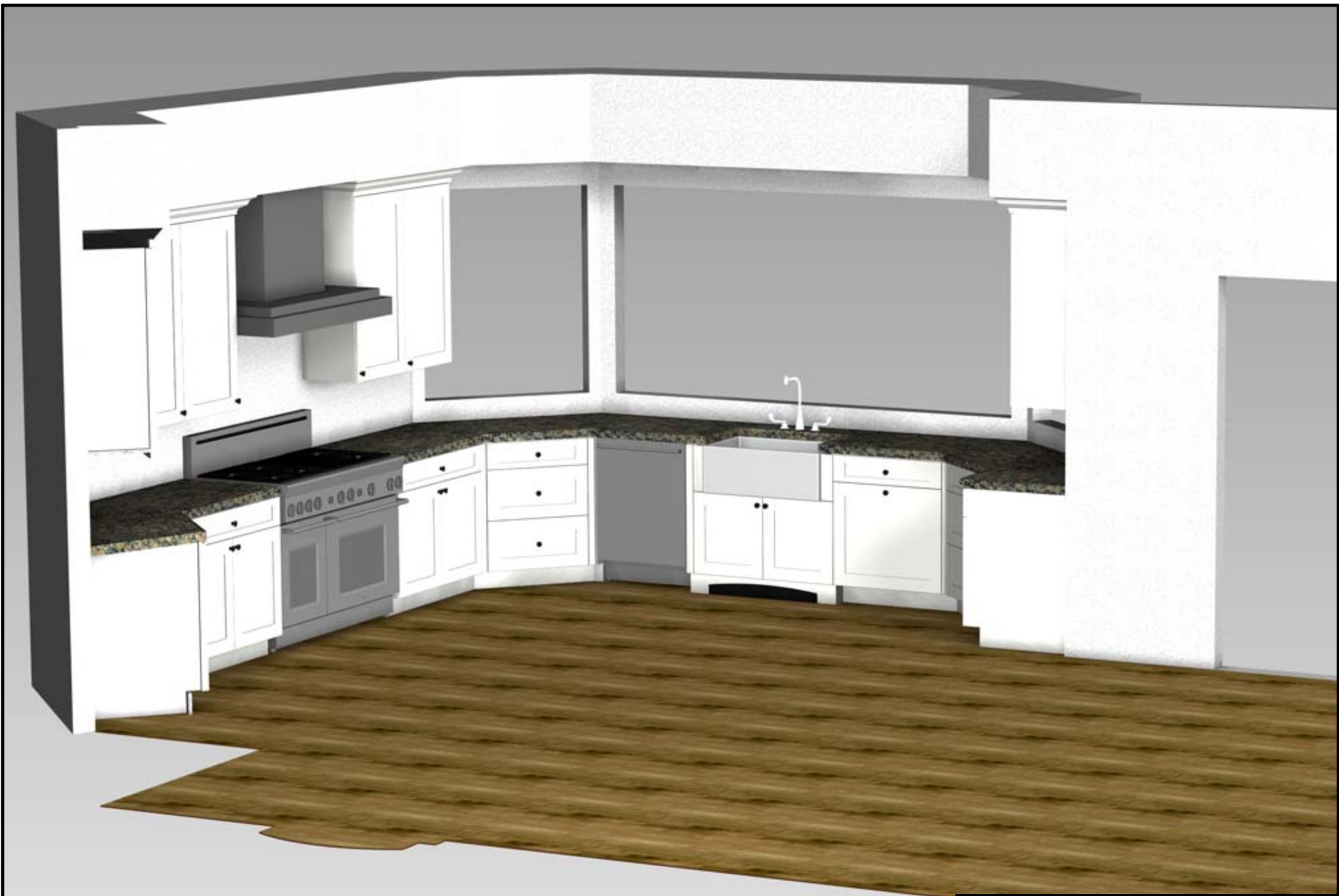
Rndr



Classic Bath Designs, Inc.
 11544 Sheldon St., Sun Valley, CA 91352
 818.767.1144 fax: 818.767.1278



Cust: Fidler	PO# KITCHEN	Scale: As Noted	Room	Rndr
Approved _____	Job: FL-S_PreFIN/PG:perSample_IntEB:PreFIN	Size: A	Dr By: Brian	



Classic Bath Designs, Inc.
 11544 Sheldon St., Sun Valley, CA 91352
 818.767.1144 fax: 818.767.1278



Cust: Fidler	PO# KITCHEN	Scale: As Noted	Room	Rndr
Approved _____	Job: FL-S_PreFIN/PG:perSample_IntEB:PreFIN	Size: A	Dr By: Brian	



Classic Bath Designs, Inc.
 11544 Sheldon St., Sun Valley, CA 91352
 818.767.1144 fax: 818.767.1278



Cust: Fidler	PO# KITCHEN	Scale: As Noted	Room	Rndr
Approved _____	Job: FL-S_PreFIN/PG:perSample_IntEB:PreFIN	Size: A	Dr By: Brian	