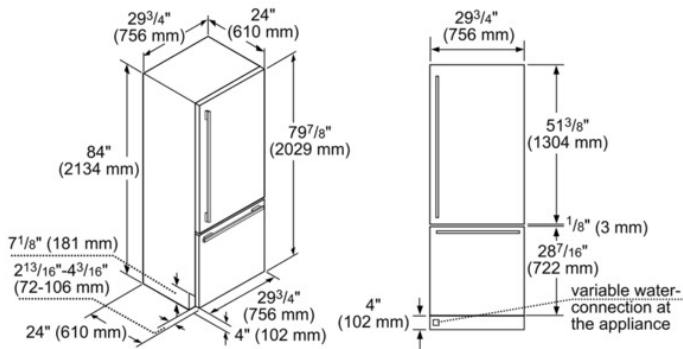


30" Built-In Bottom-Freezer 800 Series - Stainless Steel B30BB830SS



Features

Multi-Flow Air Tower	Yes
SUPERCOOL	Yes
SUPERFREEZE	Yes
Carbon Air Filter	No
Temperature Controlled Drawer	No
Humidity Control Drawer	Yes
Number of Door Bins - Refrigerator	2
Adjustable Door Bins - Refrigerator	No
Tilt-Out Door Bins - Refrigerator	Yes
Gallon Storage Bins	1
Number of Shelves - Refrigerator	3
Door Hinge	Right reversible
Adjustable Shelves - Refrigerator	2
Number of Shelves - Freezer	
Reversible Door Hinge	Yes
Adjustable Shelves - Freezer	No

Technical Specification

UPC code	825225800989
Color / Material housing	
Colour.Material door	
Panel ready	
Silence level (dBA)	43
Watts (W)	588
Current (A)	15
Volts (V)	120
Frequency (Hz)	60
Energy consumption (kWh/yr)	
Energy Star® qualified	Yes
Approval certificates	ETL, ETL C
Power cord length (in)	78 3/4"
Required cutout size (HxWxD) (in)	84" x 30" x 24 3/4"
Appliance Width (in)	29 3/4"
Height (in)	83 3/4 "
Depth (in)	24"
Capacity in 0.75l (bordeaux bottles)	
Total unit gross capacity (cu. ft.) - AHAM	16
Product packaging dimensions (HxWxD) (in)	90.55 x 33.07 x 29.52
Refrigerator Gross capacity (cu. ft.)	11
Freezer Gross capacity (cu ft)	5
Net weight (lbs)	451
Gross weight (lbs)	492
SKU	B30BB830SS

Notes: All height, width and depth dimensions are shown in inches. *Please refer to installation instructions prior to making cutout. BSH reserves the absolute and unrestricted right to change product materials and specifications, at any time, without notice. Consult the product's installation instructions for final dimensional data and other details. Applicable product warranty can be found in a accompanying product literature or you may contact your account manager for further details.

For more information on our entire line of products, go to boschappliances.com or call 1-800-944-2904.

Copyright ©2013 BSH Home Appliances Corporation. All rights reserved. Bosch is a registered trademark of Robert Bosch GmbH.

Litho Date: 07/2013