

DW80J3020US

Samsung Dishwasher

Features

- Quiet Operation – 50 dBA
- ENERGY STAR® rated: 265 kWh/Year
- Water Consumption: 3.5 Gallons
- 15 Place Settings
- Hidden Heating Element
- Double Filtration System
- Electronic Touch Sensor
- Hard Food Disposer
- 3 Spray Wash Arms (Upper, Middle, Lower)
- 4 Wash Cycles and 1 Wash Option
- Fan Condensing Drying System
- 2-Piece Silverware Basket
- 2" Adjustable Racking System
- Stainless Steel Interior

Convenience

- Child Lock
- Rinse Refill Indicator
- Cycle Progress Indicator
- Last Cycle Memory
- Self-Cleaning Filtration System
- Five Sensors (Digital Water Leakage, Overflow, Sanitize, Turbidity, Water Fill)



Hidden Heating Element



Hard Food Disposer

Available Colors



Stainless Steel
(shown)



White



Black

Signature Features

STAINLESS STEEL INTERIOR

- Features a durable stainless steel tub that can help reduce energy consumption and aid in the drying process by retaining heat better than plastic tubs, allowing dishes to dry faster.

HARD FOOD DISPOSER

- Our advanced system allows for disposal of solid food particles with no need to clean a filter.
- Heavy foods are easily washed away without any pre rinsing or scrubbing involved.

HIDDEN HEATING ELEMENT

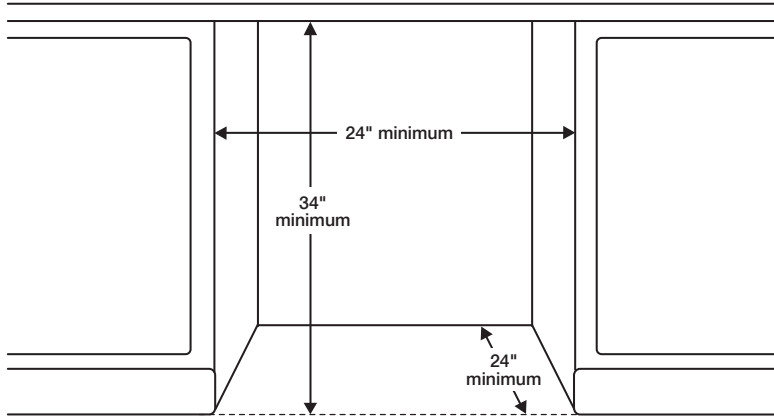
- Hidden Heat Element reduces the risk of melting plastic.

SAMSUNG

DW80J3020US

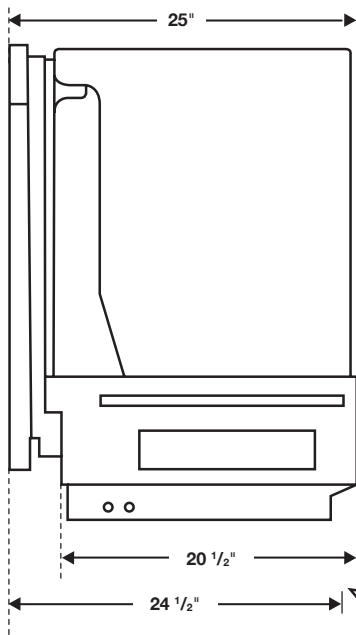
Samsung Dishwasher

Installing Your Dishwasher

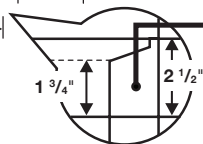
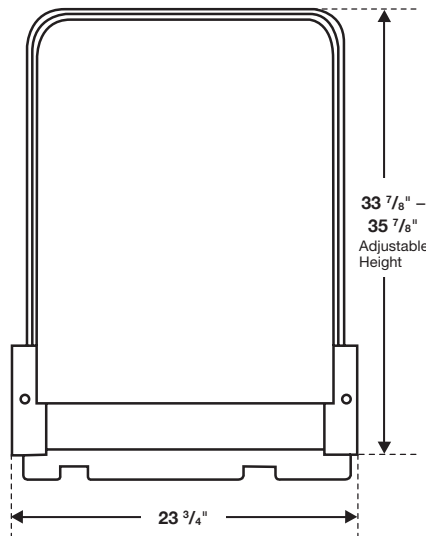


Dimensions

Side View



Rear View



The water supply line, power cable and drain hose should go through this space.

Features

- 4 Wash Cycles: Heavy, Normal, Quick Plus, Auto Wash
- 1 Option: Sanitize (Anti-Bacterial-NSF)
- 4 Control Buttons: Cancel and Drain (2 Buttons), Child Lock (1 Button), Start & Pause (1 Button)
- 2-Stage Filtration
- Hidden Heat Element
- Stainless Steel Interior Tub

Convenience

- Child Lock
- Digital Water Leakage Sensor: Detects Water Leaks Before They Happen and Shuts Off the Dishwasher to Prevent Water Damage.
- Nylon Racking
- 2 Piece Silverware Basket
- Upper Rack: 2 Cup Shelves, 3 Adjustable Tines
- Upper Rack: 2 Fold Down Tine
- Lower Rack: 1 Removable Tine
- Cutlery Sleeves

Warranty

One (1) Year All Parts and Labor

Five (5) Year Limited on Printed Circuit Board and Interior Nylon Racks

Lifetime Limited Warranty on Stainless Steel Door Liner and Tub for Leakage

Product Dimensions & Weight (WxHxD)

Dimensions (height is adjustable):

23³/₄" x 33⁷/₈" – 35⁷/₈" x 24¹/₂"

Weight: 91.1 lbs.

Shipping Dimensions & Weight (WxHxD)

Dimensions: 27¹/₄" x 37³/₄" x 28⁷/₈"

Weight: 106.7 lbs.

Color	Model #	UPC Code
Stainless Steel	DW80J3020US	887276105529
White	DW80J3020UW	887276105543
Black	DW80J3020UB	887276105505

Actual color may vary. Design, specifications, and color availability are subject to change without notice.

Non-metric weights and measurements are approximate.

©2015 Samsung Electronics America, Inc. 85 Challenger Road, Ridgefield Park, NJ 07660. Tel: 800-SAMSUNG. samsung.com. Samsung is a registered trademark of Samsung Electronics Co. Ltd.

SAMSUNG