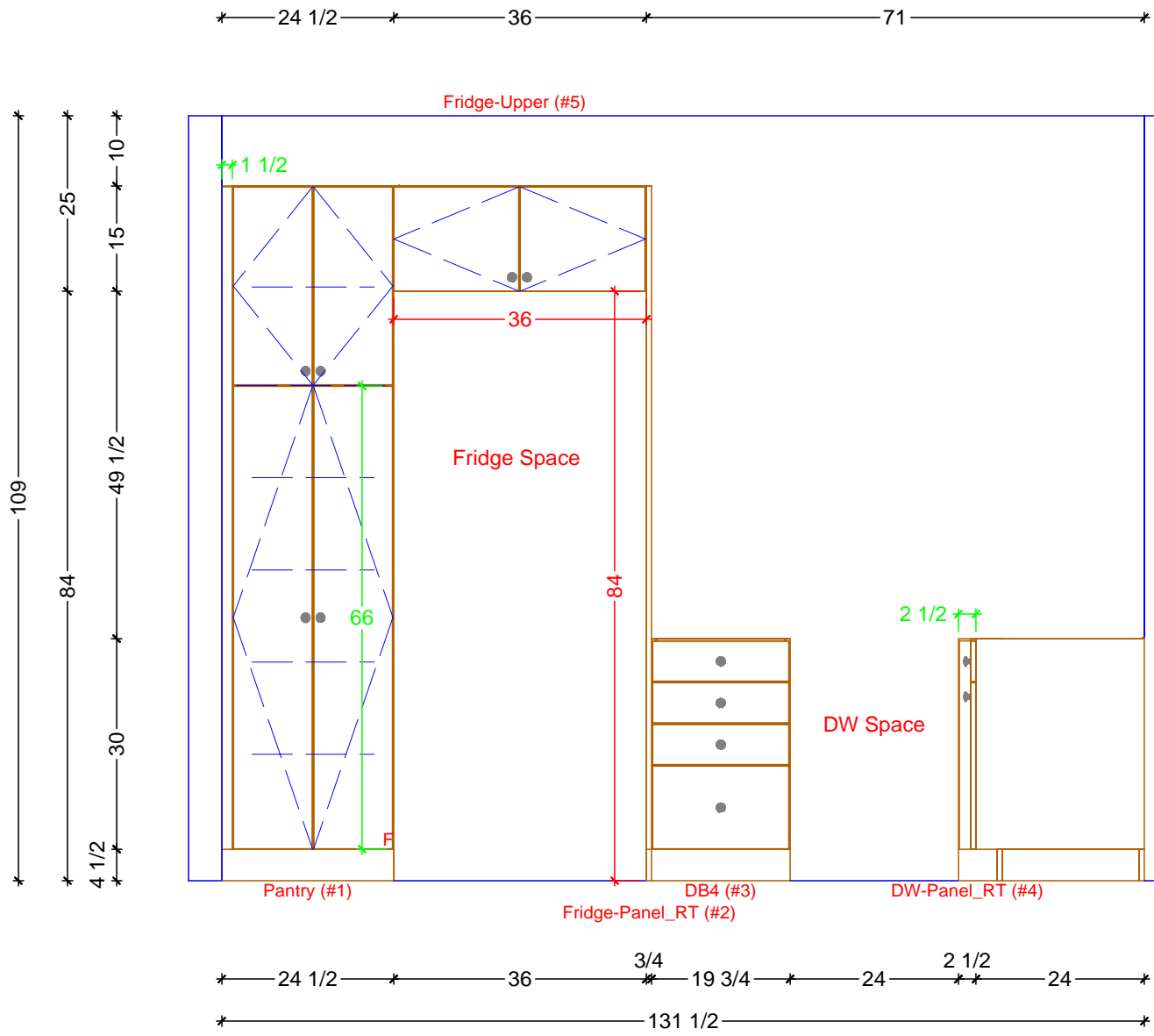
 **KITCHEN CABINETRY FLOOR PLAN**
 SCALE: 3/8" = 1' 0"

Classic Bath Designs, Inc.
 11544 Sheldon St., Sun Valley, CA 91352
 818.767.1144 fax: 818.767.1278



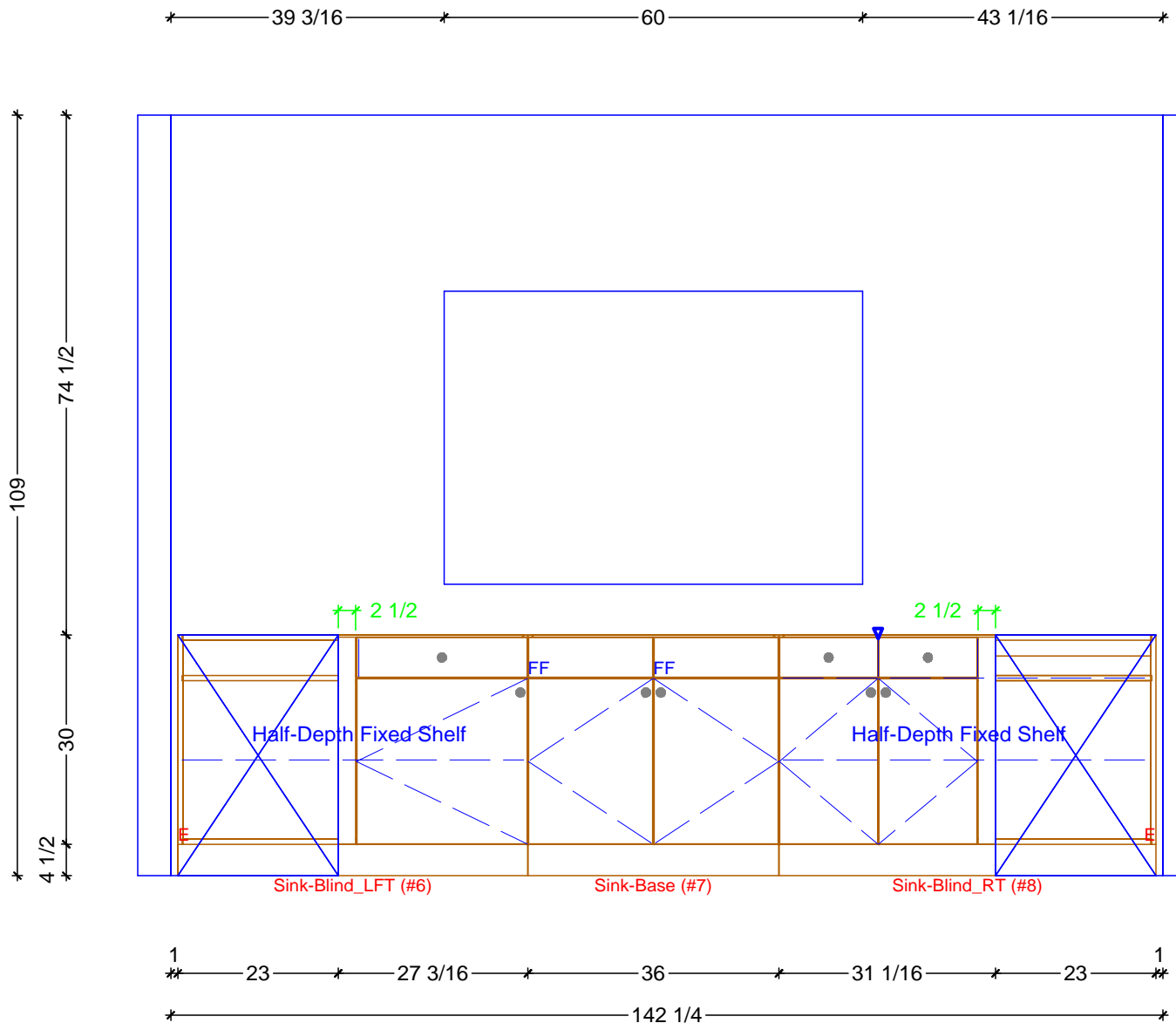
Cust: Ruben	PO# KITCHEN	Scale: As Noted	K.0	
Approved _____	Job: FL/S_MIWh/Pg:perSample_IntEB:MIWh	Size: A		



1 KITCHEN ELEVATION - FRIDGE AND D/W WALL
 SCALE: 1/2" = 1' 0"

Classic Bath Designs, Inc.
 11544 Sheldon St., Sun Valley, CA 91352
 818.767.1144 fax: 818.767.1278

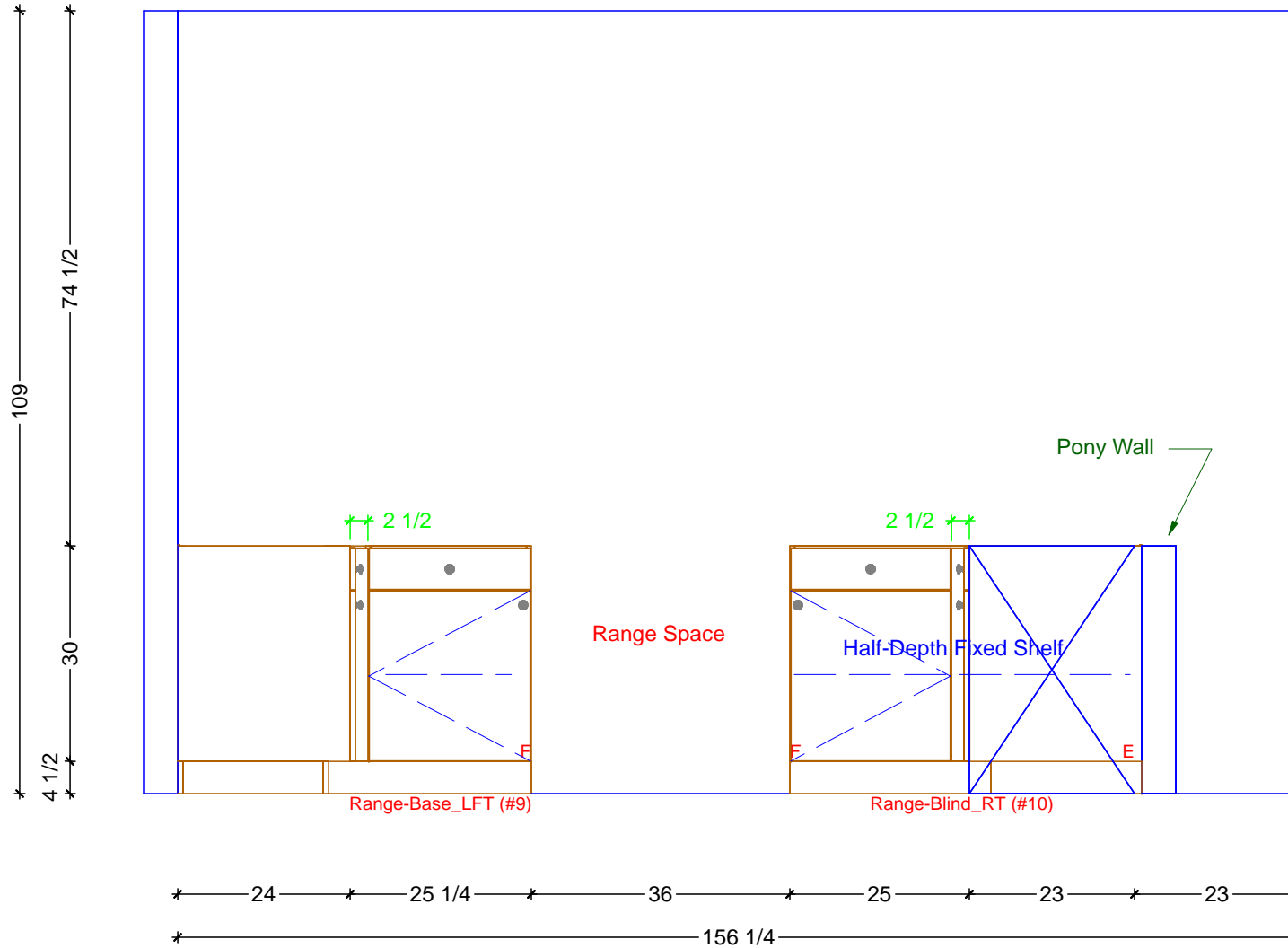
Cust: Ruben	PO# KITCHEN	Scale: As Noted			K.1
Approved _____	Job: FL/S_MIWh/PG:perSample_IntEB:MIWh	Size: A	Dr By: Brian	03/05/17	



1 KITCHEN ELEVATION - SINK WALL
 SCALE: 1/2" = 1' 0"

Classic Bath Designs, Inc.
 11544 Sheldon St., Sun Valley, CA 91352
 818.767.1144 fax: 818.767.1278

Cust: Ruben	PO# KITCHEN	Scale: As Noted	K.2
Approved _____	Job: FL/S_MIWh/PG:perSample_IntEB:MIWh	Dr By: Brian 03/05/17	



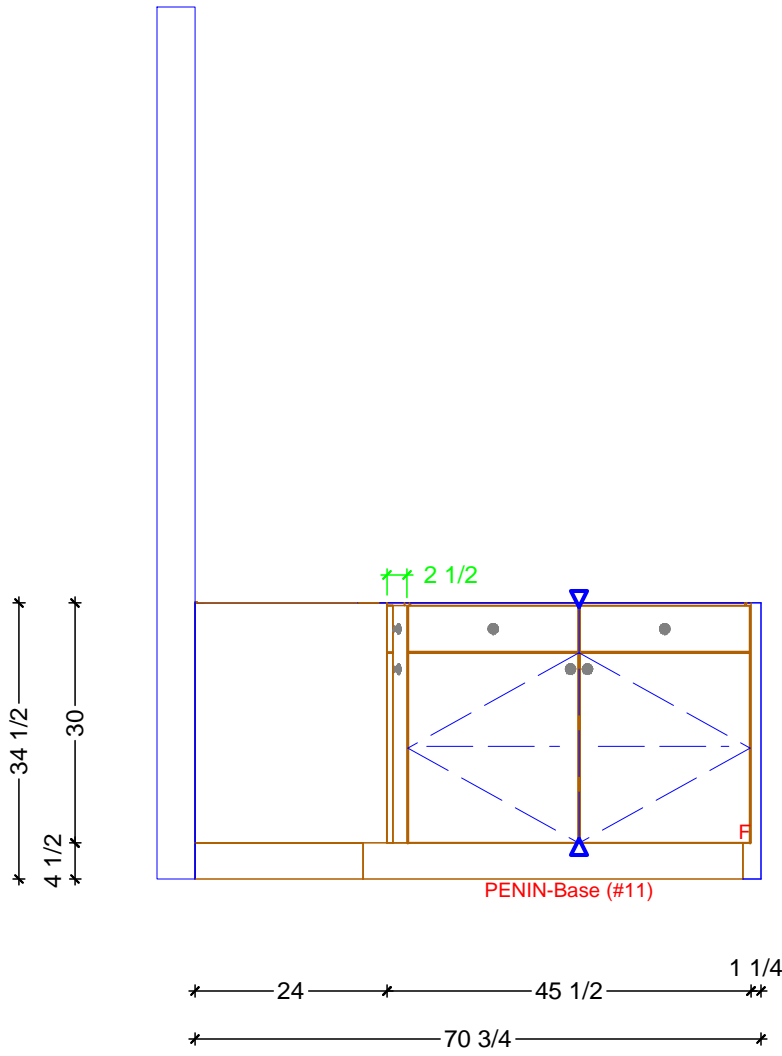
1 KITCHEN ELEVATION - RANGE WALL
SCALE: 1/2" = 1' 0"

Classic Bath Designs, Inc.
11544 Sheldon St., Sun Valley, CA 91352
818.767.1144 fax: 818.767.1278



Cust: Ruben	PO# KITCHEN	Scale: As Noted		
Approved _____	Job: FL/S_MIWh/PG:perSample_IntEB:MIWh	Size: A	Dr By: Brian	03/05/17

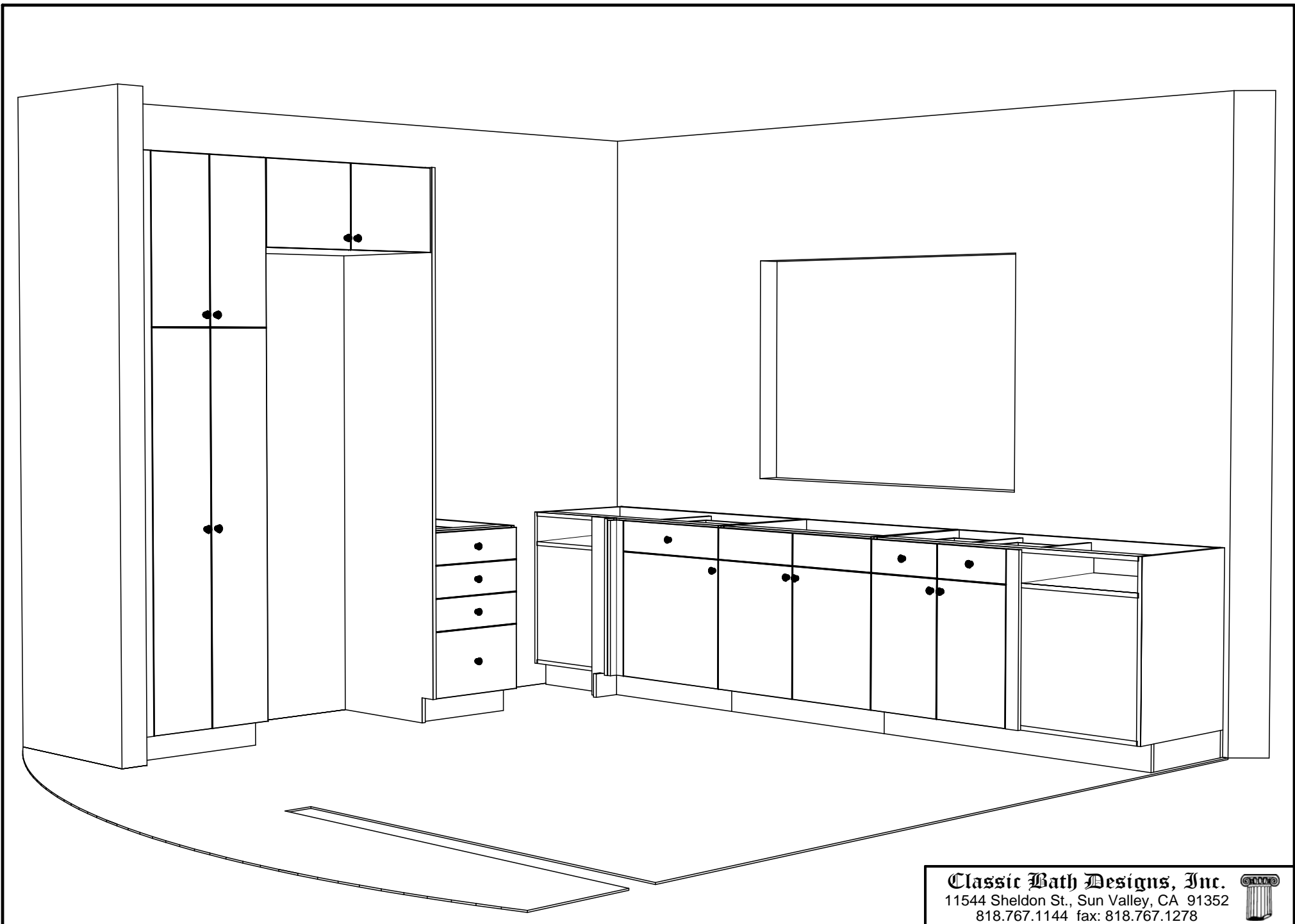
K.3



1 KITCHEN ELEVATION - PENINSULA
 SCALE: 1/2" = 1' 0"

Classic Bath Designs, Inc.
 11544 Sheldon St., Sun Valley, CA 91352
 818.767.1144 fax: 818.767.1278

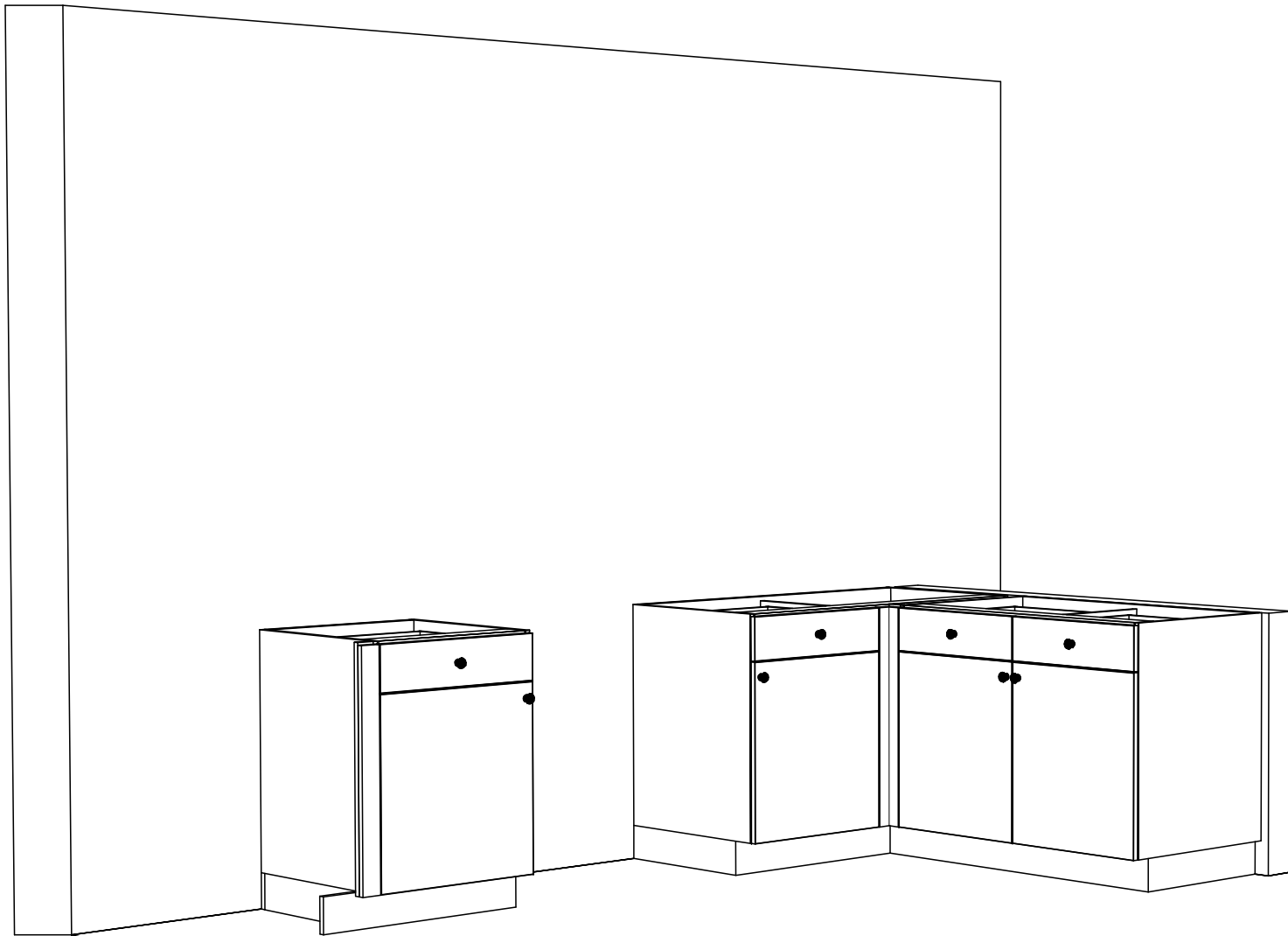
Cust: Ruben	PO# KITCHEN	Scale: As Noted		K.4
Approved _____	Job: FL/S_MIWh/PG:perSample_IntEB:MIWh	Size: A	Dr By: Brian 03/05/17	



Classic Bath Designs, Inc.
11544 Sheldon St., Sun Valley, CA 91352
818.767.1144 fax: 818.767.1278



Cust: Ruben	PO# KITCHEN	Scale: As Noted	
Approved _____	Job: FL/S_MIWh/PG:perSample_IntEB:MIWh	Size: A	Dr By: Brian 03/05/17
			Persp



Classic Bath Designs, Inc.
11544 Sheldon St., Sun Valley, CA 91352
818.767.1144 fax: 818.767.1278



Cust: Ruben

PO# KITCHEN

Scale: As Noted

Approved _____

Job: FL/S_MIWh/PG:perSample_IntEB:MIWh

Size: A

Dr By: Brian

03/05/17

Persp