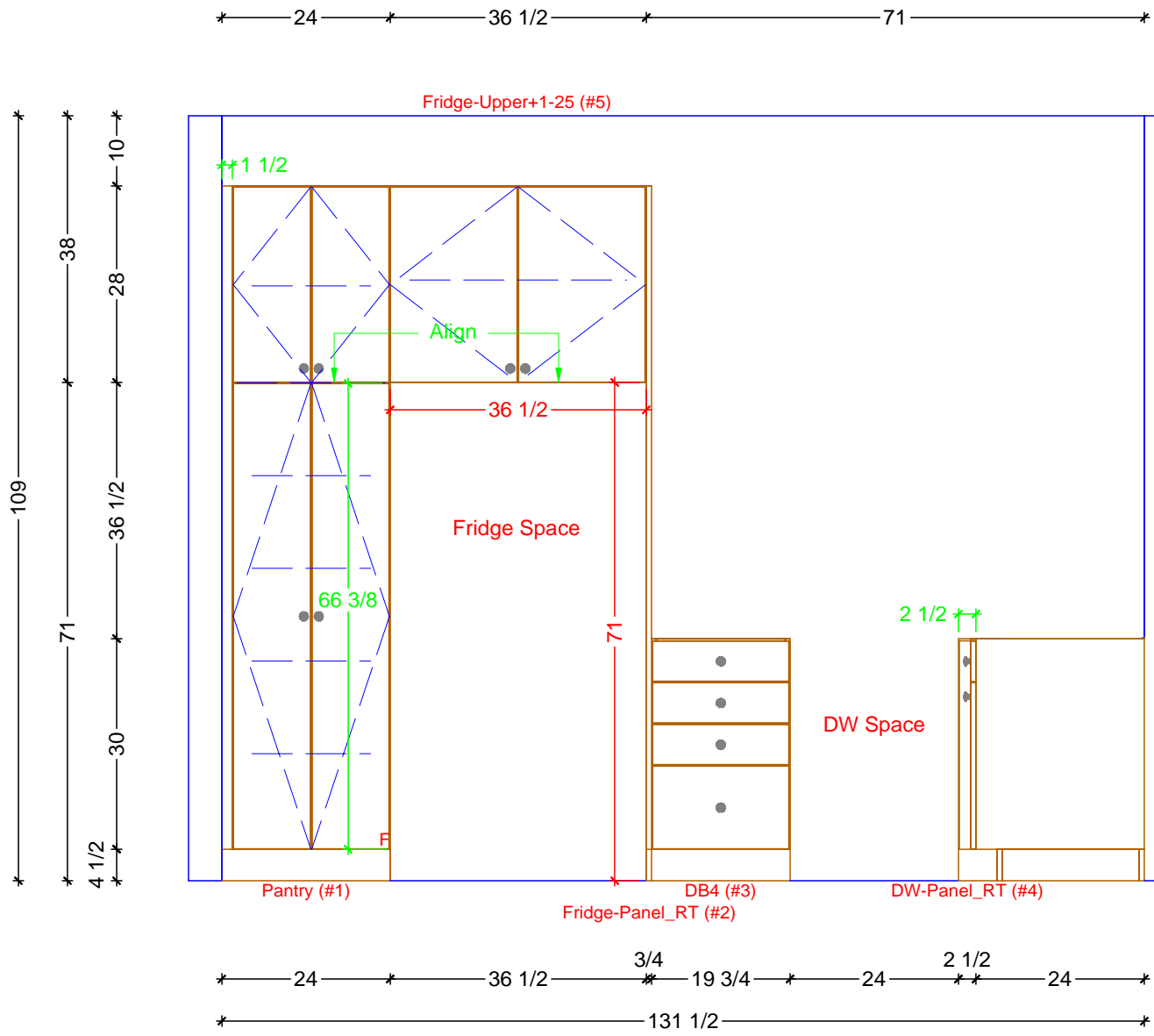

KITCHEN CABINETRY FLOOR PLAN
 SCALE: 3/8" = 1' 0"

Classic Bath Designs, Inc.
 11544 Sheldon St., Sun Valley, CA 91352
 818.767.1144 fax: 818.767.1278



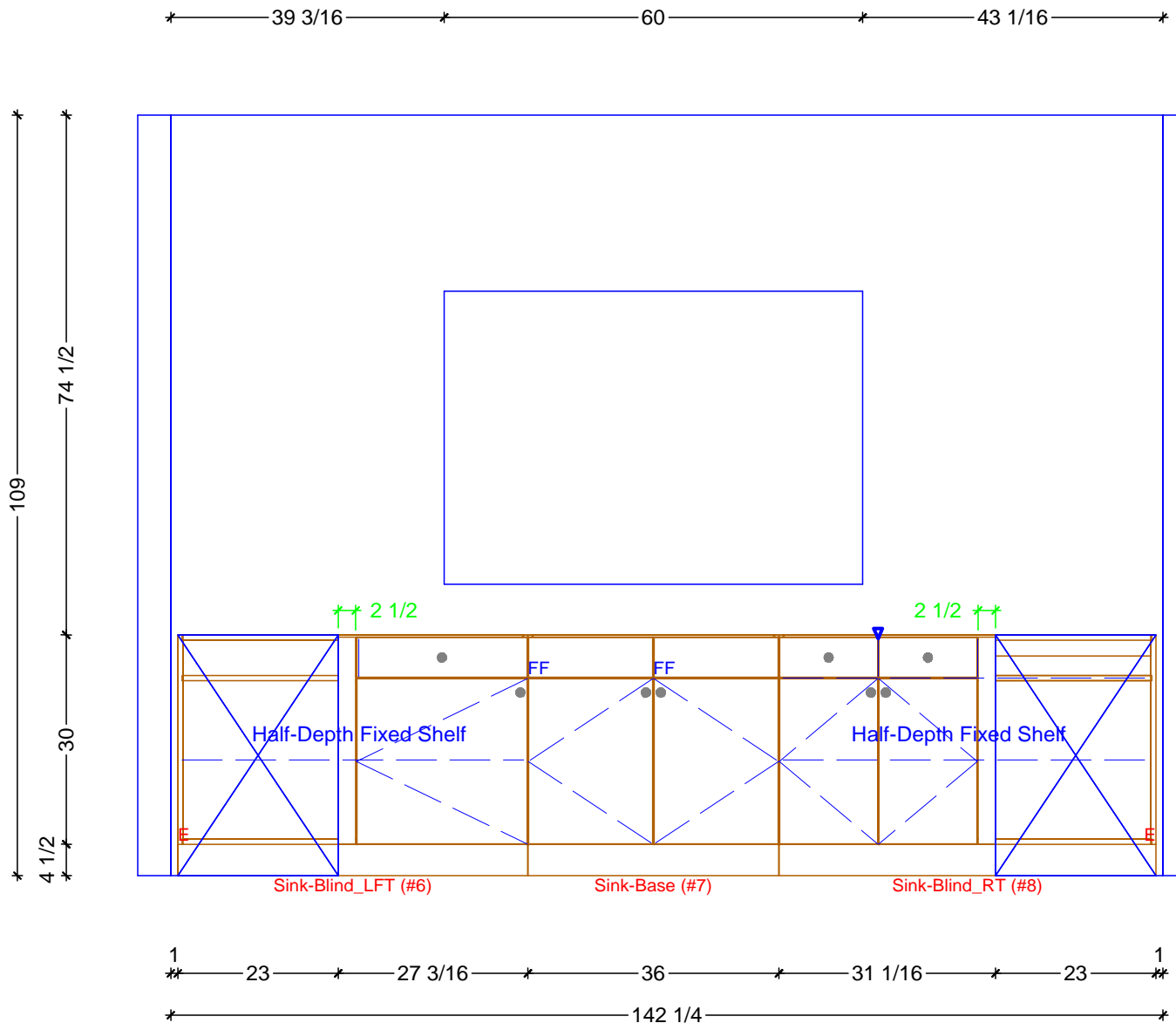
Cust: Ruben	PO# KITCHEN	Scale: As Noted	<h1>K.0</h1>
Approved _____	Job: FL/S_MIWh/Pg:perSample_IntEB:MIWh	Size: A	
		Dr By: Brian 03/08/17	



1 KITCHEN ELEVATION - FRIDGE AND D/W WALL
 SCALE: 1/2" = 1' 0"

Classic Bath Designs, Inc.
 11544 Sheldon St., Sun Valley, CA 91352
 818.767.1144 fax: 818.767.1278

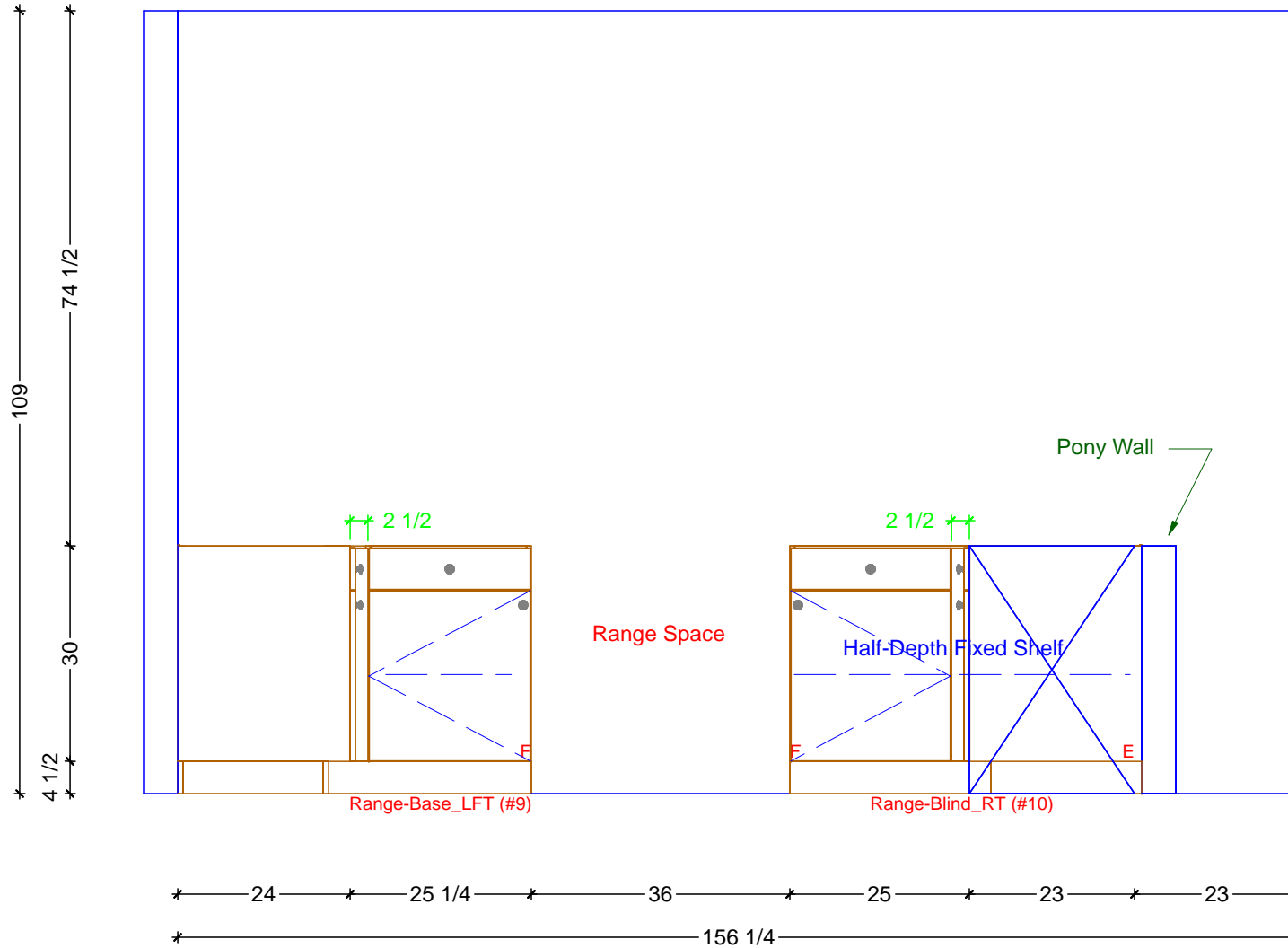
Cust: Ruben	PO# KITCHEN	Scale: As Noted	K.1	
Approved _____	Job: FL/S_MIWh/PG:perSample_IntEB:MIWh	Size: A		



1 KITCHEN ELEVATION - SINK WALL
 SCALE: 1/2" = 1' 0"

Classic Bath Designs, Inc.
 11544 Sheldon St., Sun Valley, CA 91352
 818.767.1144 fax: 818.767.1278

Cust: Ruben	PO# KITCHEN	Scale: As Noted	K.2
Approved _____	Job: FL/S_MIWh/PG:perSample_IntEB:MIWh	Size: A	
		Dr By: Brian	03/08/17



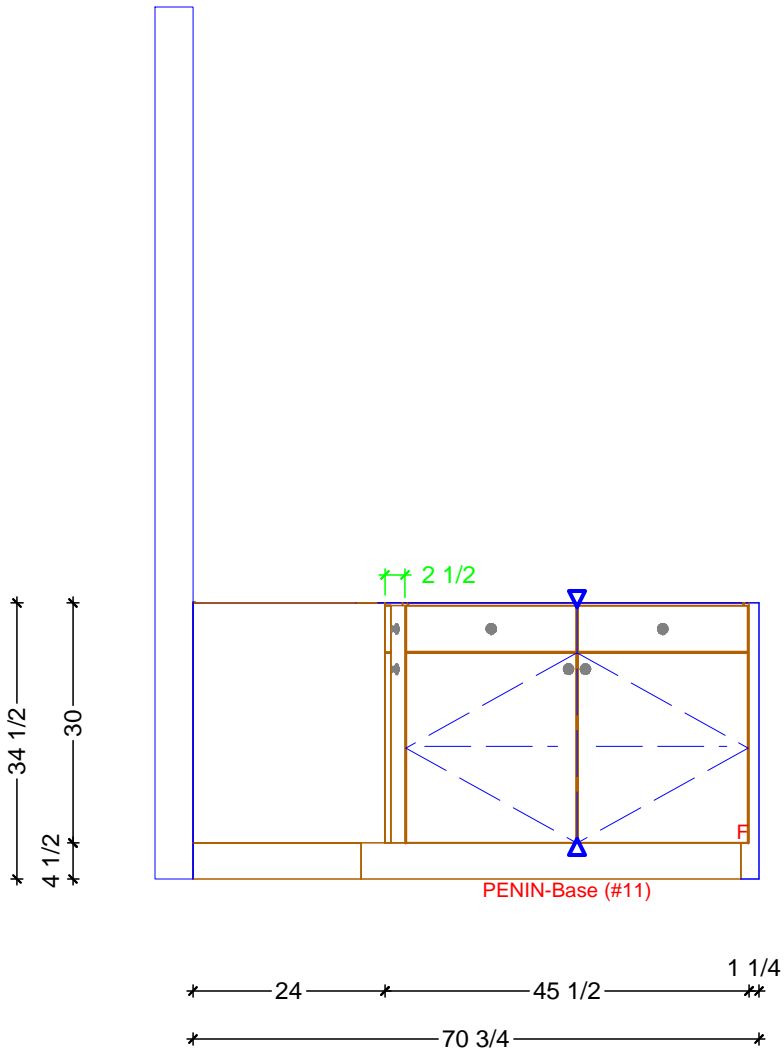
1 KITCHEN ELEVATION - RANGE WALL
SCALE: 1/2" = 1' 0"

Classic Bath Designs, Inc.
11544 Sheldon St., Sun Valley, CA 91352
818.767.1144 fax: 818.767.1278



Cust: Ruben	PO# KITCHEN	Scale: As Noted		
Approved _____	Job: FL/S_MIWh/PG:perSample_IntEB:MIWh	Size: A	Dr By: Brian	03/08/17

K.3



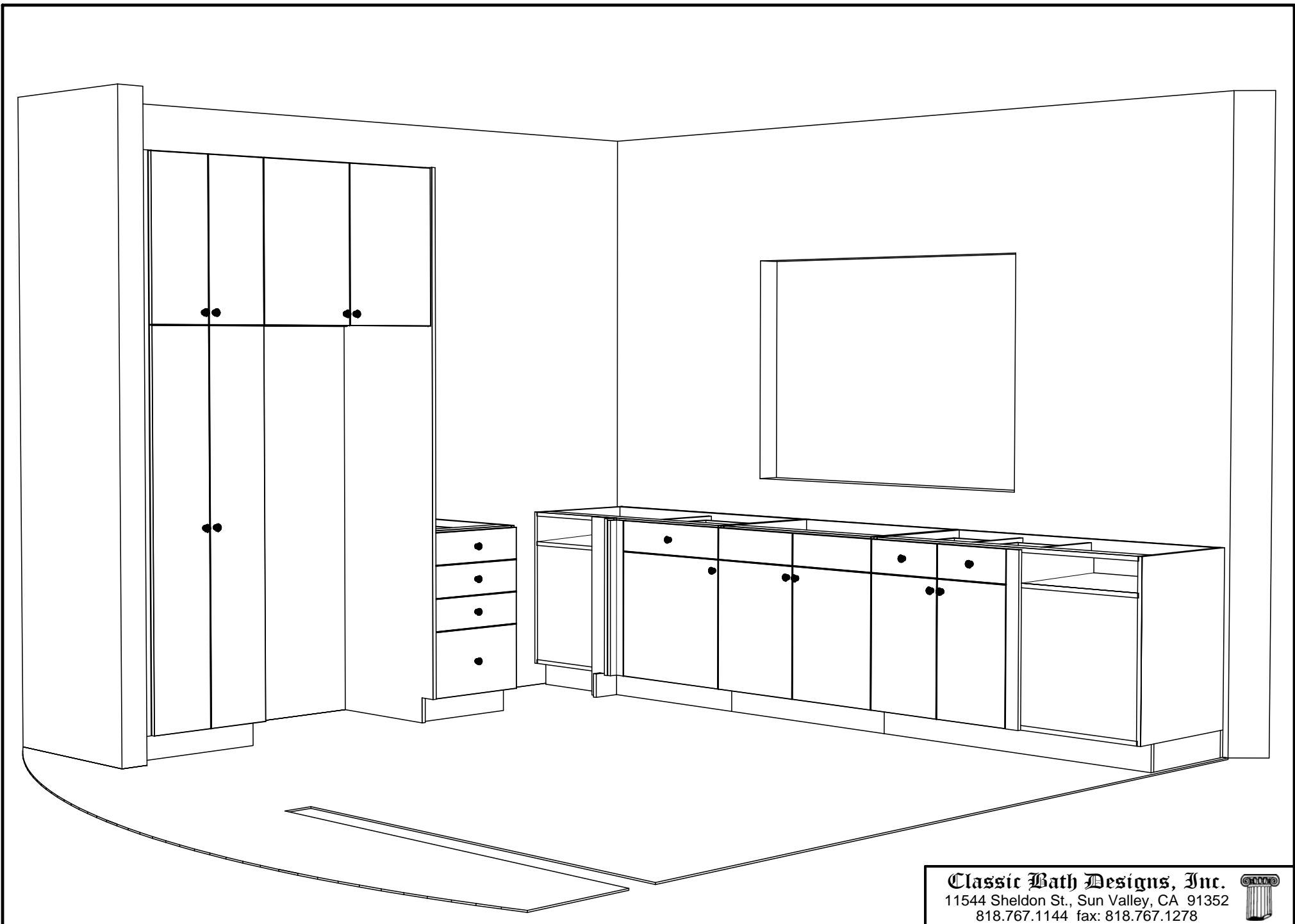
1 KITCHEN ELEVATION - PENINSULA
SCALE: 1/2" = 1' 0"

Classic Bath Designs, Inc.
11544 Sheldon St., Sun Valley, CA 91352
818.767.1144 fax: 818.767.1278



Cust: Ruben	PO# KITCHEN	Scale: As Noted		
Approved _____	Job: FL/S_MIWh/PG:perSample_IntEB:MIWh	Size: A	Dr By: Brian	03/08/17

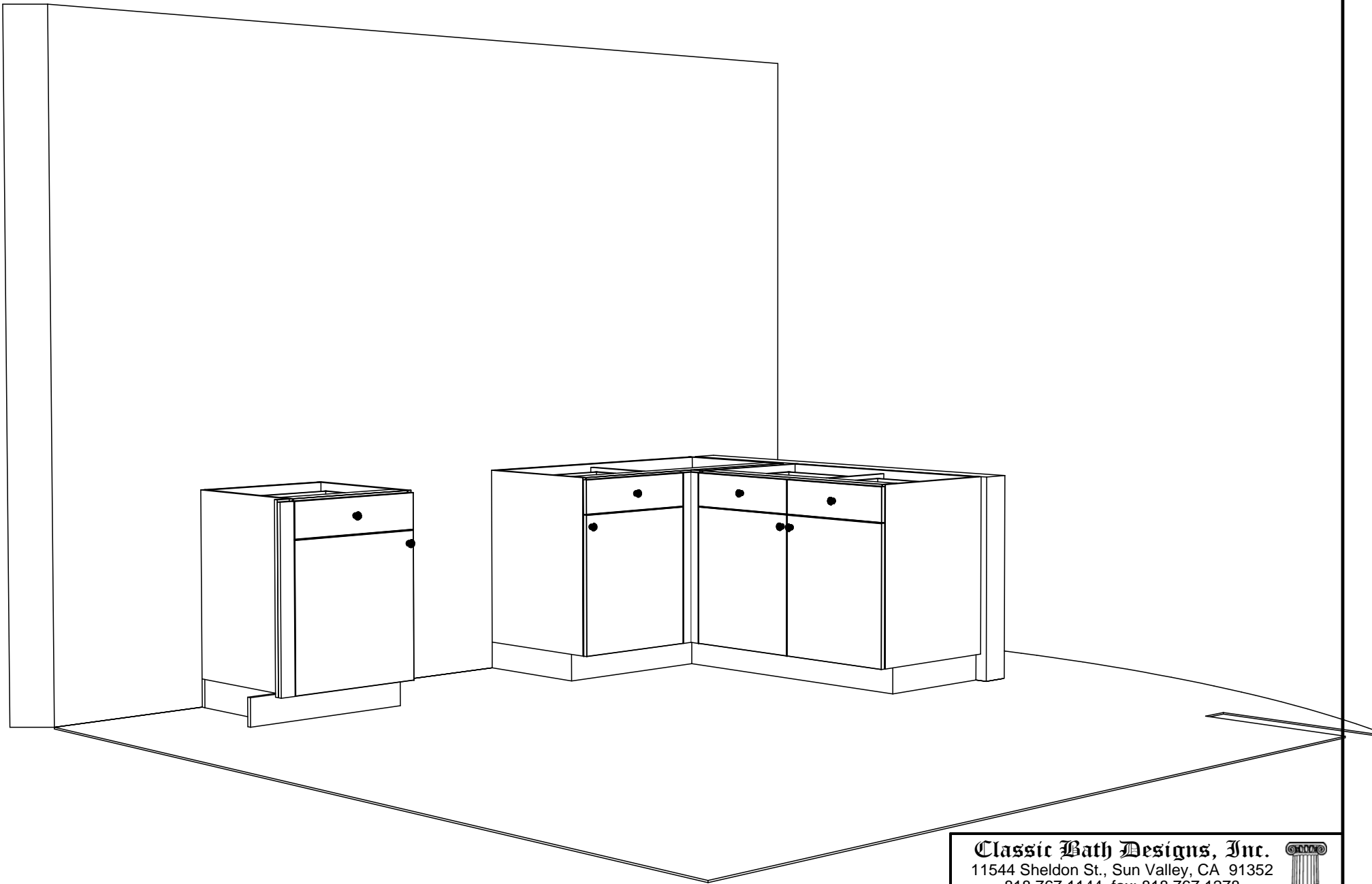
K.4



Classic Bath Designs, Inc.
 11544 Sheldon St., Sun Valley, CA 91352
 818.767.1144 fax: 818.767.1278



Cust: Ruben	PO# KITCHEN	Scale: As Noted			
Approved _____	Job: FL/S_MIWh/PG:perSample_IntEB:MIWh	Size: A	Dr By: Brian	03/08/17	Persp



Classic Bath Designs, Inc.
11544 Sheldon St., Sun Valley, CA 91352
818.767.1144 fax: 818.767.1278



Cust: Ruben

PO# KITCHEN

Scale: As Noted

Approved _____

Job: FL/S_MIWh/Pg:perSample_IntEB:MIWh

Size: A

Dr By: Brian

03/08/17

Persp