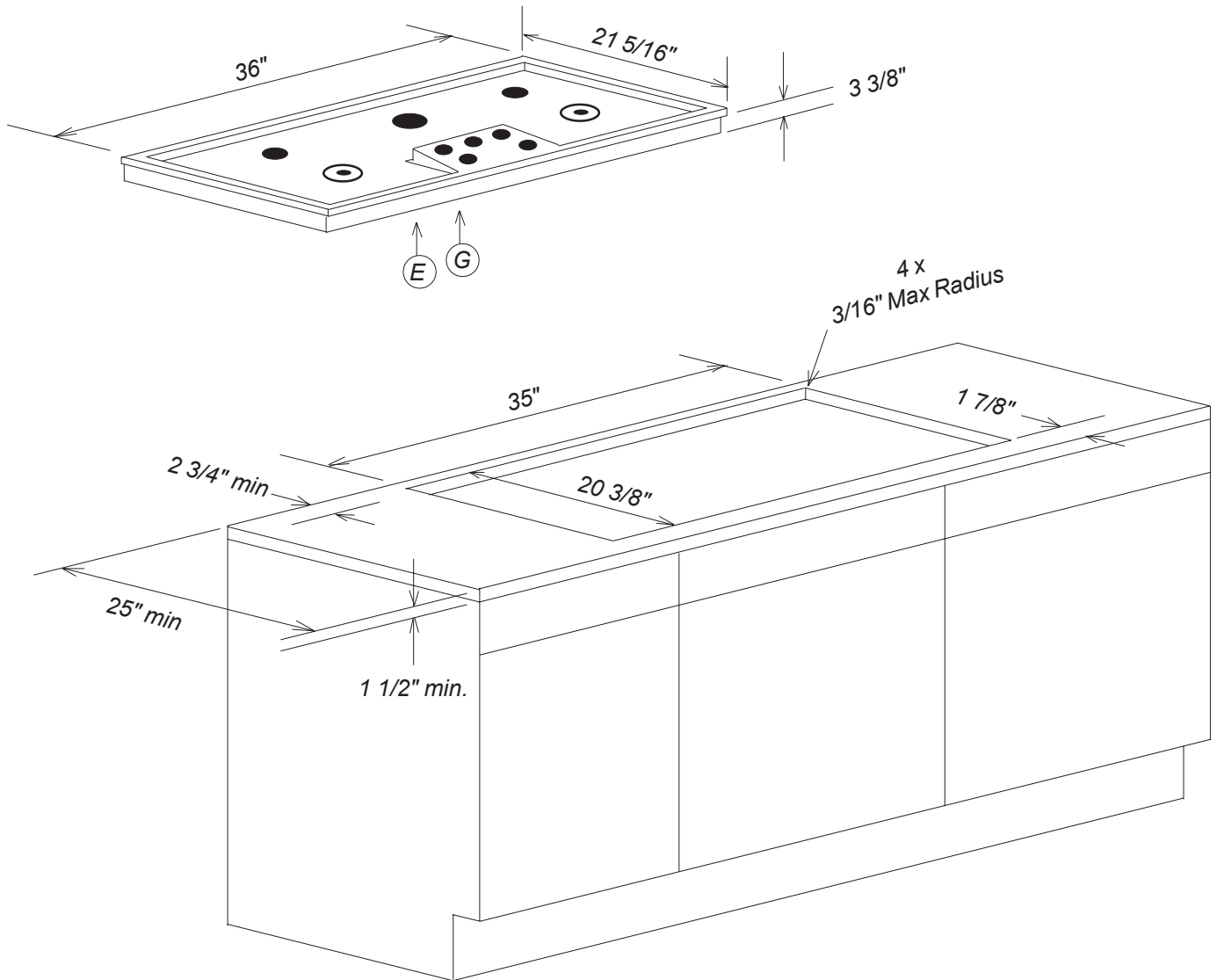


Product and Cut-out Dimensions

Sealed Gas Cooktop

KM342G / KM342LP



Location Codes

- E - 6 foot -110 Volt - 15 Amp (NEMA 5-15) 3-wire power supply connects rear center bottom.
- G - Gas connects rear center bottom.
MUST USE REGULATOR.

Notes

- Please specify KMTT 5A or KMTT 5B Grate Set when ordering.
- All installations must be done in accordance with local codes.

NOTE: Drawing is not to scale.
SPECIFICATION SHEETS 010202