

IMPORTANT SAFETY INSTRUCTIONS

Installation

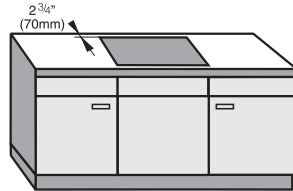
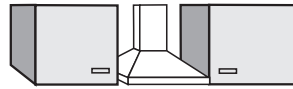
The minimum distances given in these Installation Instructions must be observed in order to ensure safe operation. Failure to do so increases the risk of fire.

The cabinetry and venting hood should be installed first, to prevent damage to the cooktop.

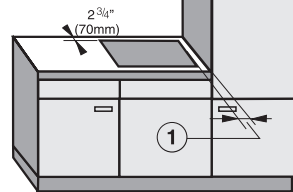
- Gas appliances should only be installed in a well ventilated area.
- The countertop must be bonded with heat resistant (212 °F / 100 °C) adhesive to prevent distortion or dissolving.
- The cooktop should only be installed as shown in the illustrations, while maintaining the required safety distances shown. Do not install the cooktop between two tall cabinets, this is a fire hazard.

① = minimum distance between the cooktop and a tall cabinet: 12" (305 mm)

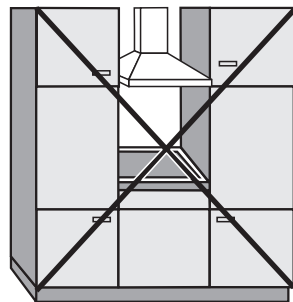
■ This equipment has not been designed for maritime use or for use in mobile installations such as aircraft or recreational vehicles. However, under certain circumstances it may be possible for installation in these applications. Please contact the nearest Miele Dealer or the Miele Technical Service Department with specific requirements.



recommended



not recommended



not allowed

IMPORTANT SAFETY INSTRUCTIONS

Deep fat fryers must not be installed next to gas cooktops. Gas flames can ignite splattering oil. A distance of at least 12" (305 mm) should be maintained between these two appliances. The minimum distance between two cooktops must be 4" (10 cm).

Cooktops should not be installed above a dishwasher, washer, dryer, freezer or refrigerator. The heat generated by cooktops could damage these appliances.

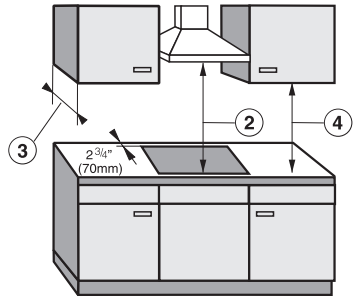
Install the appliance so that the power cord or gas piping does not come in contact with any portion of the cooktop which may become hot during use.

This appliance must be installed with its own shut off valve and the included gas pressure regulator. Both the valve and the regulator must be easily accessible to the consumer to turn on or shut off the gas supply after the appliance is installed.

This appliance must be disconnected from the gas supply during any pressure testing of the system performed in excess of $\frac{1}{2}$ psi (3.5 kPa). This machine must be isolated at test pressures equal to or less than $\frac{1}{2}$ psi (3.5 kPa).

Any pipe connections must be made using a thread sealant approved for gas connections. Failure to correctly install these items could lead to a gas leak and subsequent explosion.

Safety distances above the appliance



As a general rule there must be at least 30" (760 mm), (2), between the top of the appliance and any cabinet above it. The maximum depth, (3), of cabinets installed above a cooktop must not exceed 13" (330 mm). The minimum distance of combustible surfaces located above and to the sides of the cooktop, (4), is 18" (457 mm).

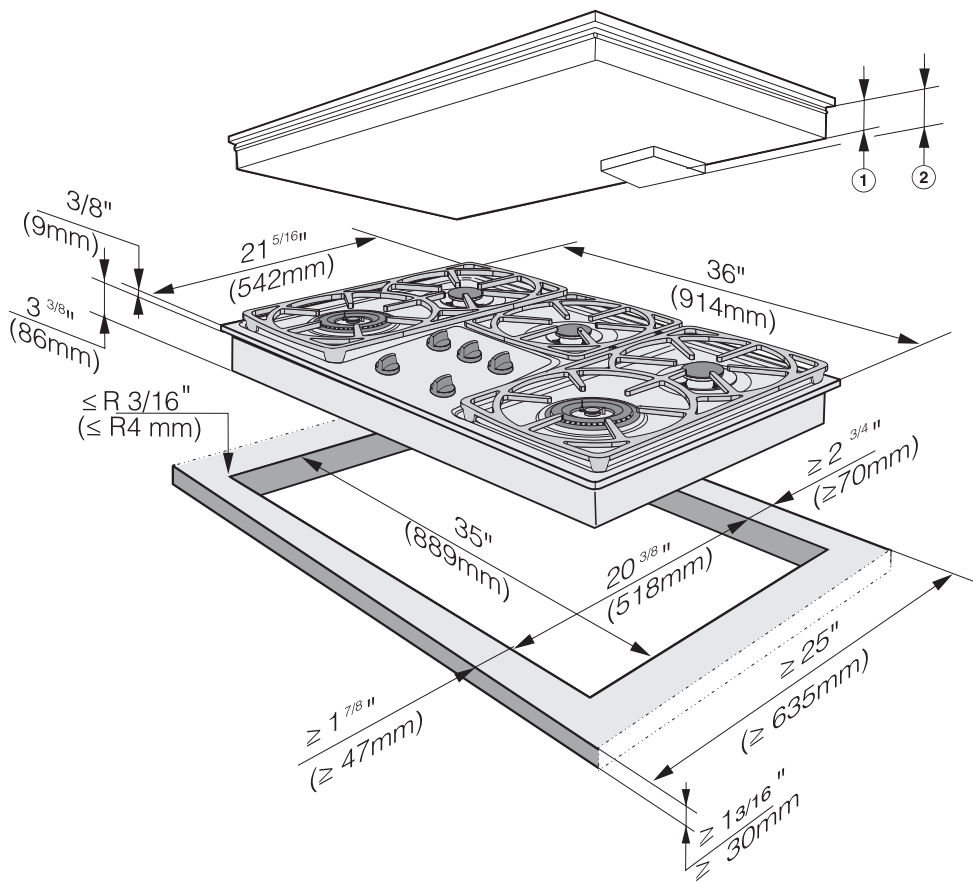
If the cabinet manufacturer recommends a greater distance, follow that manufacturers recommendation.

When installing the cooktop under a venting hood, always observe the minimum safety distance recommended by the hood manufacturer.

Keep this instruction book in a safe place for future reference and pass it on to any future owner.

Appliance dimensions

KM 342

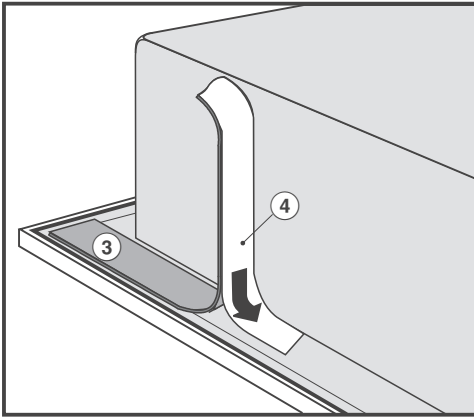


① Built-in depth KM 342 (stainless steel)
2 5/16" (58 mm)

② Built-in depth KM 342 (black or white)
3 3/8" (86 mm)

Installation

Setting the cooktop into place



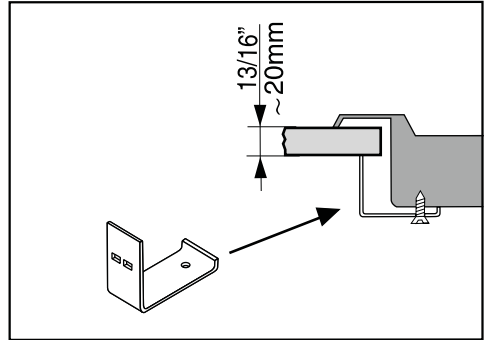
- After removing the protective backing, ④, stick the supplied seal, ③, under the edge of the cooktop.
- Screw the gas regulator onto the nipple underneath the cooktop. (See "Gas Connection - Gas pressure regulator".)
- Feed the power cord through the cut-out to the power outlet.
- Set the cooktop in the cut-out and center it.

Install the appliance so that the power cord and gas piping does not come in contact with any portion of the cooktop which may become hot during use.

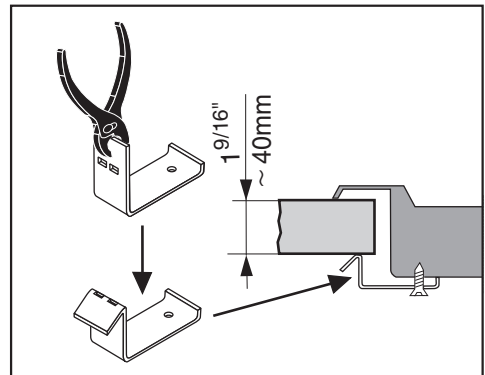
Securing the cooktop

- Secure the cooktop with the included fixing bracket.

Countertop $1\frac{3}{16}$ " (20 mm)



Countertop $1\frac{9}{16}$ " (40 mm)



Electrical connection

This appliance must be electrically grounded according to local or national codes.

All electrical work should be performed by a qualified electrician in accordance with local codes and the:

- National Electrical Code ANSI / NFPA No. 70 for the USA
- or
- Canadian Electrical Code Part I for Canada (CSA Standard C 22.1).

This appliance is equipped with a three-prong grounding plug to prevent shock hazards. It should be plugged directly into a properly grounded outlet. Do not cut or remove the grounding prong from the plug. If the plug does not fit the outlet, have a proper outlet installed by a licensed electrician.

To guarantee the electrical safety of this appliance, continuity must exist between the appliance and an effective grounding system. It is imperative that this basic safety requirement be met. If there is any doubt, have the electrical system of the house checked by a qualified electrician.

The manufacturer cannot be held responsible for damages caused by the lack, or inadequacy, of an effective grounding system.

WARNING:

Disconnect the appliance from the main power supply before installation or service. To reduce the risk of electric shock, make sure that the appliance is properly grounded after installation.

Power supply:

The automatic ignition requires that the cooktop be connected to a 120 VAC, 60 Hz power supply. The supply line should be protected by a 15A fuse.

Actual power consumption (during ignition only) is 25W.

This appliance is equipped with a 4 ft. (1.2 m) long power cord that is ready for connection to the appropriate outlet.

Please place the power outlet so that it is accessible after the appliance has been installed in the countertop.

Note to the installer:

Please leave these instructions with the consumer or the appliance.

Gas connection

Installation and service must be performed by a qualified installer, service agency or the gas supplier.

In Massachusetts a licensed plumber / gas fitter is required.

This appliance must be installed with its own shut off valve and the included gas pressure regulator. Both the valve and the regulator must be easily accessible to the consumer to turn on or shut off the gas supply after the appliance is installed.

This appliance and its individual shut off valve must be disconnected from the gas supply during any pressure testing of the system performed in excess of $\frac{1}{2}$ psi (3.5 kPa), or isolated from the gas supply line by closing its individual manual shut off valve at test pressures equal to or less than $\frac{1}{2}$ psi (3.5 kPa).

Any pipe connections must be made using a thread sealant approved for gas connections. Failure to correctly install these items could lead to a gas leak and subsequent explosion.

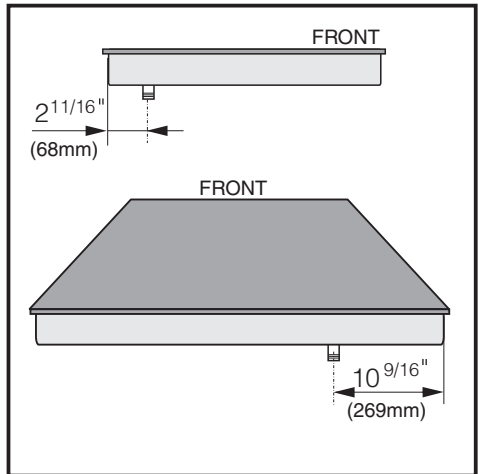
The gas connection must be made in accordance with local codes or, in the absence of local codes, with:

- the National Fuel Gas Code, ANSI Z 223.1 / NFPA 54 for the USA.
- or
- the current Can / CGA B 149.1 and .2 Installation Codes for gas burning appliances for Canada.

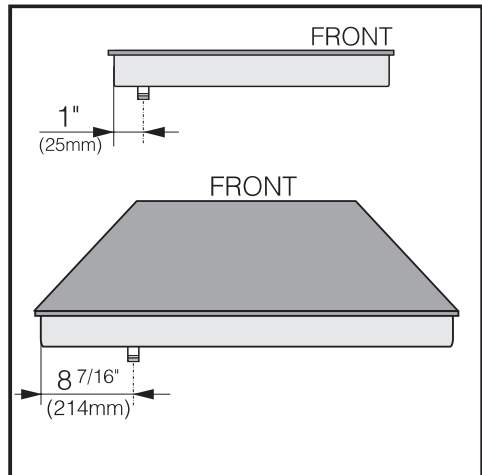
Make sure that the maximum gas supply pressure, before the gas pressure regulator, is never more than $\frac{1}{2}$ psi for both natural gas or LP gas.

The minimum supply pressure to get the required gas input is:
6" w.c. for natural gas
10" w.c. for LP gas.

KM 342



KM 344



Gas connection

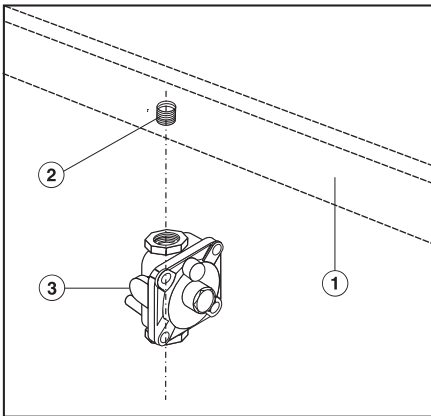
Gas pressure regulator

A pressure regulator that is convertible from natural to LP gas is included with the appliance. The included regulator corresponds with the gas type of the cooktop. Verify before installing.

The adjusted pressure is:

natural gas - 4" w.c.

LP gas - 10" w.c.



- ① Cooktop
- ② 1/2" NPT
- ③ Regulator

As shown in the above diagram, the included regulator **must** be used when connecting the Miele cooktop to your gas supply. This item has been customized by Miele to meet all applicable safety requirements. Make sure the regulator is easily accessible for adjustment after the appliance has been installed.

For convenience, an AGA or CGA approved flexible stainless steel gas hose (accordion type) may be used between the gas connection and the regulator. This will allow the appliance to be lifted out of the countertop for cleaning or servicing. Make sure that any drawers, cabinet doors, etc., do not rub on this gas hose.

Do not use any regulator unless it has been supplied by Miele. Doing so may cause a gas leak.

If there is any doubt concerning installation contact the Miele Technical Service Department at:

(USA) 1-800-999-1360
techserv@mieleusa.com

(CDN) 1-800-565-6435
service@miele.ca

After connecting the appliance check all fittings for gas leaks e.g. with soapy water.

When installed properly, the flame will be steady and quiet. It will also have a sharp, blue inner core that will vary in length proportional to the burner size. Flame adjustment will not be necessary.

Nominal Rating Table

	KM 342 G		KM 344 G	
	NG / LP-Gas		NG / LP-Gas	
Normal burner	BTU/hr	kW	BTU/hr	kW
Max. output	9000	2.6	9000	2.6
Min. output	1700	0.50	1700	0.5
Fast burner				
Max. output	12000	3.5	12000	3.5
Min. output	2500	0.73	2500	0.73
Wok burner left				
Max. output	15300	4.5	15300	4.5
Min. output	620	0.18	620	0.18
Wok burner right				
Max. output	15300	4.5	16500	4.8
Min. output	620	0.18	620	0.18
All burners				
Max. output	60600	17.7	73800	21.6

Converting to another type of gas

The cooktop should have been ordered for connection to either natural or LP gas (propane).

If the cooktop is not configured for the proper type of gas connection please contact your Miele Dealer.

If the appliance is to be connected to a type of gas other than it was originally configured for, both the regulator and burners must be converted. A conversion kit is available as an optional accessory from the Miele Technical Service Department.