

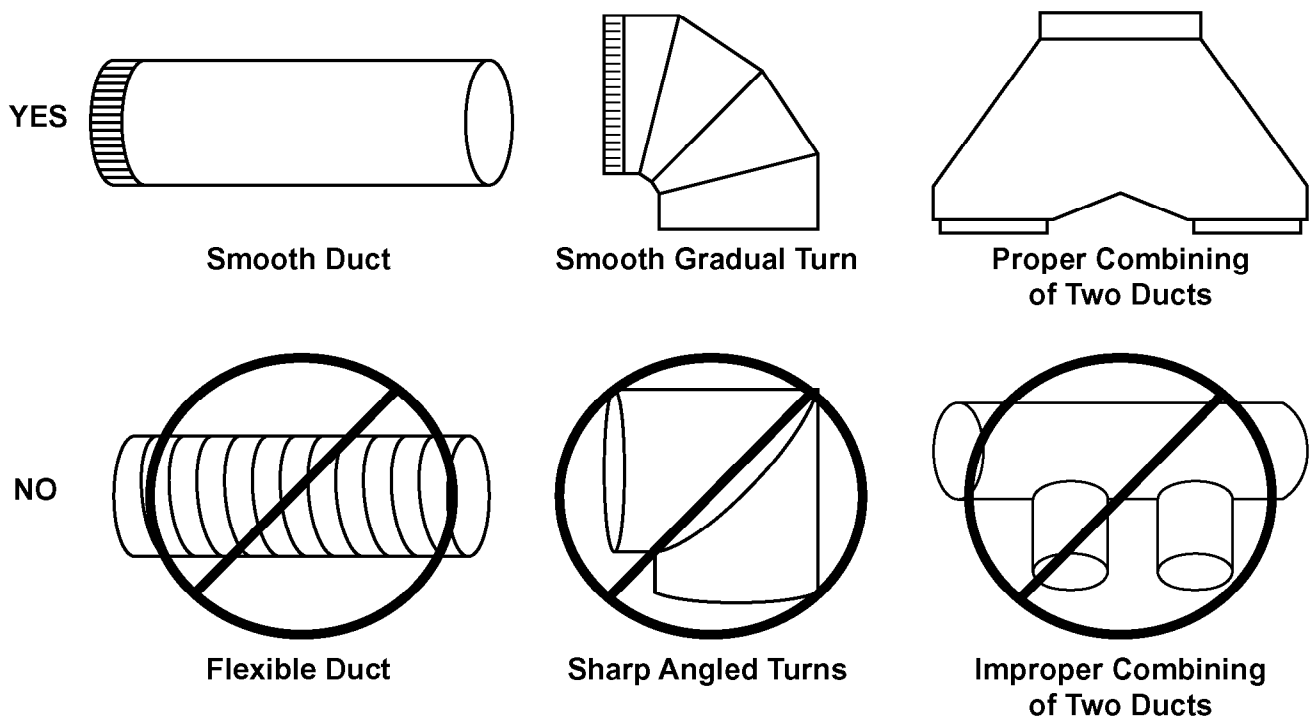
# Vent-A-Hood®

## Ducting Do's and Don'ts

**NEVER** restrict the duct size. The single blower unit (B100) requires 6" round duct or equivalent (28 square inches), and the dual blower unit (B200) requires 8" round duct or equivalent (50 square inches). When combining ducts together, the square inch area must reflect the total square inch area of the ducts being combined. Using Vent-A-Hood transitions (back page) will ensure proper efficiency.

Blower	Duct Size	Sq. Inch Area	Vent-A-Hood Transition
Single (B100)	6" round or equivalent	28"	N/A
Dual (B200)	8" round or equivalent	50"	N/A
Single and Dual (B100 & B200)	10" round or equivalent	79"	VP562 (Optional)
Two Dual (Two B200s)	12" round or equivalent	113"	VP563 (Optional)

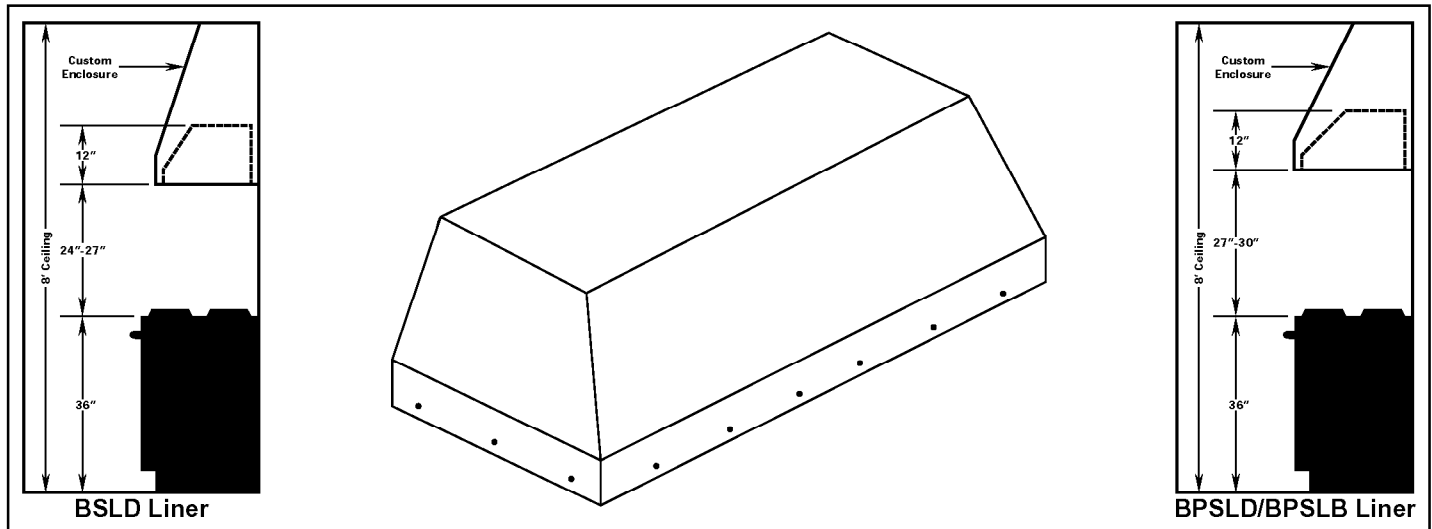
Do not use flexible or corrugated duct. This type of duct will restrict airflow and reduce performance. Only use smooth, galvanized, metal duct. Observe local codes regarding special duct requirements and placement of duct against combustibles. Make the duct run as short and as straight as possible with as few turns as possible. Avoid sharp-angled turns. Instead, use smooth, gradual turns such as adjustable elbows or 45 degree angled turns. For duct runs over 20 feet, increase the duct diameter by one inch for every ten feet of duct. A 90 degree elbow is equal to 5 feet of duct. Using Vent-A-Hood roof jacks or wall louvers (back page) will ensure proper efficiency. Airflow must not be restricted at the end of the duct run. Do not use screen wire or spring-loaded doors on wall louvers or roof jacks. Do not terminate venting into an attic or chimney. Where possible, seal joints with duct tape. The hood must be ducted to the outdoors without restrictions.



# Vent-A-Hood®

## Installation Details

- 1) Read all instructions thoroughly before beginning installation. Note: These instructions apply to standard liners only. Custom liners may require additional specification consideration.
- 2) When installing a BHSLD wall mount liner (19 1/4" deep), it is recommended that the bottom edge of the liner be located no more than 24" - 27" from the cooking surface. For BHPSLD and BHPSLB wall mount liners (22 1/2" deep), it is recommended that the bottom edge of the liner be located no more than 27" - 30" from the cooking surface. For custom liners, the recommended height off the cooking surface is dependent on the depth of the liner. In general, the deeper the custom liner, the higher off the cooking surface it can be, up to a maximum recommended height of 30". Exceeding recommended mounting height may compromise performance.



- 3) Install the duct(s) from the outside of the home down to the location of the exhaust outlet(s) on the top of the liner allowing room for the transition (if applicable). If back venting, the elbow(s) should be installed so that the non-crimped end(s) are on the inside the collar(s) of the exhaust outlet(s). If a transition is used, install duct down to the location of the transition outlet plus 1". This will allow the transition to engage 1" inside of duct. Consult the connection diagrams (next page) for further details on exhaust outlet placement.

Use duct tape to seal all joints. A complete listing of available Vent-A-Hood ducting materials is included on the back page of this instruction sheet.

Transition heights are as follows:

Single Blower (B100):

6" round duct will connect directly to the top of the liner.

Dual Blower (B200):

8" round duct will connect directly to the top of the liner.

Single and Dual Blower (B100 & B200):

6" round duct will connect directly to the top of the hood; 8" round will connect directly to the top of the hood. Optional 10" round combination transition (VP562, sold separately) is 17 1/2" tall.

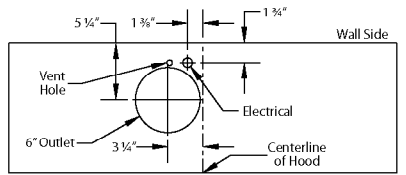
Two Dual Blowers (Two B200s):

Two 8" rounds connect directly to the top of the hood. Optional 12" round combination transition (VP563, sold separately) is 16 1/2" tall.

# VentA Hood®

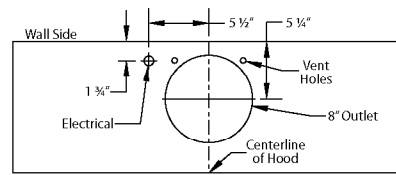
## Installation Details Continued

### Connection Diagram (28 3/8" - 40 3/8" Widths)



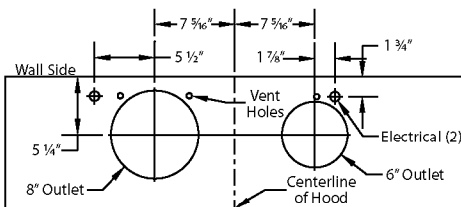
**300 CFM B100 Single Blower  
(Top View)**

### Connection Diagram (28 3/8" - 52 3/8" Widths)



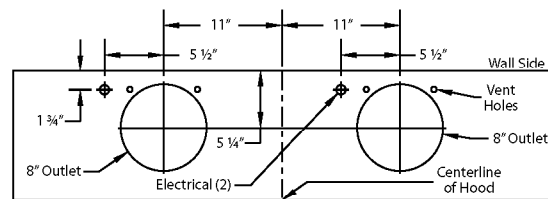
**600 CFM B200 Dual Blower  
(Top View)**

### Connection Diagram (46 3/8" - 58 3/8" Widths)



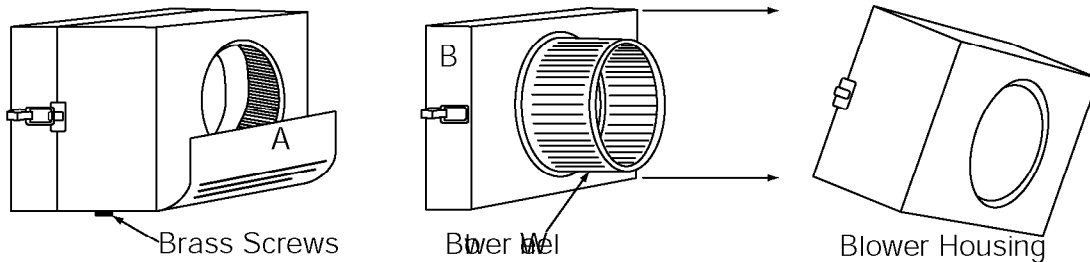
**900 CFM B200 Dual & B100 Single Blower  
(Top View)**

### Connection Diagram (46 3/8" - 64 3/8" Widths)

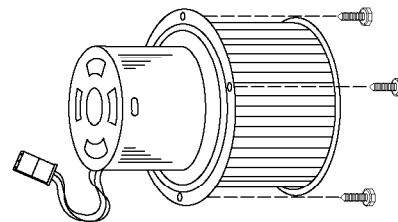


**1200 CFM Double B200 Dual Blowers  
(Top View)**

- 5) Remove the hood from its packaging and place the back of the hood on the floor or countertop in front of the wall where it will hang.
- 6) Remove the blower shield(s) (A) by loosening the two brass screws on the bottom of the shield(s). Gently close the back draft damper(s) from the top side of the hood. To remove the blower housing(s), unsnap the suitcase latches (B) (one on each side of the housing). The housing(s) should be pulled forward and gently "tipped" to clear the blower wheel(s) and then out of the hood.



- 7) Remove the three screws retaining the blower motor(s). Unplug and remove the motor(s), taking care not to damage the blower wheel(s). It is not necessary to remove the blower wheel from the motor.



**Warning: Make sure power is off and locked at the service disconnecting means on the service panel during installation.**

# Vent Hood®

## Installation Details Continued

- 7) Install an appropriate 1/2" UL listed electrical wire clamp through each motor box electrical opening on top of the liner. Install electrical wiring from the service panel to the liner location for each motor box. Consult the connection diagrams (on previous page) for further details on electrical placement.

Model	Volts	Amps*	Hz	RPM	CFM SP@0.0"	Equivalent CFM*	CFM SP@0.1"	CFM SP@0.2"	CFM SP@0.3"	Minimum Round Duct Size	Sones#
B100 Single	115	1.5	60	1550	300	450	273	245	225	6" (28 in. <sup>2</sup> )	5.4
B200 Dual	115	2.9	60	1550	600	900	531	480	430	8" (50 in. <sup>2</sup> )	6.5
B200 Dual & B100 Single	115	4.4	60	1550	900	1350	804	725	655	VP562: 10" (79 in. <sup>2</sup> )	6.3
Two B200 Duals	115	5.8	60	1550	1200	1800	1062	960	860	VP563: 12" (113 in. <sup>2</sup> )	6.6

\* Add 0.5 amp for each halogen light.

\* Because the Magic Lung® blower uses centrifugal filtration rather than conventional baffle or mesh filters, the Magic Lung® blower can handle cooking equipment with higher cubic feet per minute (CFM) requirements and can deliver equivalent CFM much more efficiently than other than other filtration systems. When comparing the Magic Lung® with other blower units made by other manufacturers, use the "Equivalent CFM".

# Ratings in accordance with the Standard Test Code by the Energy Systems Laboratory of the Texas Engineering Experiment Station.

- 8) Extend wires to the liner and insert them into the electrical wire clamp on each motor box. Tighten the wire clamp(s). From inside the liner, using UL listed wire nuts, attach the "neutral" wire(s) to the white lead(s), the "hot" wire(s) to the black lead(s), and the ground wire(s) to the green lead(s) inside the motor box(es).

**Warning: Do not operate hood without proper ground connection.**

- 9) While aligning the duct and guiding the wires, lift the liner up into the enclosure flushing the bottom edges of the liner and the enclosure. Duct should connect together as the liner is raised into place. Note: The duct work must fit inside the exhaust collar.

- 10) Install a wood screw with a countersunk washer and a flat washer into each back and side mounting hole along the bottom edge of the liner. Only install wood screws into the front mounting holes along the bottom edge of the liner. Note: The hardware used in this step can be found in the liner trim kit that was previously removed from the packaging in Step 4.

- 11) Install the trim piece for the back side of the liner (provided in the liner trim kit) by hooking one side under the bottom edges of the back countersunk washers. Snap the trim piece over the top of the countersunk washers by applying pressure upward and toward the liner wall. Repeat this process for the side trim pieces (provided in the liner trim kit). Note: It may be necessary to lightly tap the trim piece with a rubber mallet.



- 12) Plug the motor(s) into the liner and reinstall the blower motor retaining screws that were previously removed in Step 6.
- 13) Replace the blower housing(s) and the blower shield(s). Make sure that the damper(s) open and close smoothly.
- 14) Refer to the Owner Maintenance Guide Operating Instructions for proper hood operation. Test all blower and light functions to ensure they are operating properly.

# VENTING



# ACCESSORIES

<p><b>WALL LOUVER</b></p> <p><b>MODEL</b>                      <b>DIM</b></p> <p>VP526                      6" Round VP527                      7" Round VP528                      8" Round</p>	<p><b>WALL LOUVER</b></p> <p><b>MODEL</b>                      <b>DIM</b></p> <p>VP554                      10" Round</p>	<p><b>WALL LOUVER</b></p> <p><b>MODEL</b>                      <b>DIM</b></p> <p>VP555                      12" Round</p>	<p><b>RECTANGULAR WALL LOUVER</b></p> <p><b>MODEL</b>                      <b>DIM</b></p> <p>VP538                      6" x 8 1/2" VP560                      3 1/4" x 10"</p>
<p><b>LOW PROFILE ROOF JACK (MAXIMUM 4/12 PITCH)</b></p> <p><b>MODEL</b>                      <b>DIM</b></p> <p>VP539                      6" Round VP540                      7" Round VP541                      8" Round</p>	<p><b>LOW PROFILE ROOF JACK (MAXIMUM 4/12 PITCH)</b></p> <p><b>MODEL</b>                      <b>DIM</b></p> <p>VP552                      10" Round VP553                      12" Round</p>	<p><b>ADJUSTABLE ELBOW</b></p> <p>VP513 - 8 1/2" VP514 - 9 3/4" VP515 - 10 1/2"</p> <p><b>MODEL</b>                      <b>DIM</b></p> <p>VP513                      6" Round VP514                      7" Round VP515                      8" Round</p>	<p><b>BACK/SIDE VENT ELBOW</b></p> <p><b>MODEL</b>                      <b>DIM</b></p> <p>VP561                      8" to 6" x 8 1/2"</p>
<p><b>3 1/4" x 10" BACK VENT ELBOW</b></p> <p><b>MODEL</b>                      <b>DIM</b></p> <p>VP559                      3 1/4" x 10"</p>	<p><b>MULTI-BLOWER TRANSITION</b></p> <p>VP562 - 17 1/2" VP563 - 16 1/2" VP562 - 23 1/4" VP563 - 30 1/2"</p> <p><b>MODEL</b>                      <b>DIM</b></p> <p>VP562                      6" &amp; 8" to 10" VP563                      8" &amp; 8" to 12"</p>	<p><b>"Y" TRANSITION</b></p> <p><b>MODEL</b>                      <b>DIM</b></p> <p>VP517                      8" &amp; 8" to 12" VP518                      6" &amp; 8" to 12" VP551                      6" &amp; 8" to 10"</p>	<p><b>3 1/4" x 10" TO 7" TRANSITION</b></p> <p><b>MODEL</b>                      <b>DIM</b></p> <p>VP521                      3 1/4" x 10" to 7"</p>
<p><b>OFFSET KIT - ROUND</b></p> <p><b>MODEL</b>                      <b>DIM</b></p> <p>VP529                      6" Rnd to 7" Rnd</p>	<p><b>OFFSET KIT - RECTANGULAR</b></p> <p><b>MODEL</b>                      <b>DIM</b></p> <p>VP550                      6" Rnd to 3 1/4" x 10"</p>	<p><b>STANDARD ISLAND TRANSITION</b></p> <p><b>MODEL</b>                      <b>DIM</b></p> <p>VP565                      5" x 16" to 8"</p>	<p><b>CLUSTER BLOWER TRANSITION</b></p> <p><b>MODEL</b>                      <b>DIM</b></p> <p>VP564                      8" &amp; 8" to 12"</p>
<p><b>OFFSET L &amp; R TRANSITION FOR ISLAND BLOWERS</b></p> <p><b>MODEL</b>                      <b>DIM</b></p> <p>VP542                      Top Left VP543                      Top Right</p>	<p><b>SIDE VENT TRANSITION L &amp; R FOR ISLAND BLOWERS</b></p> <p><b>MODEL</b>                      <b>DIM</b></p> <p>VP544                      Left Side VP545                      Right Side</p>	<p><b>6" &amp; 8" COLLAR</b></p> <p><b>MODEL</b>                      <b>DIM</b></p> <p>VP533                      6" Round VP535                      8" Round</p>	<p><b>6" x 8 1/2" COLLAR</b></p> <p><b>MODEL</b>                      <b>DIM</b></p> <p>VP537                      6" x 8 1/2"</p>
<p><b>ROUND DUCT PIPE</b></p> <p><b>MODEL</b>                      <b>DIM</b></p> <p>VP500                      6" Round VP501                      7" Round VP502                      8" Round</p>	<p><b>3 1/4" RECTANGULAR DUCT PIPE</b></p> <p><b>MODEL</b>                      <b>DIM</b></p> <p>VP504                      3 1/4" x 10" VP505                      3 1/4" x 12" VP506                      3 1/4" x 16"</p>	<p><b>6" RECTANGULAR DUCT PIPE</b></p> <p><b>MODEL</b>                      <b>DIM</b></p> <p>VP507                      6" x 8 1/2"</p>	