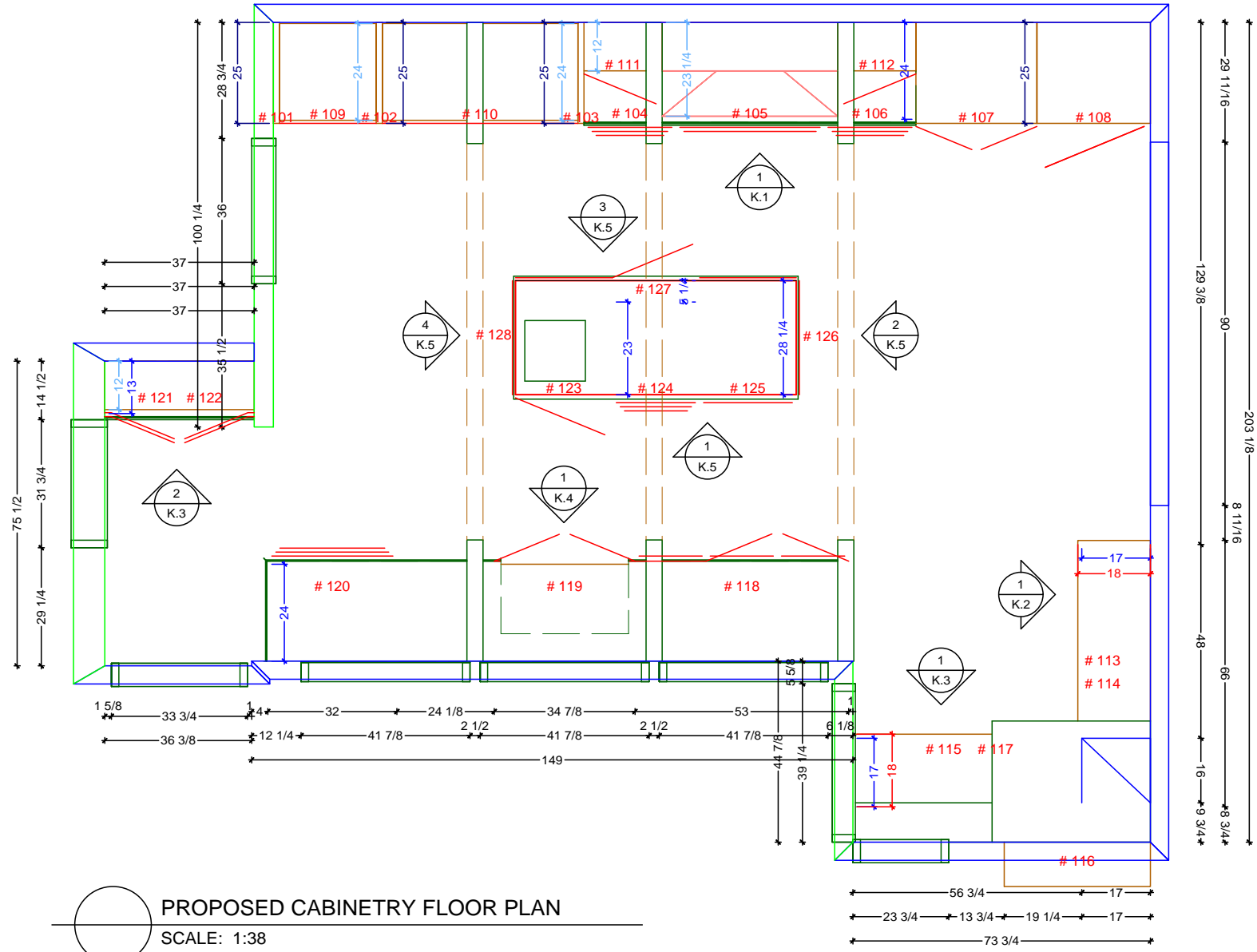


217 3/8  
 1 1/2 24 1 1/2 48 1/2 1 1/2 19 3/8 43 1/2 19 3/8 58 1/8  
 1 1/2 24 1 1/2 48 1/2 1 1/2 22 3/4 36 3/4 22 3/4 30 28 1/8

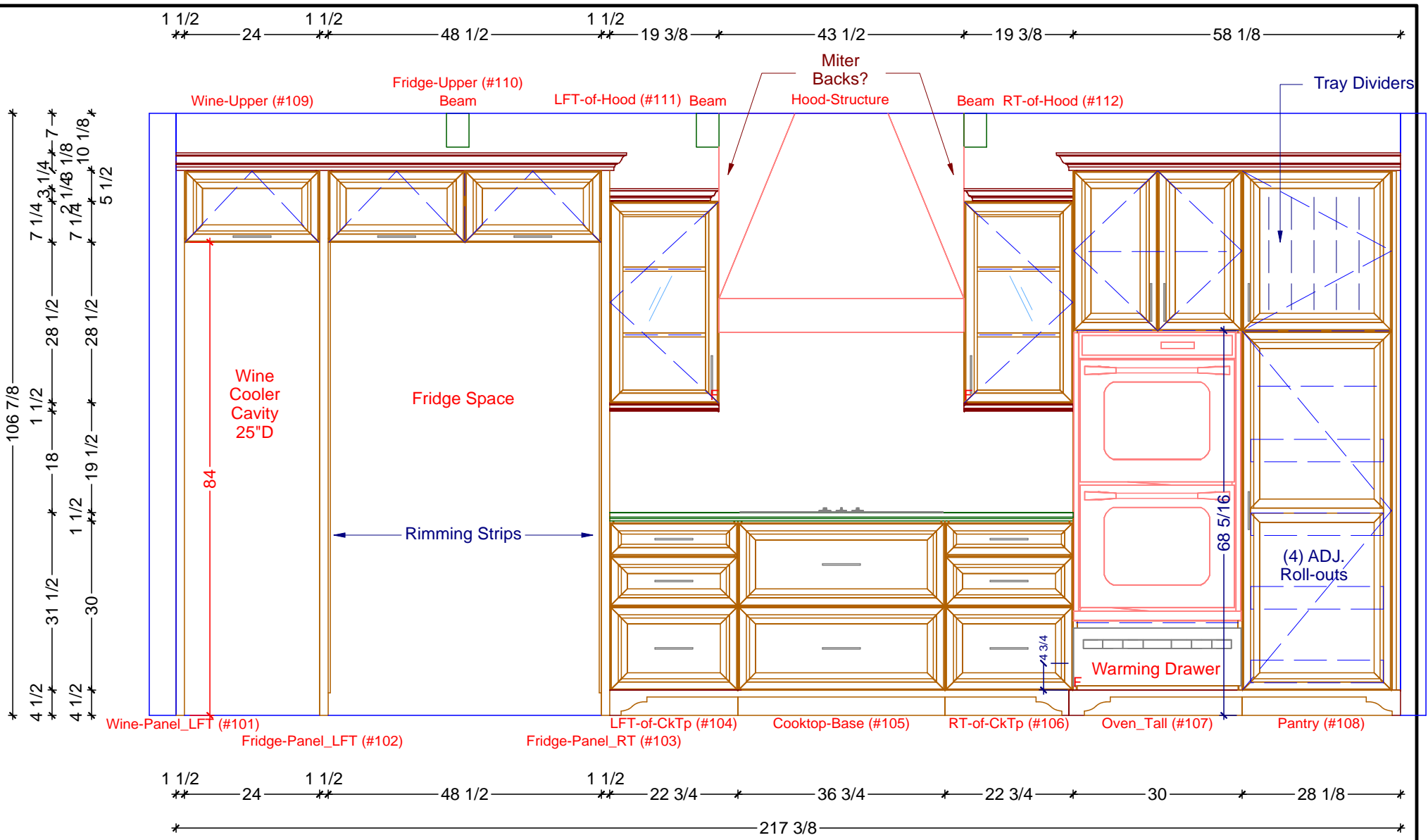


PROPOSED CABINERY FLOOR PLAN  
 SCALE: 1:38

**Classic Bath Designs, Inc.**  
 11544 Sheldon St., Sun Valley, CA 91352  
 818.767.1144 fax: 818.767.1278



Cust: DGC for 751LV	PO# KITCH-LAUN	Scale: As Noted	KITCHEN	K.0
Approved _____	Job: FL/FF-S_PreFIN/Alder or PG:perSample_IntEB:PreFIN	Size: A	Dr By: Brian 05/10/2017	



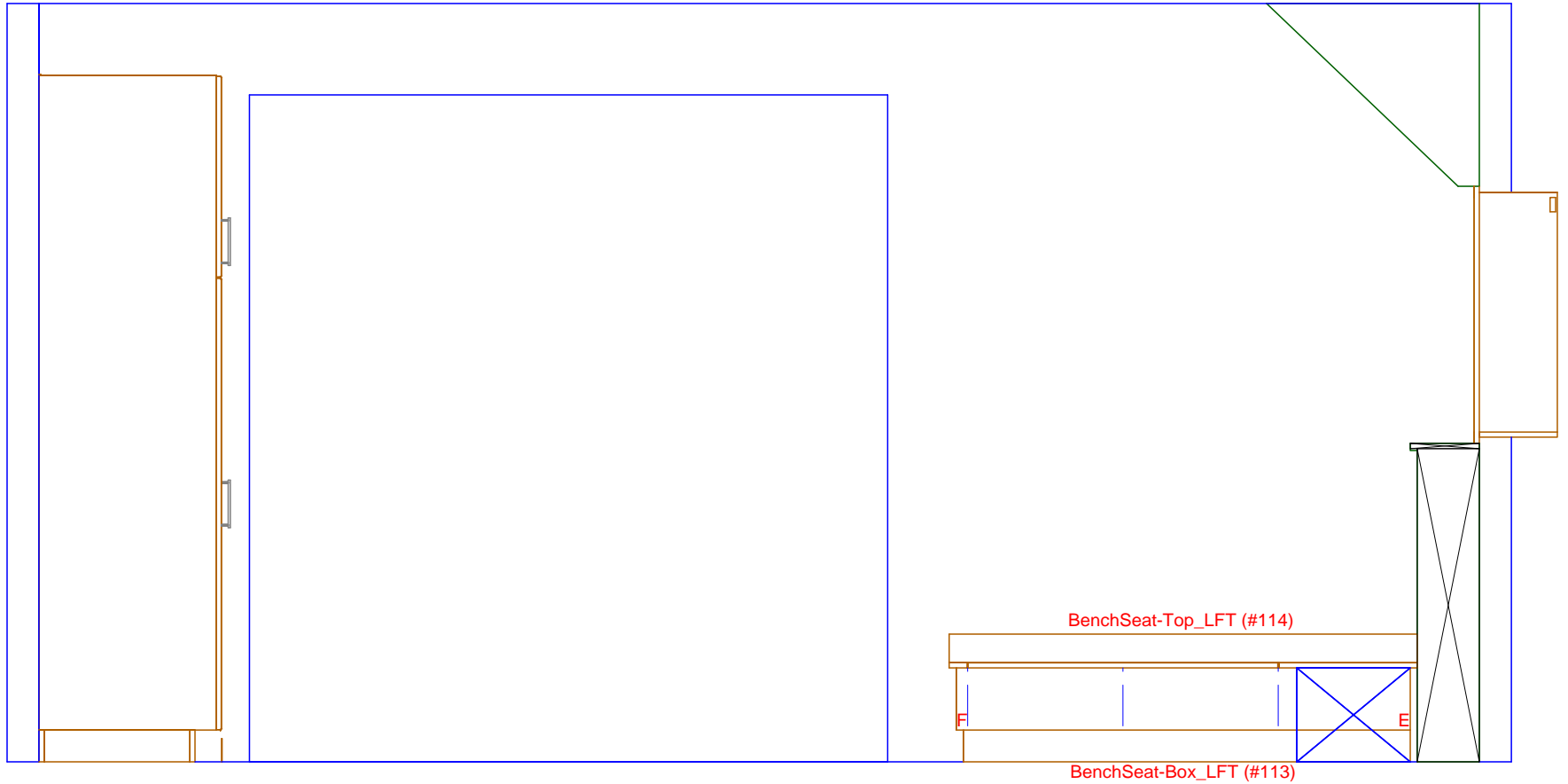
1 KITCHEN ELEVATION - FRIDGE/OVEN WALL  
 SCALE: 1/2" = 1' 0"

**Classic Bath Designs, Inc.**  
 11544 Sheldon St., Sun Valley, CA 91352  
 818.767.1144 fax: 818.767.1278

Cust: DGC for 751LV	PO# KITCH-LAUN	Scale: As Noted	KITCHEN	K.1
Approved _____	Job: FL/FF-S_PreFIN/Alder or PG:perSample_IntEB:PreFIN	Size: A	Dr By: Brian 05/10/2017	

\* 29 11/16 \* 90 \* 8 11/16 \* 66 \* 8 3/4 \*

\* 106 7/8 \*  
 \* 13 1/4 \*  
 4 1/2 \* 3/4 \*  
 \* 93 5/8 \*  
 \* 92 7/8 \*  
 \* 8 3/4 \*



\* 129 3/8 \* 48 \* 16 \* 9 3/4 \*  
 \* 203 1/8 \*

1 KITCHEN ELEVATION - ALCOVE-LEFT  
 SCALE: 1/2" = 1' 0"

**Classic Bath Designs, Inc.**  
 11544 Sheldon St., Sun Valley, CA 91352  
 818.767.1144 fax: 818.767.1278



Cust: DGC for 751LV

PO# KITCH-LAUN

Scale: As Noted

KITCHEN

Approved \_\_\_\_\_

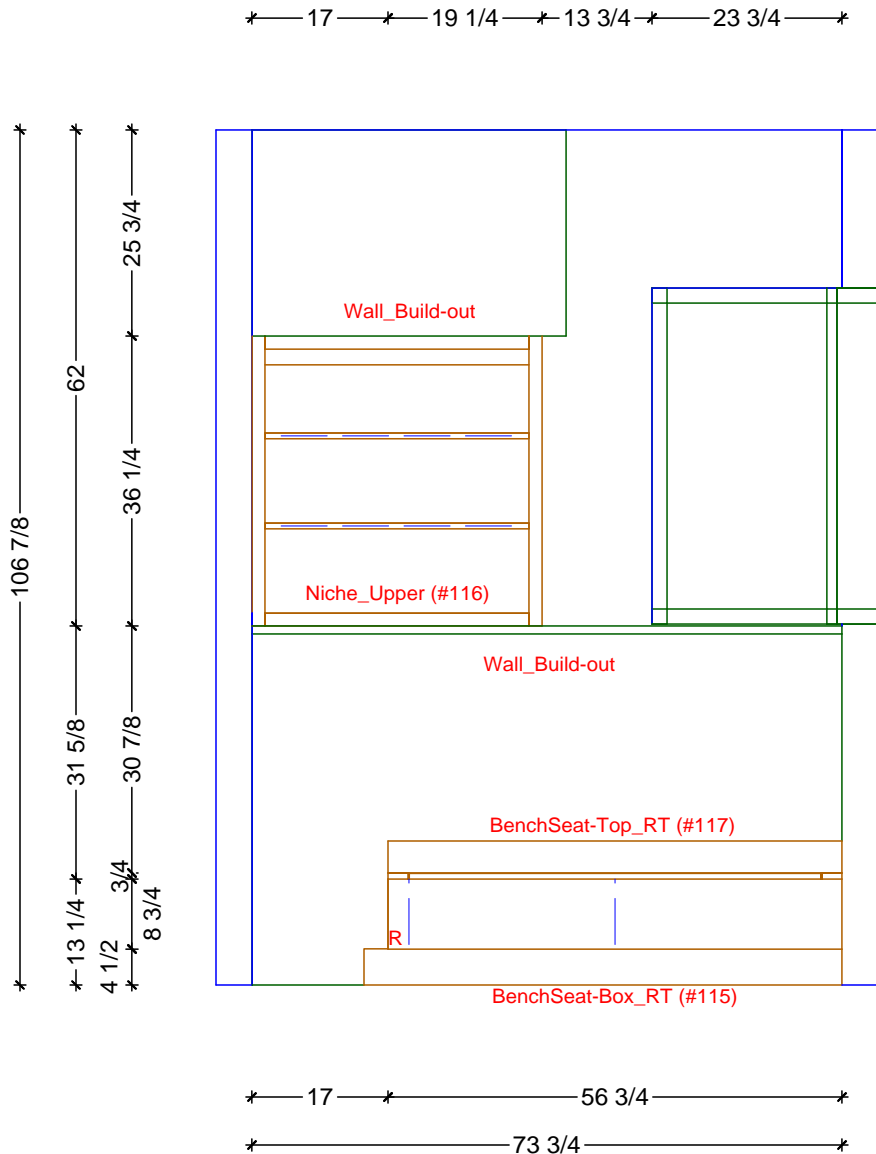
Job: FL/FF-S\_PreFIN/Alder or PG:perSample\_IntEB:PreFIN

Size: A

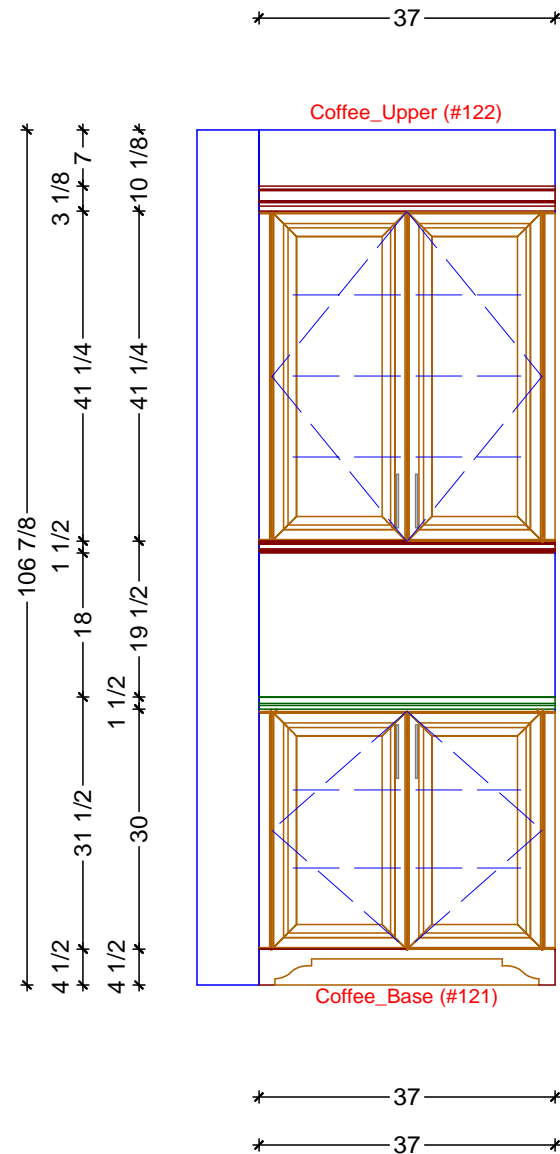
Dr By: Brian

05/10/2017

K.2



**1** KITCHEN ELEVATION - ALCOVE-RIGHT  
 SCALE: 1/2" = 1' 0"



**2** KITCHEN ELEVATION - COFFEE CENTER  
 SCALE: 1/2" = 1' 0"

**Classic Bath Designs, Inc.**  
 11544 Sheldon St., Sun Valley, CA 91352  
 818.767.1144 fax: 818.767.1278



Cust: DGC for 751LV	PO# KITCH-LAUN	Scale: As Noted	KITCHEN	<b>K.3</b>
Approved _____	Job: FL/FF-S_PreFIN/Alder or PG:perSample_IntEB:PreFIN	Size: A	Dr By: Brian 05/10/2017	

6 1/8      2 1/2      2 1/2      12 1/4

\*-----41 7/8-----\*      \*-----41 7/8-----\*      \*-----41 7/8-----\*

106 7/8

70 7/8

70 7/8

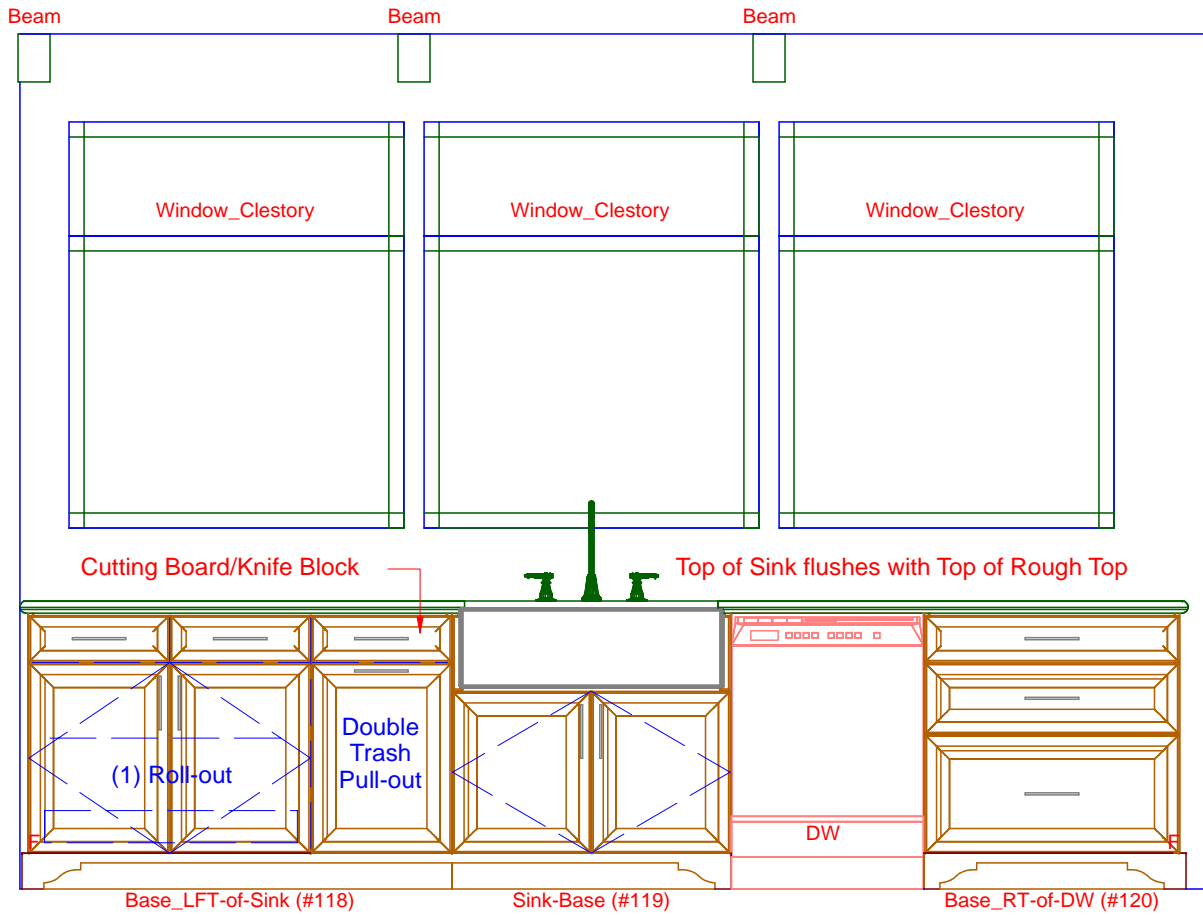
1 1/2

31 1/2

30

4 1/2

4 1/2



1

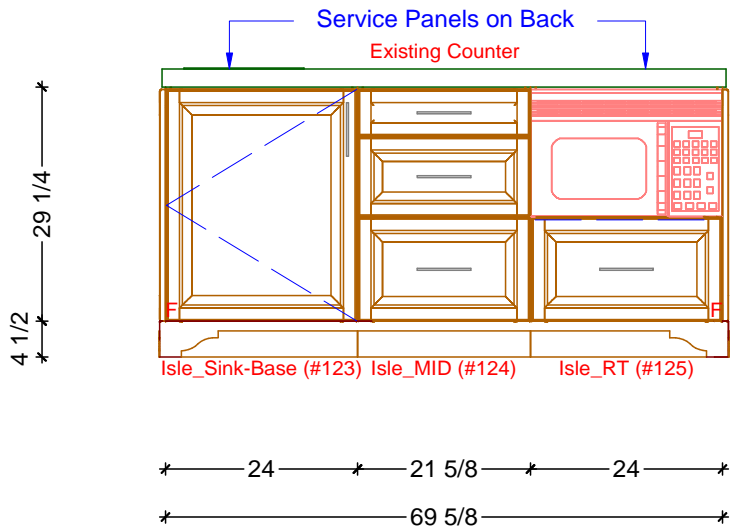
\*-----53-----\*      \*-----34 7/8-----\*      \*-----24 1/8-----\*      \*-----32-----\*      \*4\*

\*-----149-----\*

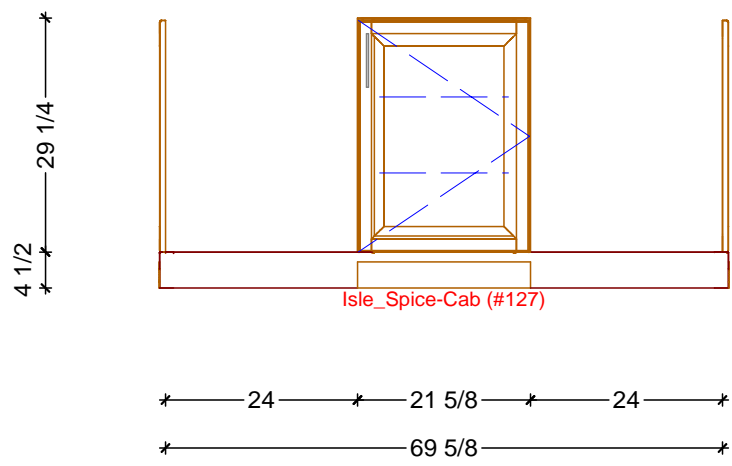
**1** KITCHEN ELEVATION - SINK WALL  
SCALE: 1/2" = 1' 0"

**Classic Bath Designs, Inc.**  
11544 Sheldon St., Sun Valley, CA 91352  
818.767.1144 fax: 818.767.1278

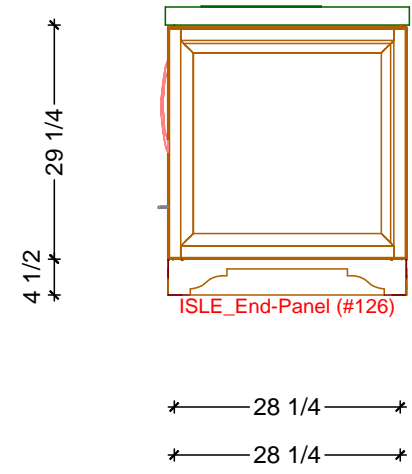
Cust: DGC for 751LV	PO# KITCH-LAUN	Scale: As Noted	KITCHEN	<b>K.4</b>
Approved _____	Job: FL/FF-S_PreFIN/Alder or PG:perSample_IntEB:PreFIN	Size: A	Dr By: Brian      05/10/2017	



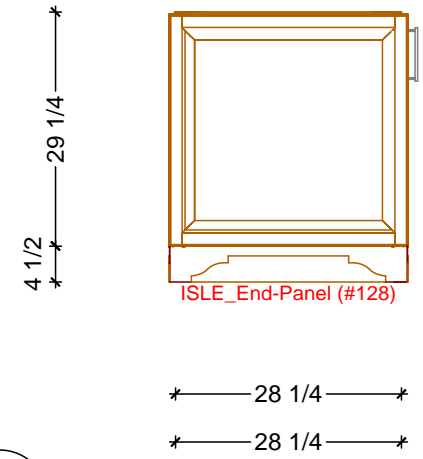
**1** KITCHEN ELEVATION - ISLE FRONT  
SCALE: 1/2" = 1' 0"



**3** KITCHEN ELEVATION - ISLE BACK  
SCALE: 1/2" = 1' 0"



**2** KITCHEN ELEVATION - ISLE END  
SCALE: 1/2" = 1' 0"



**4** KITCHEN ELEVATION - ISLE END  
SCALE: 1/2" = 1' 0"

**Classic Bath Designs, Inc.**  
11544 Sheldon St., Sun Valley, CA 91352  
818.767.1144 fax: 818.767.1278

Cust: DGC for 751LV	PO# KITCH-LAUN	Scale: As Noted	KITCHEN	<b>K.5</b>
Approved _____	Job: FL/FF-S_PreFIN/Alder or PG:perSample_IntEB:PreFIN	Size: A	Dr By: Brian 05/10/2017	



**Classic Bath Designs, Inc.**  
 11544 Sheldon St., Sun Valley, CA 91352  
 818.767.1144 fax: 818.767.1278



Cust: DGC for 751LV	PO# KITCH-LAUN	Scale: As Noted	KITCHEN	Rndr
Approved _____	Job: FL/FF-S_PreFIN/Alder or PG:perSample_IntEB:PreFIN	Size: A	Dr By: Brian	



**Classic Bath Designs, Inc.**  
 11544 Sheldon St., Sun Valley, CA 91352  
 818.767.1144 fax: 818.767.1278



Cust: DGC for 751LV	PO# KITCH-LAUN	Scale: As Noted	KITCHEN	Rndr
Approved _____	Job: FL/FF-S_PreFIN/Alder or PG:perSample_IntEB:PreFIN	Size: A	Dr By: Brian	





**Classic Bath Designs, Inc.**  
 11544 Sheldon St., Sun Valley, CA 91352  
 818.767.1144 fax: 818.767.1278



Cust: DGC for 751LV	PO# KITCH-LAUN	Scale: As Noted	KITCHEN
Approved _____	Job: FL/FF-S_PreFIN/Alder or PG:perSample_IntEB:PreFIN	Size: A	Dr By: Brian 05/10/2017

Rndr



**Classic Bath Designs, Inc.**  
 11544 Sheldon St., Sun Valley, CA 91352  
 818.767.1144 fax: 818.767.1278



Cust: DGC for 751LV	PO# KITCH-LAUN	Scale: As Noted	KITCHEN	<b>Rndr</b>
Approved _____	Job: FL/FF-S_PreFIN/Alder or PG:perSample_IntEB:PreFIN	<b>Size: A</b>	Dr By: Brian	