

OVERALL DIMENSIONS



SPECIFICATIONS

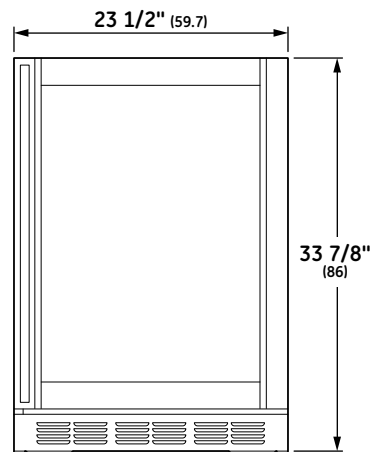
|                         |  |
|-------------------------|--|
| Overall Width           | 23 1/2" (59.7 cm)  |
| Overall Height          | 33 7/8" (86 cm)  |
| Overall Depth           | 23 3/8" (59.4 cm)  |
| Door Clearance          | 9 3/8" (23.8 cm) @ 110°<br>2" (5.1 cm) @ 90°<br>23 1/4" (60.6) door length |
| Overall Capacity        | 5.5 cu. ft.  |
| Minimum Cabinet Width   | 23 3/4" (60.3 cm)  |
| Minimum Cabinet Depth   | 24" (60.9 cm)  |
| Cutout Width            | 23 3/4" (60.3 cm)  |
| Cutout Height           | 34 1/2" (87.7 cm) Min<br>35" (89 cm) Max                                   |
| Electrical Requirements | 1.2 A  |
| Voltz/Hertz/Amps        | 120 V, 60 Hz,<br>15 or 20 amp circuit                                      |
| Shipping Weight         | 146 lb (66 kg)   |

ATTENTION ELECTRICIAN:

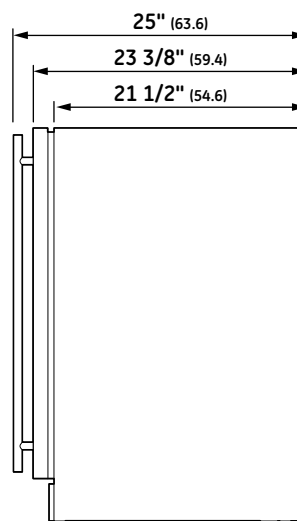
A 115 volt 60Hz., 15 or 20 amp power supply is required. An individual properly grounded branch circuit or circuit breaker is recommended. Install a properly grounded 3-prong electrical receptacle recessed into the back wall.

Dimensions in parentheses are in centimeters unless otherwise noted.

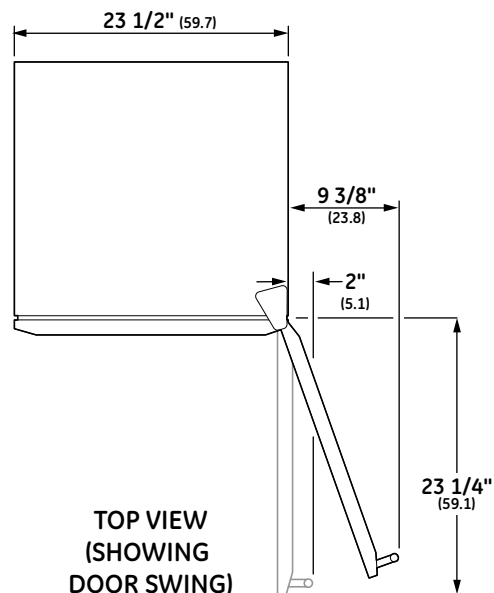
Actual product dimension may vary due to manufacturing tolerances.



FRONT VIEW

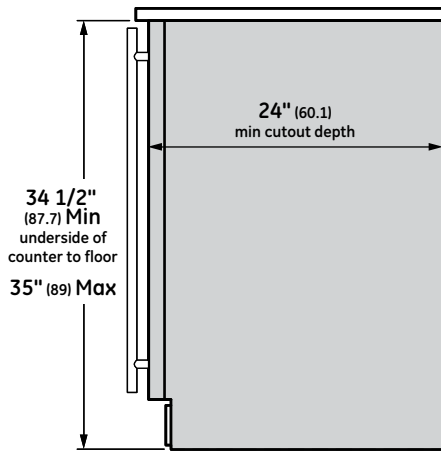


SIDE VIEW

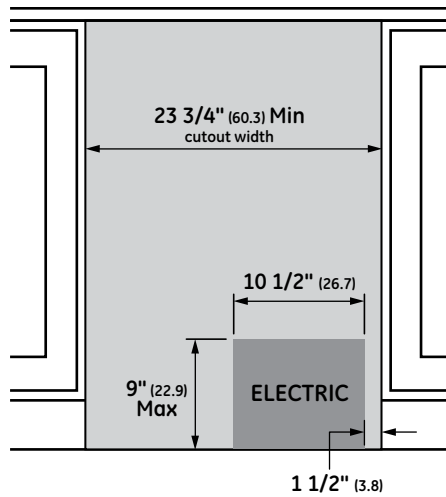


TOP VIEW (SHOWING DOOR SWING)

INSTALLATION



FLUSH CUTOUT INSTALLATION SIDE VIEW



INSTALLATION CUTOUT FRONT VIEW

NOTES

- The cutout depth must be 24"
- The cutout dimensions shown allow for a full door swing and access to the pull-out racks when installed as a built-in.
- The wine reserve can be free-standing.
- Note:** If installing between frameless cabinets, a 1/2" wide filler strip or side panel may be required. The filler strip will act as a spacer between the door case and adjacent cabinet and will prevent interference with cabinet door swing. The width of the opening must include filler panels.
- Wine reserve is vented at the front toekick to allow built-in undercounter installation.

## FEATURES AND BENEFITS

**Adjustable Temperature Control** - Maintains a consistent temperature

**Adjustable Temperature Control** - Maintains a consistent temperature

**Red or white wine temperature setting** - Maintain the ideal temperature for aging or serving wine

**LED Temperature Display** - Allows you to monitor the temperature at a glance

**Full-extension sliding wine racks** - Positions bottles either horizontally or vertically to maximize space

**Unfinished heart-of-cherry wood wine shelf fronts** - Can be finished to complement surrounding cabinetry

**UV resistant, tempered glass door** - Affords a full view of wine reserve contents

**Flush Installation** - Allows near-seamless integration with surrounding cabinetry

**Reversible Door Swing** - Easily reversed to left or right door swing as needed

**Stainless steel tubular handle** - Designed to coordinate with other Monogram appliances

**Soft Interior Lighting** - Automatically illuminates when the door is open, but can be activated by an internal on/off switch



ZDWR240HBS - wine reserve with digital controls

