

## Location Codes

**C** - Cutout 1 3/8" x 1 3/4" (34 mm x 35 mm) for water, drain and electric pass-through.

Adjust according to water and drain location.

**D** - 5 foot (1.5 meter) flexible drain hose connects lower center rear.

**E** - 5 foot (1.5 meter)- 120 Volt - 15 Amp 3-wire molded plug power supply connects front terminal or can be hardwired.

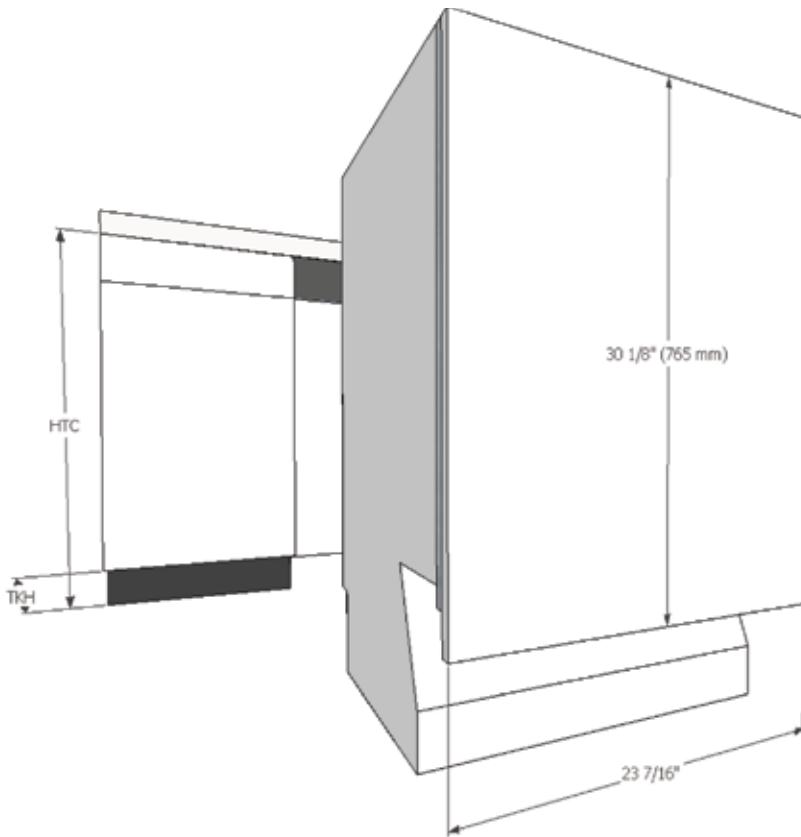
**W** - 5 foot flexible water intake hose with a 3/8" compression fitting nut connects lower center rear.

## Notes

All installations must be done in accordance with local codes.

Drawing is not to scale

Specification Sheets OJS 11012011



## Panel Prefinished

**Width:** 23 7/16" (598 mm)

**Thickness:** 3/4" (19 mm)

**Height:** 30 1/8" (765 mm)

## Calculating the toe kick height

$$30 \frac{1}{8}'' - \text{HTC} = \text{TKH}$$

**HTC** = Height to the underside of countertop

**TKH** = Toe kick height (Panel height is configured for a 4" toe kick)

**Note:** Control panel is along the top edge of the unit. It is not visible when the unit is closed. A handle **MUST** be installed on the front panel in order to open the unit.

## GFVI Installations

Miele offers pre-fabricated stainless steel panels for all fully integrated units. These panels are designed for various toe-kick heights and offer a choice of handle options.

Drawing is not to scale

Specification Sheets OJS 11012011

		Height to underside of countertop									
		33 3/4	34	34 1/4	34 1/2	34 3/4	35	35 1/4	35 1/2	35 3/4	36
Toe Kick Height	2 1/2										
	3										
	3 1/2										
	4										
	4 1/2										
	5										
	5 1/2										
	6										
	6 1/2										
	7										
	7 1/2										
	8										
	8 1/2										

		Acceptable combinations
		Typical American installation