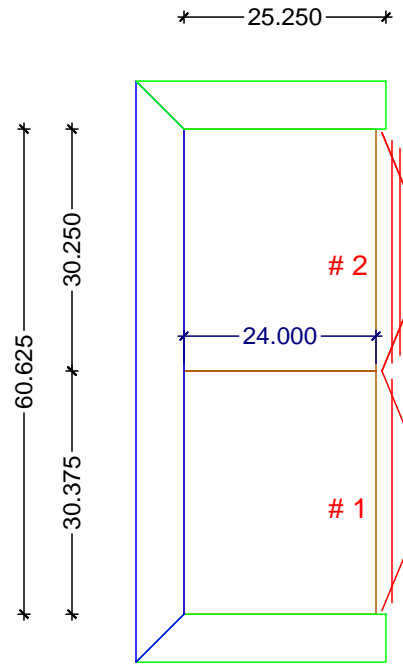
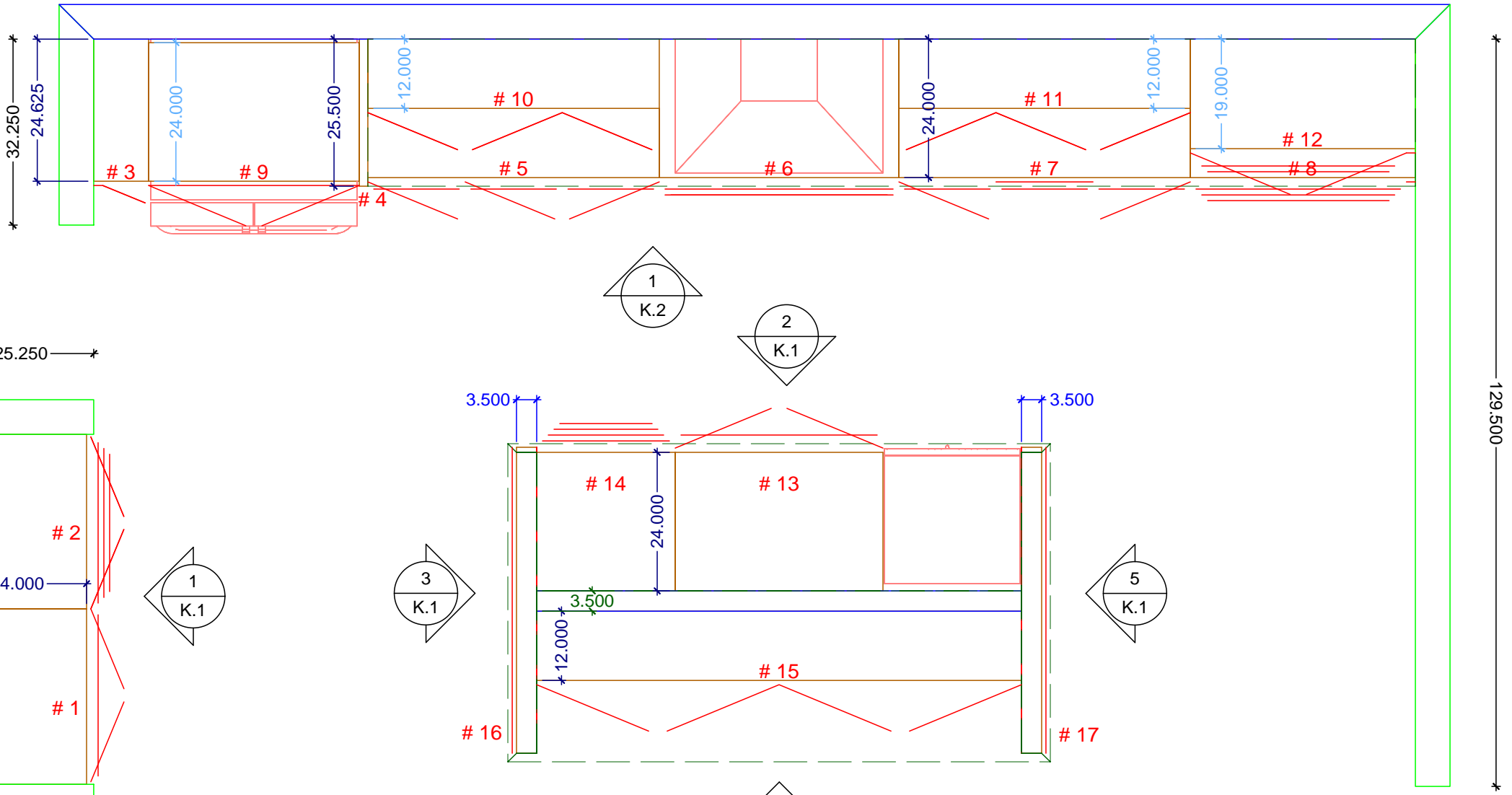


-----229.000-----
 9.500 36.500 1.500 50.500 41.500 50.500 39.000 *
 9.500 36.500 1.500 50.500 41.500 50.500 39.000 *



KITCHEN CABINETRY FLOOR PLAN
 SCALE: 1/2" = 1' 0"

Classic Bath Designs, Inc.
 11544 Sheldon St., Sun Valley, CA 91352
 818.767.1144 fax: 818.767.1278

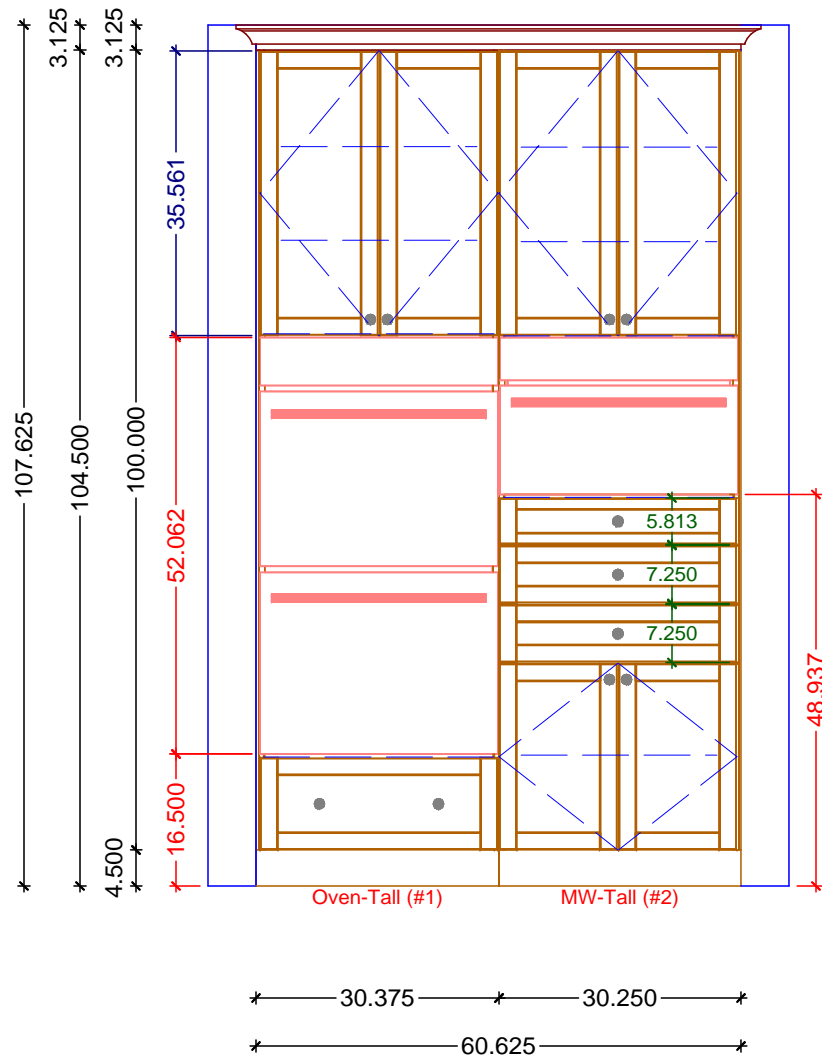


Cust: LPD for Braewood
 Approved _____

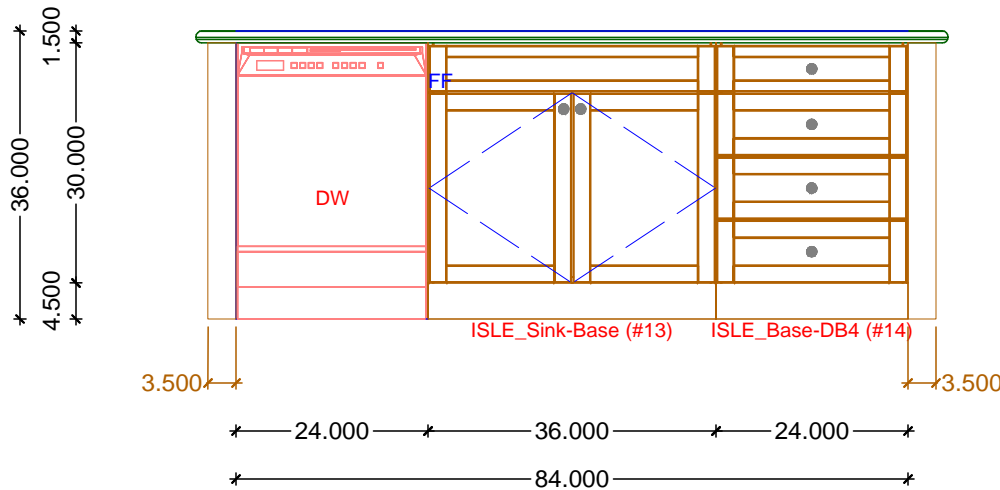
PO# KITCHEN
 Job: FL-S_PreFIN/PG-Maple-MDF:two-colors_IntEB:PreFIN

Scale: As Noted
 Size: L
 Dr By: Brian
 07/24/2019

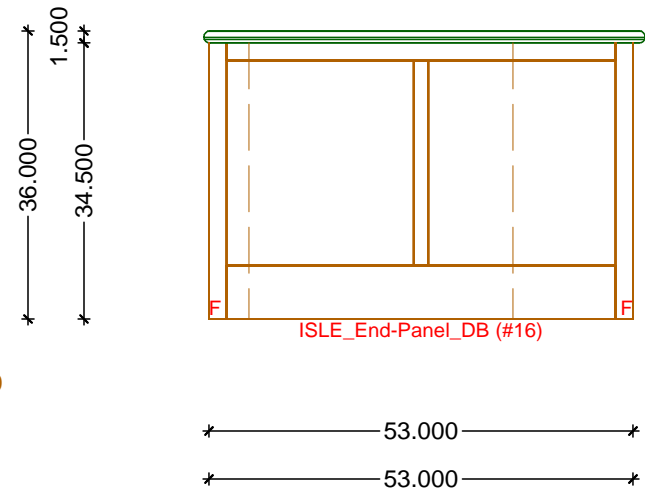
K.0



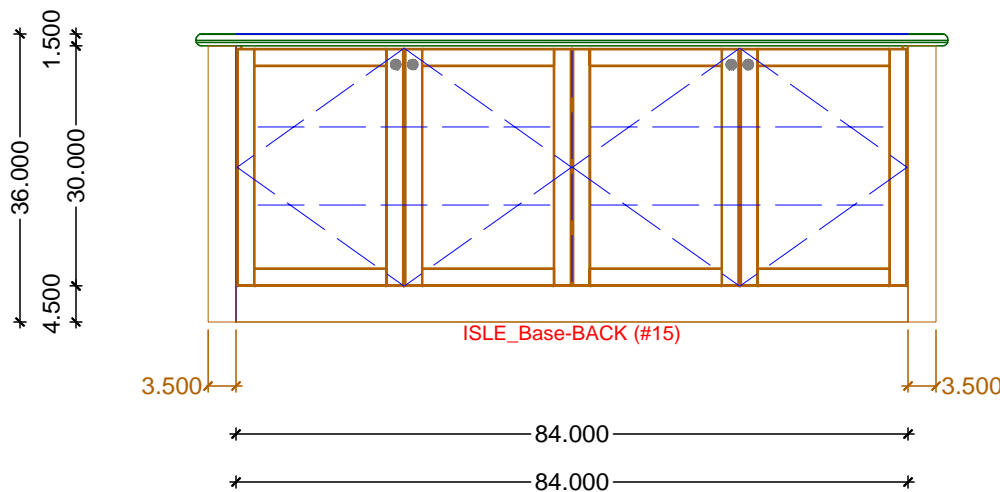
1 KITCHEN ELEVATION - OVEN WALL
SCALE: 1/2" = 1' 0"



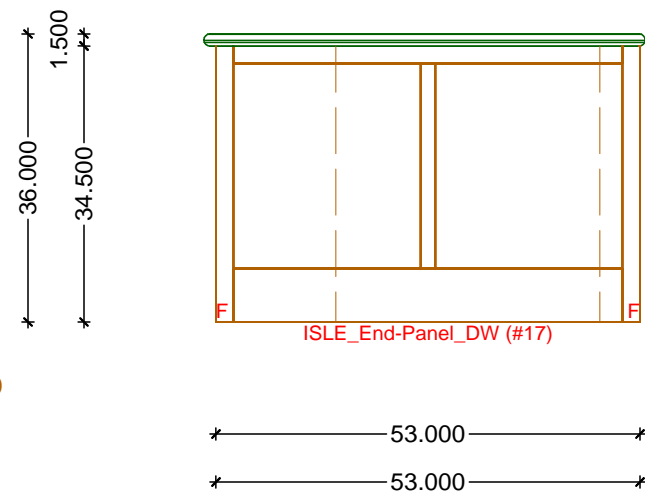
2 KITCHEN ELEVATION - ISLE FRONT
SCALE: 1/2" = 1' 0"



3 KITCHEN ELEVATION - ISLE END-DB
SCALE: 1/2" = 1' 0"

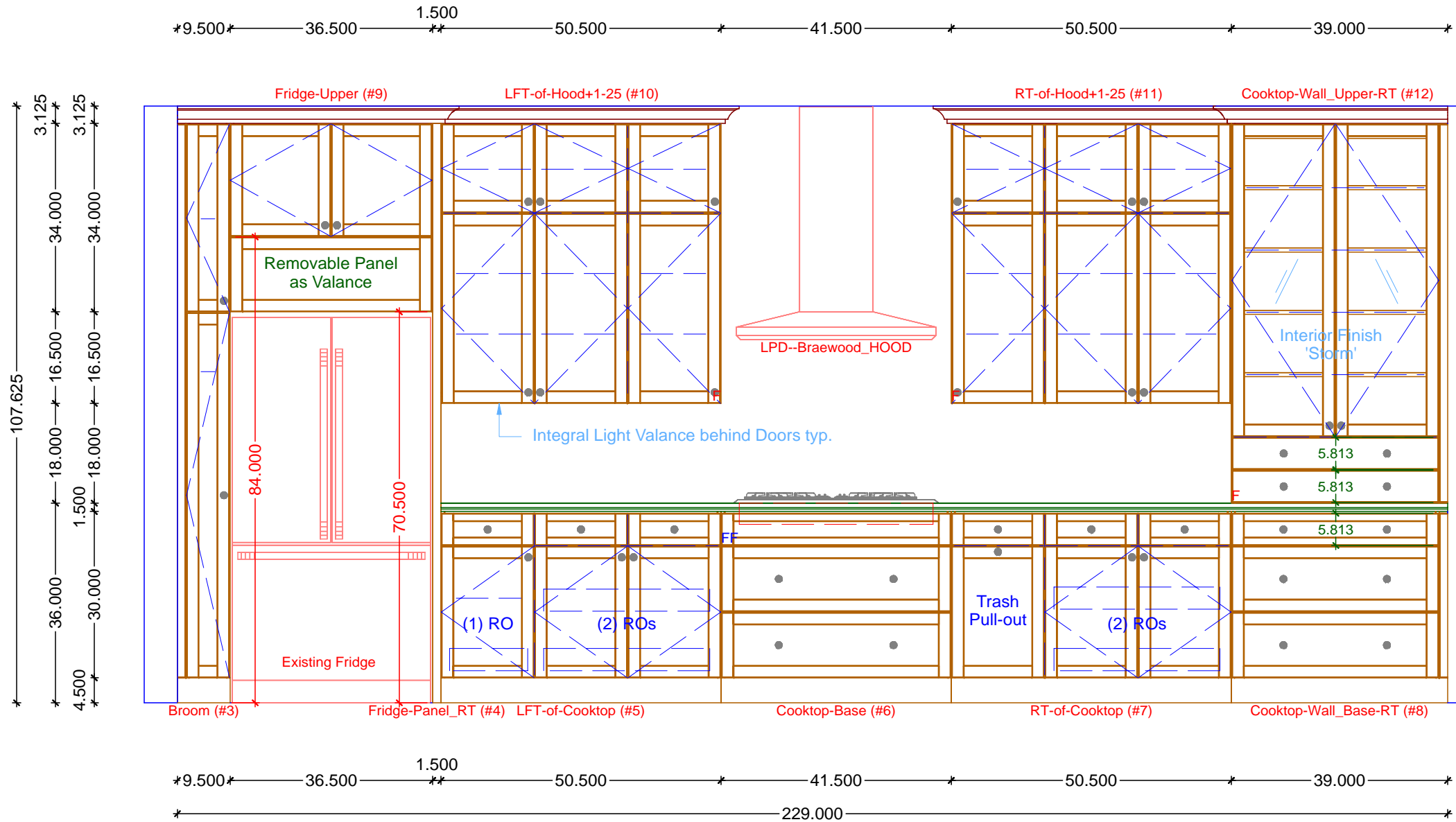


4 KITCHEN ELEVATION - ISLE BACK
SCALE: 1/2" = 1' 0"



5 KITCHEN ELEVATION - ISLE END-DW
SCALE: 1/2" = 1' 0"







Classic Bath Designs, Inc.
 11544 Sheldon St., Sun Valley, CA 91352
 818.767.1144 fax: 818.767.1278



Cust: LPD for Braewood

Approved _____

PO# KITCHEN

Job: FL-S_PreFIN/PG-Maple-MDF:two-colors_IntEB:PreFIN

Scale: As Noted

Size: L

Dr By: Brian

07/24/2019

Rndr



Classic Bath Designs, Inc.
 11544 Sheldon St., Sun Valley, CA 91352
 818.767.1144 fax: 818.767.1278



Cust: LPD for Braewood

Approved _____

PO# KITCHEN

Job: FL-S_PreFIN/PG-Maple-MDF:two-colors_IntEB:PreFIN

Scale: As Noted

Size: L

Dr By: Brian

07/24/2019

Rndr



Classic Bath Designs, Inc.
 11544 Sheldon St., Sun Valley, CA 91352
 818.767.1144 fax: 818.767.1278



Cust: LPD for Braewood

PO# KITCHEN

Scale: As Noted

Approved _____

Job: FL-S_PreFIN/PG-Maple-MDF:two-colors_IntEB:PreFIN

Size: L

Dr By: Brian

07/24/2019

Rndr