

Dimension Express Booklet

Prepared On: 6/18/2013

Prepared By:

From: Tom Bogna
Company: Classic Custom Cabinets
Address: 11544 Sheldon street
Phone: 818-767-1144
Fax: 818-767-1278
Email: tom@cbdcabinets.com

Job Information:

Job Name: Blackwell-Fallen Oaks

Model No	Type	Manufacturer	Doc Type	Page
HB36QW	HOD	Thermador	Data Sheet	2

hood info recved via text 6/18PM

- Thank you for using our NEW PDF Booklet Feature!! We hope this feature will save you time when working on your project.
- Dimension Express is now offering FREE model listings for manufacturers. All information listed with Dimension Express MUST be approved by the manufacturer. Please check back regularly as we are adding manufacturers and industries.

To access over 14,000 appliance specification sheets, visit:

<http://www.dexpress.com>

www.dexpress.com **DIMENSION EXPRESS** Fax on Demand (775) 833-3600

This Data Sheet Includes Information On

Thermador

Product Model Number (s):

Wall Hoods:
HB36QB, HB36QS and HB36QW

Dimensions (Actual Size)

Width: 36"
Rear height: 10"
Top depth: 12"
Bottom depth: 22"

Additional Information

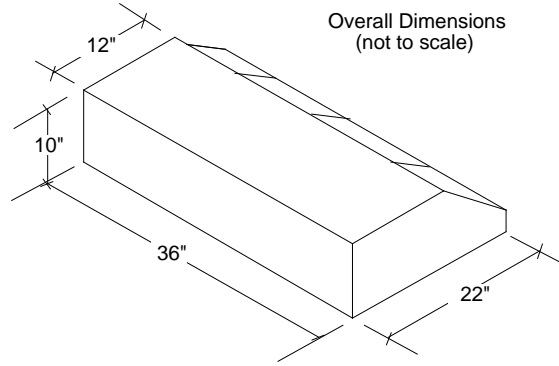
- HB36QB : Black.
- HB36QW : White
- HB36QS : Stainless
- Cold weather installations should have an additional backdraft damper installed to minimize backward cold air flow and a non-metallic thermal break to minimize conduction of outside temperatures as part of the ductwork. The damper should be on the cold air side of the thermal break. The break should be as close as possible to where the ducting enters the heated portion of the house.
- Recommended height from countertop to bottom of hood: Over range or cooktop - 30" to 36". Recommended for use only over conventional domestic gas or electric cooking appliances. NOT recommended over solid fuel fired barbeques.
- Before cutting into cabinets, it is necessary to know the correct ventilator to be used. These hoods are designed for use with any of the 4 ventilators listed below:

- VM410 DUCTING: Horizontal or vertical. Use 3 1/4" x 10" or 7" round with 1295-17 transition at hood. Roof jack 1255-6 for 3 1/4" x 10" or 7" round. Wall cap 1255-1 for 3 1/4" x 10" (refer to middle illustration for cutout dimensions). 3 1/4" x 10" backdraft Damper/Transition supplied with ventilator VM410.
- VR600 DUCTING: Vertical only. Use 8" round duct with H8TRNQ transition at hood. (refer to lower illustration for cutout dimensions)
- VTN600Q DUCTING: Vertical only. Use 8" round duct with H8TRNQ transition at hood. (refer to lower illustration for cutout dimensions)
- VR1000Q DUCTING: Vertical only. Use 10" round duct with H10TRNQ transition at hood. (refer to lower illustration for cutout dimensions)

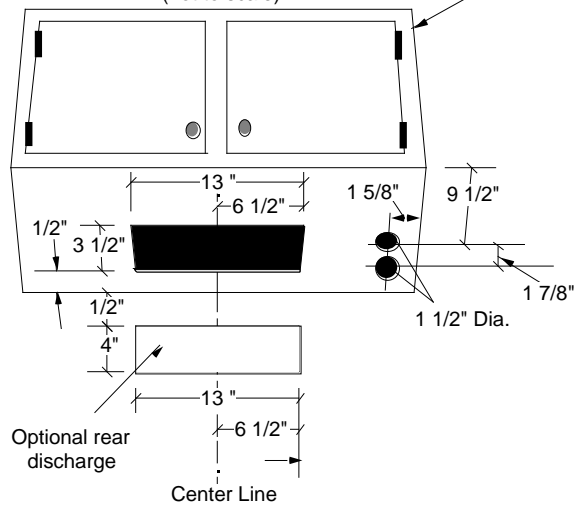
Subject to change without notice. This system is designed to be updated daily if necessary. Dimension Express is not responsible for use of superseded, voided, or outdated data sheets. Because of the difficulty or impracticability of determining actual damages, liability of Dimension Express shall not exceed \$50.00.

Copyright © Dimension Express, 2001.

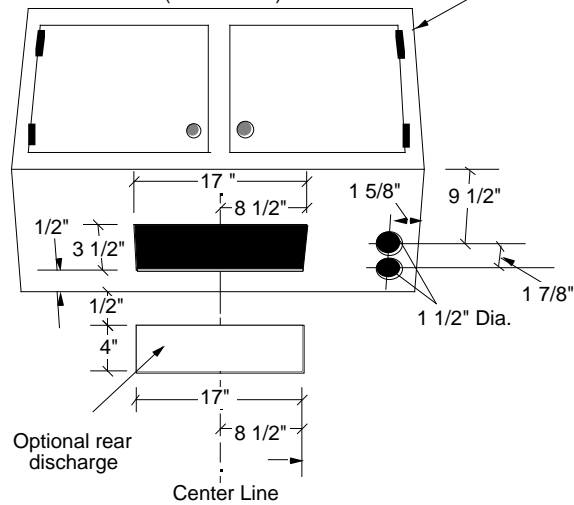
234



Duct cutout locations when using Thermador Ventilator VM410 ONLY (not to scale)



Duct cutout locations when using other Thermador Ventilators (not to scale)



• NEVER reuse Data Sheets. Data Sheets are subject to change without notice. Dimension Express is a FREE service bureau and is updated daily, it makes far more sense to spend the time necessary to request new Data Sheets for each project, as opposed to the problems, time, costs, and risks associated with reusing old Data Sheets.

- Call Dimension Express if you have any questions at (775) 833-3633 •
- Always refer to a current Code at a Glance or manufacturer directory •
- Data Sheet codes change on the first of odd numbered months at 12:01am •

BN89.5 • A234 • 11215 • 012303 • 123921 • 85316