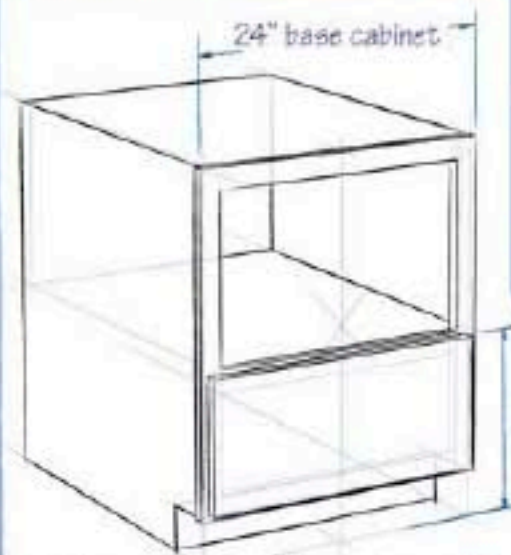


Installation TIPS: 24" Sharp Microwave Drawer® in 24" wide stock cabinet

For face frame style cabinets

* Please refer to the installation manual for more information regarding product safety and proper installation procedures and requirements.

PLANNING



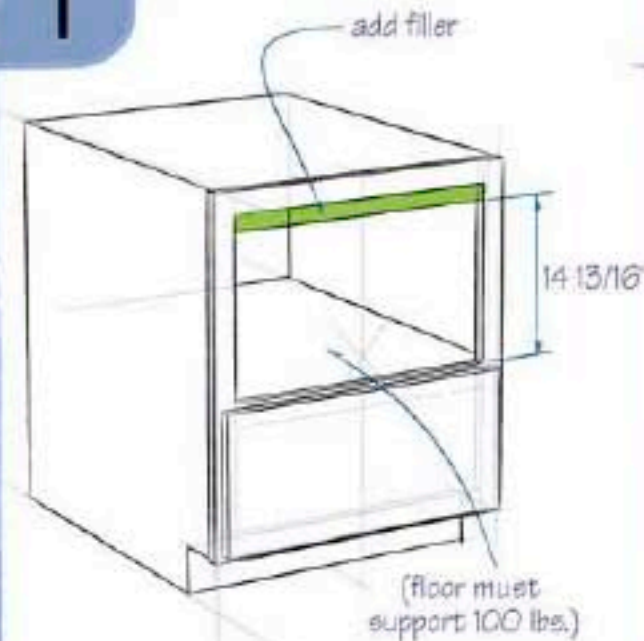
Example Shown:

- Base Microwave Cabinet 34 1/2" H with Deep Bottom Drawer.
- Design and availability vary by cabinet manufacturer.
- Installation requires a pre-finished filler.

*From floor to top of bottom drawer/doors: 18 5/16" max.

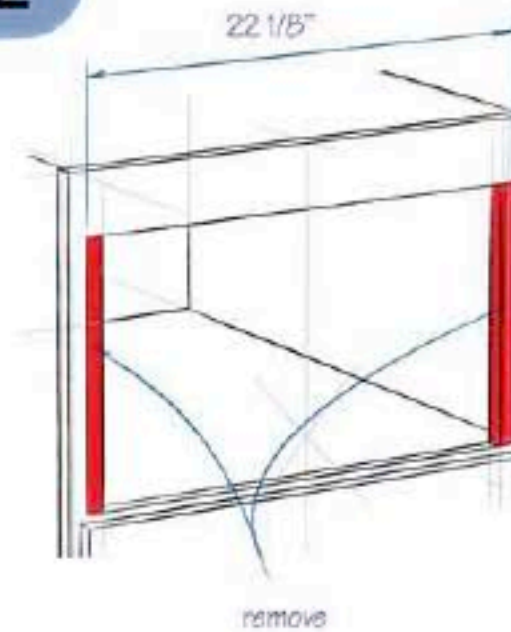
*Dimension allows for 1/4" gap between the Microwave Drawer and the countertop and 1/2" gap between the bottom of the Microwave Drawer and the top of the lower drawer/door.

1



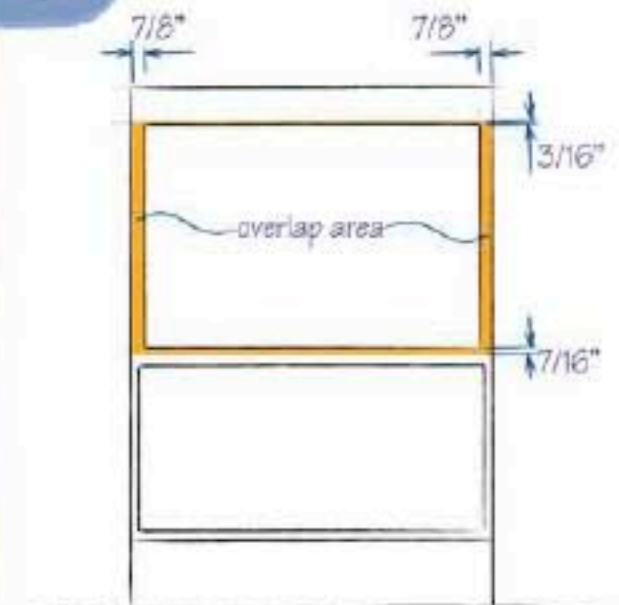
Add horizontal filler to the top of the opening. Height of opening should be 14 13/16".

2



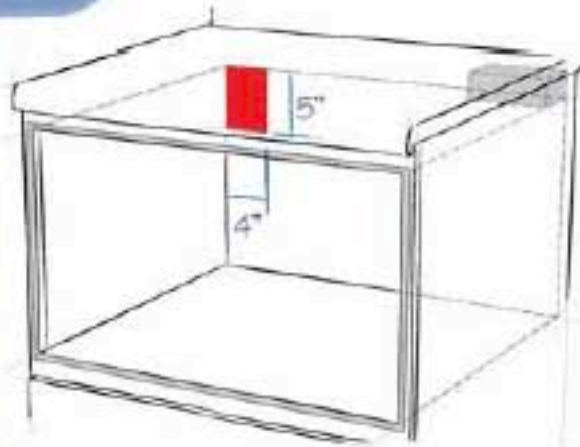
Enlarge opening width to clear the Microwave Drawer body.

3



Allow space around opening for product overlap.

4



Place electrical outlet in upper back left side in the cavity opening. Can also be installed using an electrical outlet in an adjacent cabinet. Always check electrical codes for requirements.

5



Proceed to the installation manual for instructions on installing the Microwave Drawer into the cabinet.

Completed installation



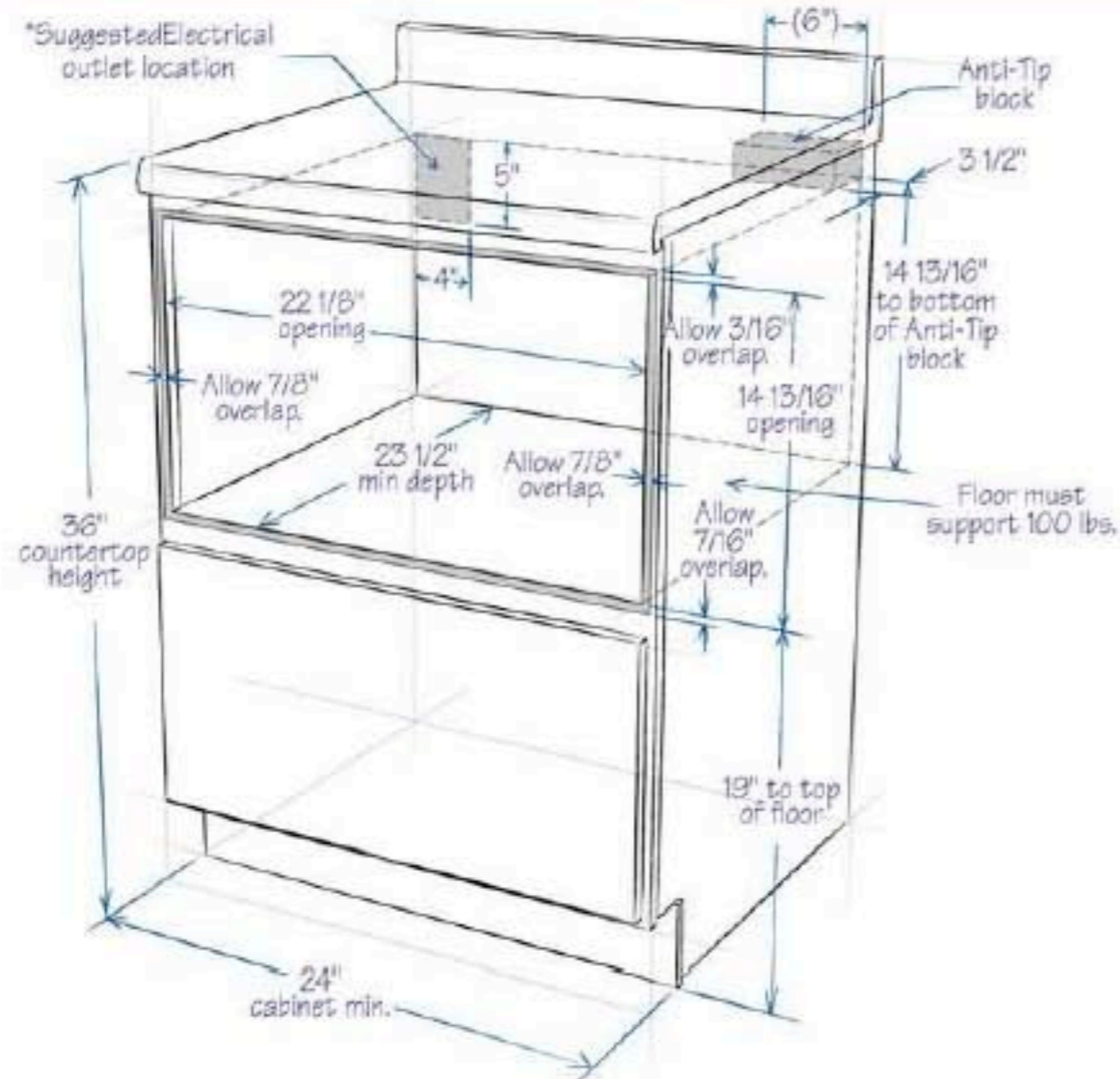
SHARP.

Installation TIPS: 24" Sharp Microwave Drawer® in 24" wide stock cabinet

For face frame style cabinets

* Please refer to the installation manual for more information regarding product safety and proper installation procedures and requirements.

Cabinet cutout specification

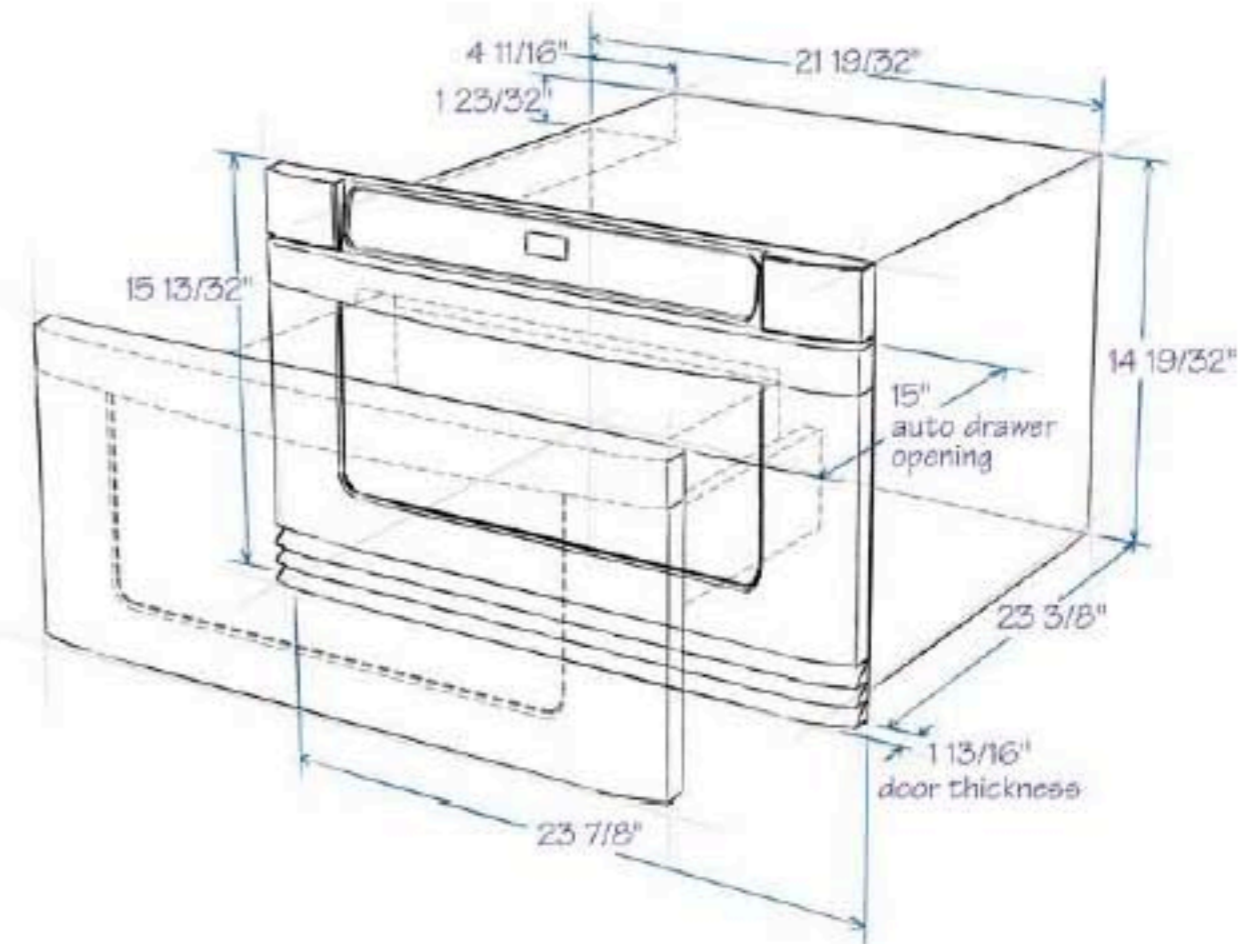


* Can also be installed using an electrical outlet in an adjacent cabinet within the area where the provided electrical cord can reach. Power cord access hole in cabinet should be a minimum 1 1/2" diameter hole and deburred of all sharp edges.

IMPORTANT Always allow sufficient power cord length to the electrical outlet to prevent tension.

Always check electrical codes for requirements.

Microwave Drawer dimensions



Design and specifications are subject to change without notice.

Sharp and Microwave Drawer are registered trademarks of Sharp Corporation. All other trademarks are the property of their respective owners.

06L124

SHARP®

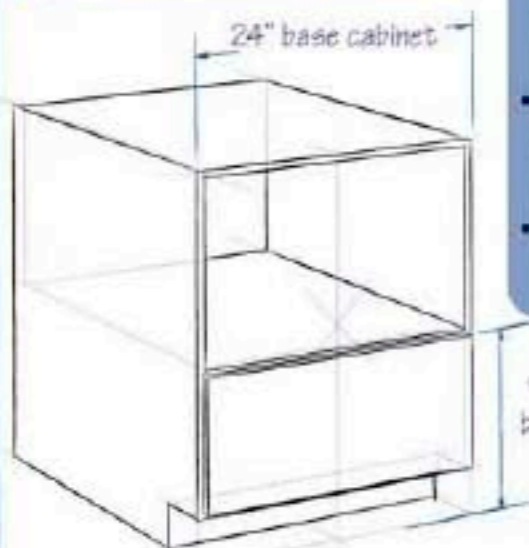
SHARP ELECTRONICS CORPORATION
 Sharp Plaza, Mahwah, NJ 07430-2135
 1-800-BE-SHARP • www.sharppusa.com/microwavedrawer

Installation TIPS: 24" Sharp Microwave Drawer® in 24" wide stock cabinet

For frameless style cabinets

* Please refer to the installation manual for more information regarding product safety and proper installation procedures and requirements.

PLANNING



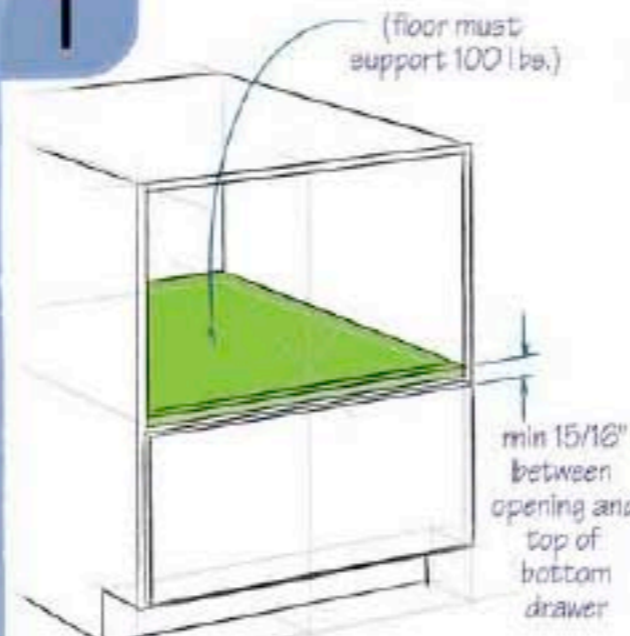
Example Shown:

- Base Microwave Cabinet 34 1/2" H with Deep Bottom Drawer.
- Design and availability vary by cabinet manufacturer.
- Installation requires a pre-finished filler.

*From floor to top of bottom drawer/doors: 18 5/16" max.

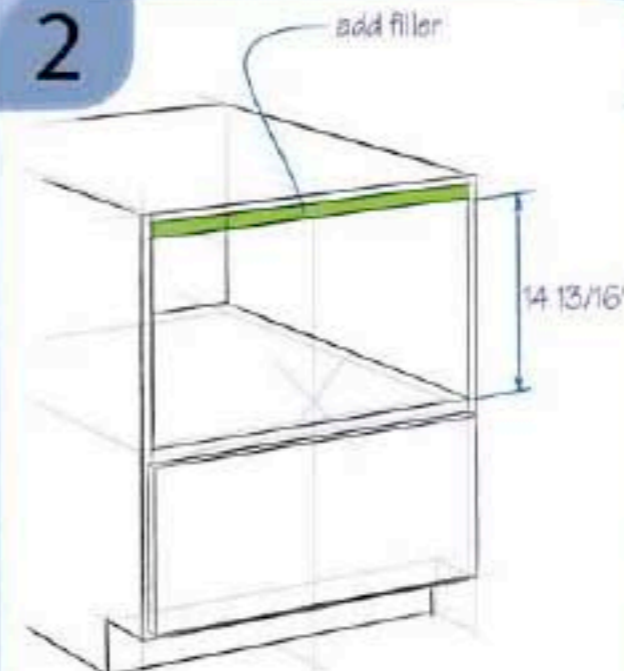
*Dimension allows for 1/4" gap between the Microwave Drawer and the countertop and 1/2" gap between the bottom of the Microwave Drawer and the top of the lower drawer/door.

1



Cabinet floor may need to be raised to allow for product overlap and space above drawer.

2



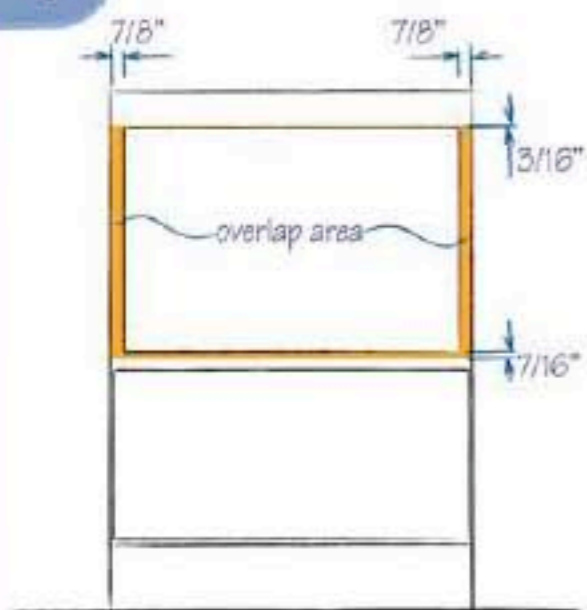
Add horizontal filler to the top of the opening. Height of opening should be 14 13/16".

3



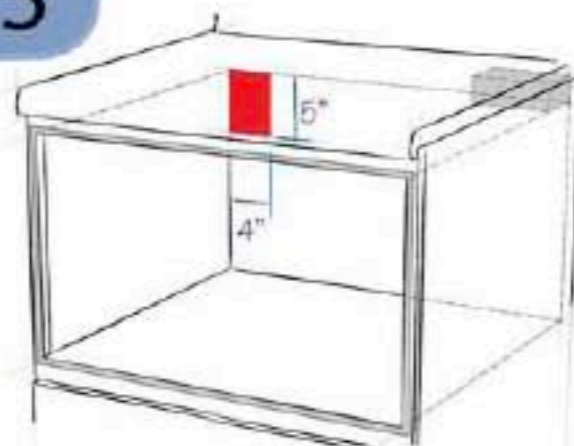
Opening width needed to clear the Microwave Drawer body is 22 1/8".

4



Allow space around opening for product overlap.

5



Place electrical outlet in upper-back left side of opening. Electrical outlet can also be placed in an adjacent cabinet. Always check electrical codes for requirements. Proceed to Installation Instructions to install Drawer into cabinet.

Completed installation



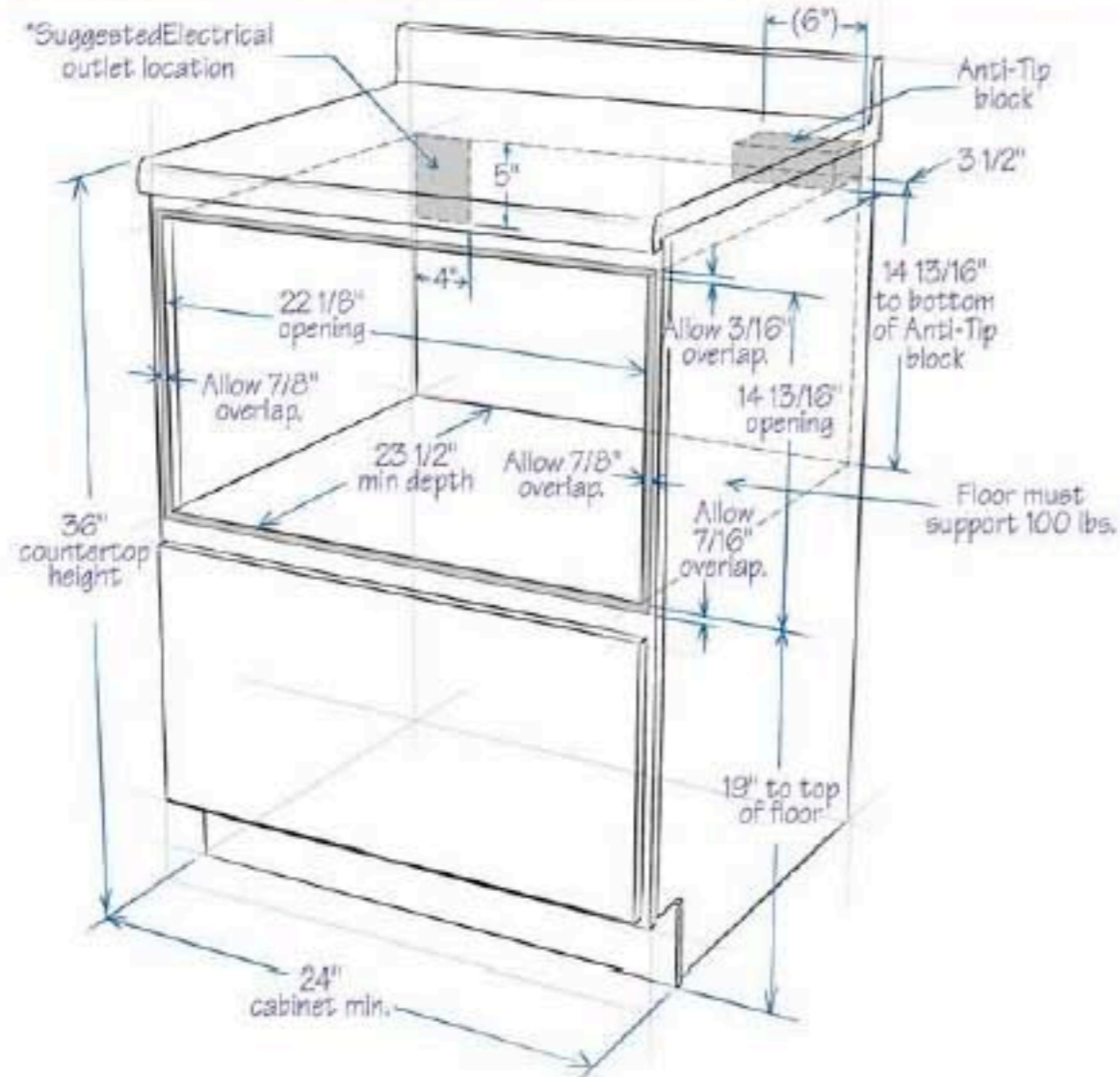
SHARP.

Installation TIPS: 24" Sharp Microwave Drawer® in 24" wide stock cabinet

For frameless style cabinets

* Please refer to the installation manual for more information regarding product safety and proper installation procedures and requirements.

Cabinet cutout specification

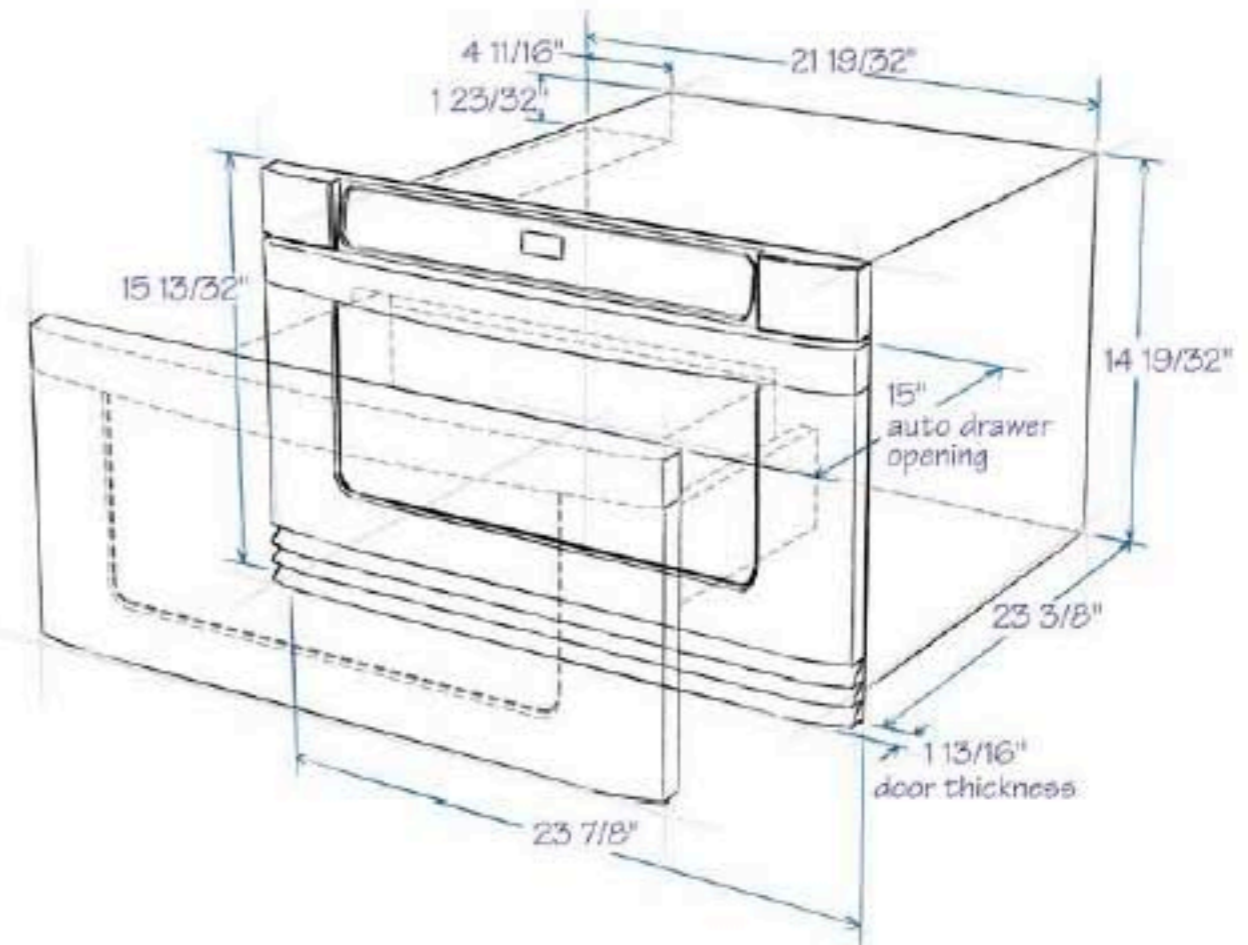


* Can also be installed using an electrical outlet in an adjacent cabinet within the area where the provided electrical cord can reach. Power cord access hole in cabinet should be a minimum 1 1/2" diameter hole and deburred of all sharp edges.

IMPORTANT Always allow sufficient power cord length to the electrical outlet to prevent tension.

Always check electrical codes for requirements.

Microwave Drawer dimensions



Design and specifications are subject to change without notice.

Sharp and Microwave Drawer are registered trademarks of Sharp Corporation. All other trademarks are the property of their respective owners.

08L124

SHARP

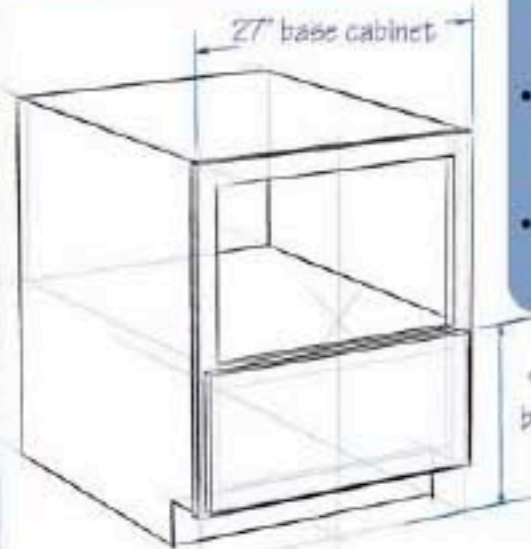
SHARP ELECTRONICS CORPORATION
Sharp Plaza, Mahwah, NJ 07430-2135
1-800-BE-SHARP • www.sharpsusa.com/microwavedrawer

Installation TIPS: 24" Sharp Microwave Drawer® in 27" wide stock cabinet

For face frame style cabinets

* Please refer to the installation manual for more information regarding product safety and proper installation procedures and requirements.

PLANNING

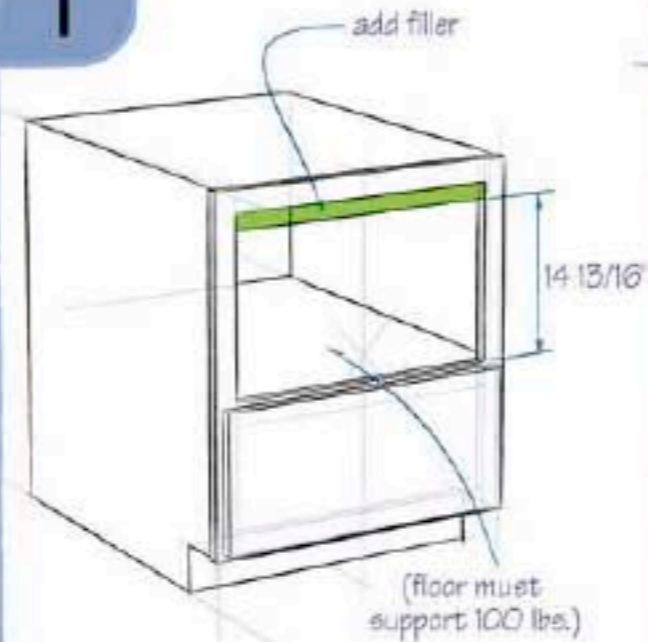


Example Shown:
• Base Microwave Cabinet 34 1/2" H with Deep Bottom Drawer.
• Design and availability vary by cabinet manufacturer.
• Installation requires a pre-finished filler.

*From floor to top of bottom drawer/doors: 18 5/16" max.

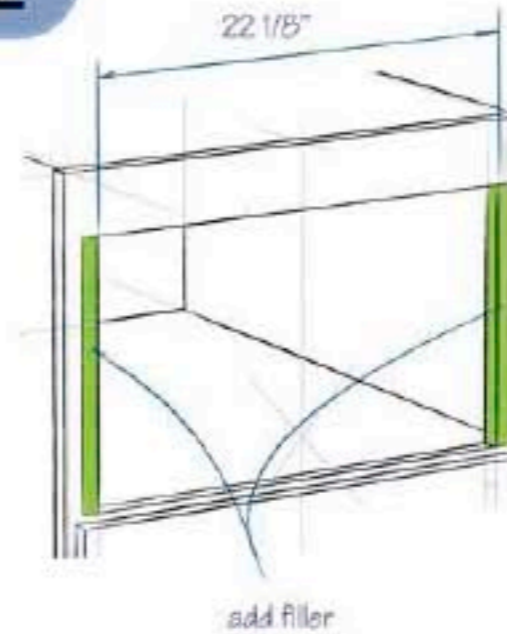
*Dimension allows for 1/4" gap between the Microwave Drawer and the countertop and 1/2" gap between the bottom of the Microwave Drawer and the top of the lower drawer/door.

1



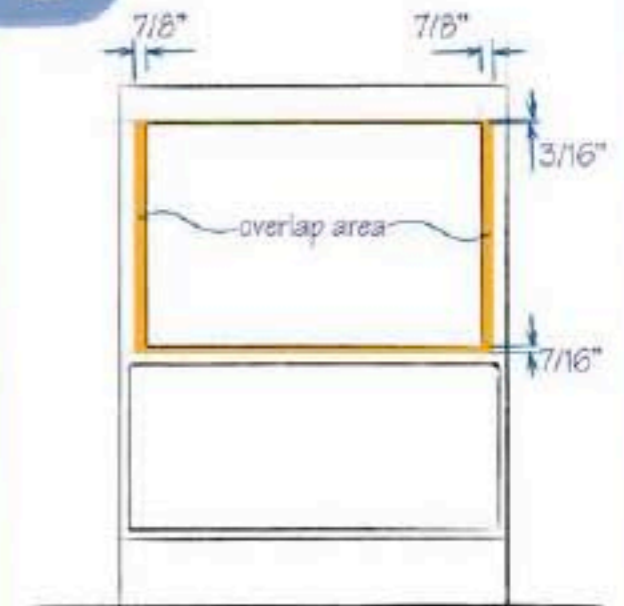
Add horizontal filler to the top of the opening. Height of opening should be 14 13/16".
(floor must support 100 lbs.)

2



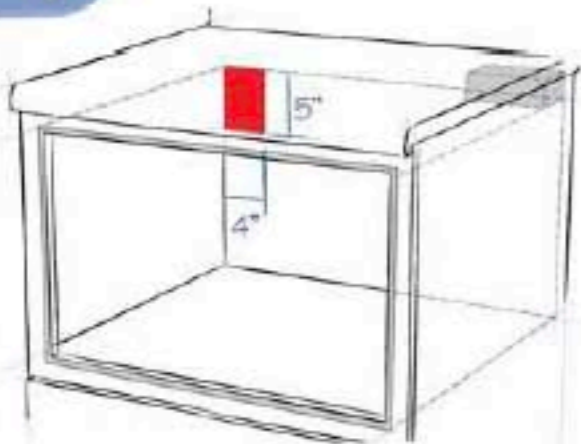
Add vertical fillers to the opening width. The width of the opening should be 22 1/8".

3



Allow space around opening for product overlap.

4



Place electrical outlet in upper back left side in the cavity opening. Can also be installed using an electrical outlet in an adjacent cabinet. Always check electrical codes for requirements.

5



Proceed to the installation manual for instructions on installing the Microwave Drawer into the cabinet.

Completed installation



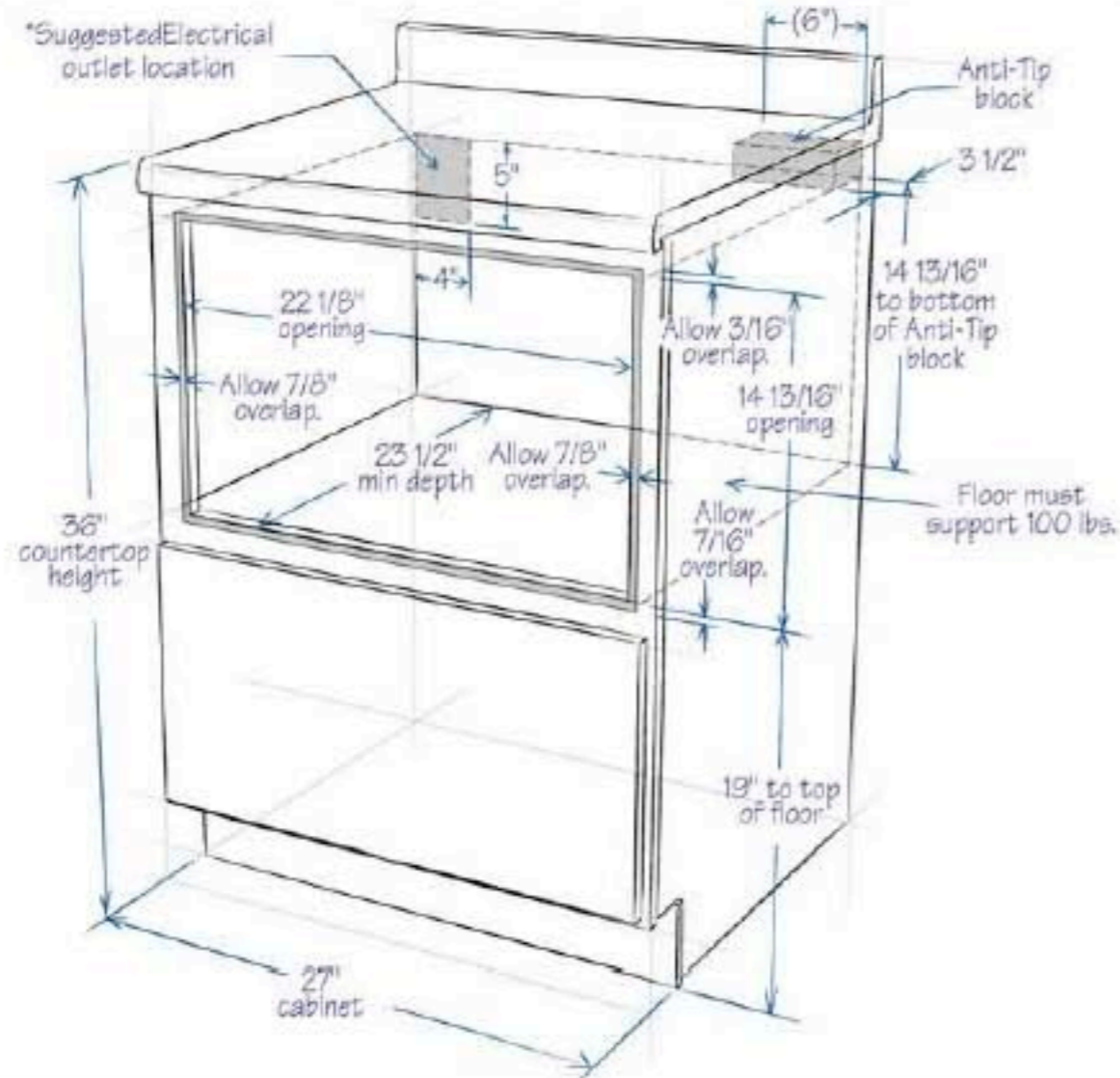
SHARP.

Installation TIPS: 24" Sharp Microwave Drawer® in 27" wide stock cabinet

For frameless style cabinets

* Please refer to the installation manual for more information regarding product safety and proper installation procedures and requirements.

Cabinet cutout specification

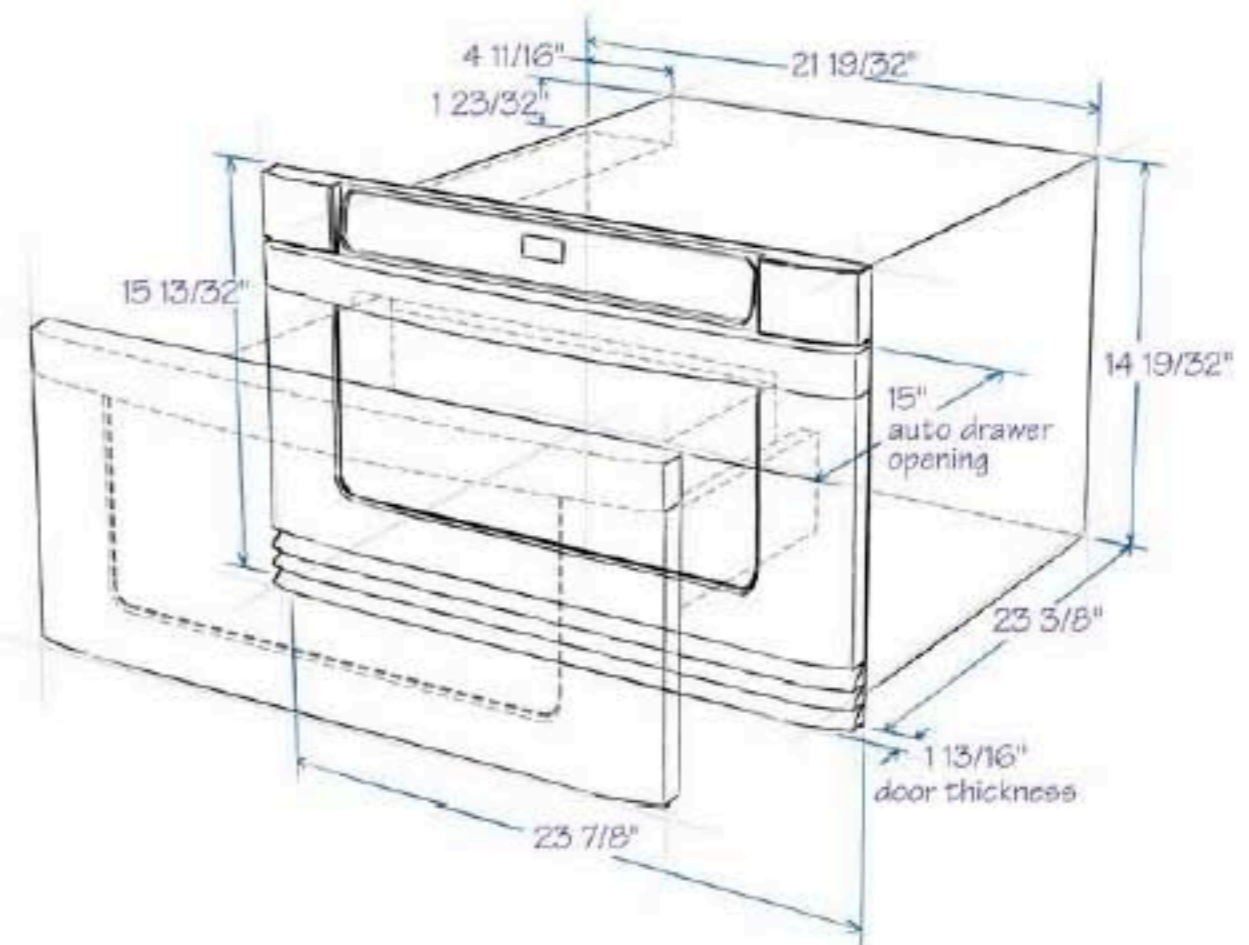


* Can also be installed using an electrical outlet in an adjacent cabinet within the area where the provided electrical cord can reach. Power cord access hole in cabinet should be a minimum 1 1/2" diameter hole and deburred of all sharp edges.

IMPORTANT Always allow sufficient power cord length to the electrical outlet to prevent tension.

Always check electrical codes for requirements.

Microwave Drawer dimensions



Design and specifications are subject to change without notice.

Sharp and Microwave Drawer are registered trademarks of Sharp Corporation. All other trademarks are the property of their respective owners.

06L124

SHARP®

SHARP ELECTRONICS CORPORATION
 Sharp Plaza, Mahwah, NJ 07430-2135
 1-800-BE-SHARP • www.sharpsusa.com/microwavedrawer

Installation TIPS: 24" Sharp Microwave Drawer® in 27" wide stock cabinet

For frameless style cabinets

* Please refer to the installation manual for more information regarding product safety and proper installation procedures and requirements.

PLANNING



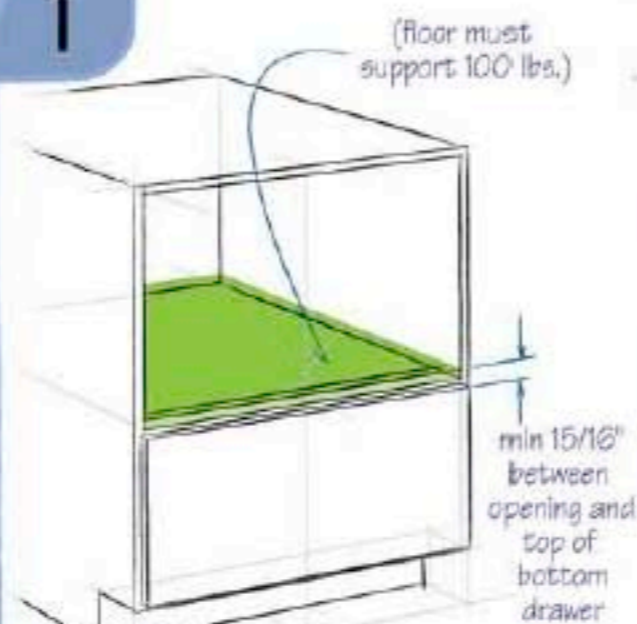
Example Shown:

- Base Microwave Cabinet 34 1/2" H with Deep Bottom Drawer.
- Design and availability vary by cabinet manufacturer.
- Installation requires a pre-finished filler.

*From floor to top of bottom drawer/doors: 18 5/16" max.

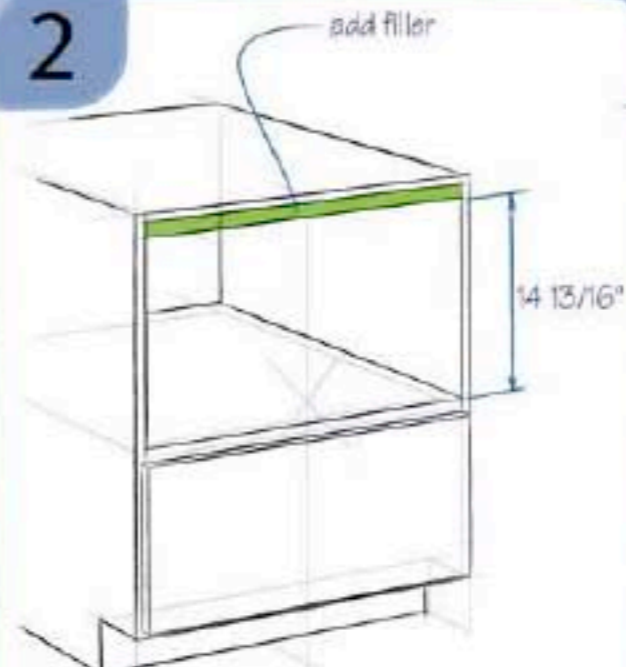
*Dimension allows for 1/4" gap between the Microwave Drawer and the countertop and 1/2" gap between the bottom of the Microwave Drawer and the top of the lower drawer/door.

1



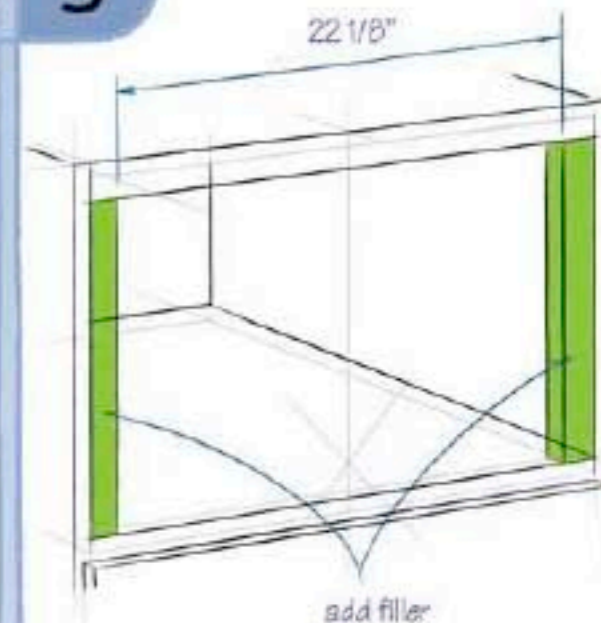
Cabinet floor may need to be raised to allow for product overlap and space above drawer.

2



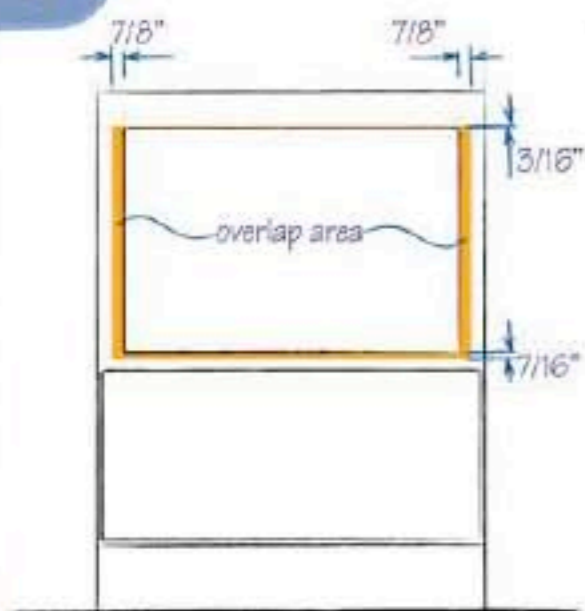
Add horizontal filler to the top of the opening. Height of opening should be 14 13/16".

3



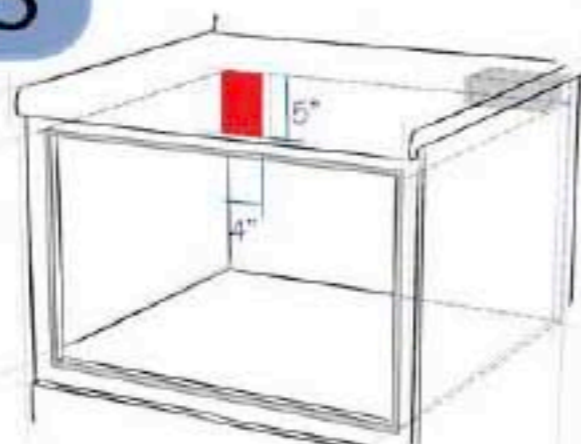
Add vertical fillers to the opening width. The width of the opening should be 22 1/8".

4



Allow space around opening for product overlap.

5



Place electrical outlet in upper-back left side of opening. Electrical outlet can also be placed in an adjacent cabinet. Always check electrical codes for requirements. Proceed to Installation Instructions to install Drawer into cabinet.

Completed installation



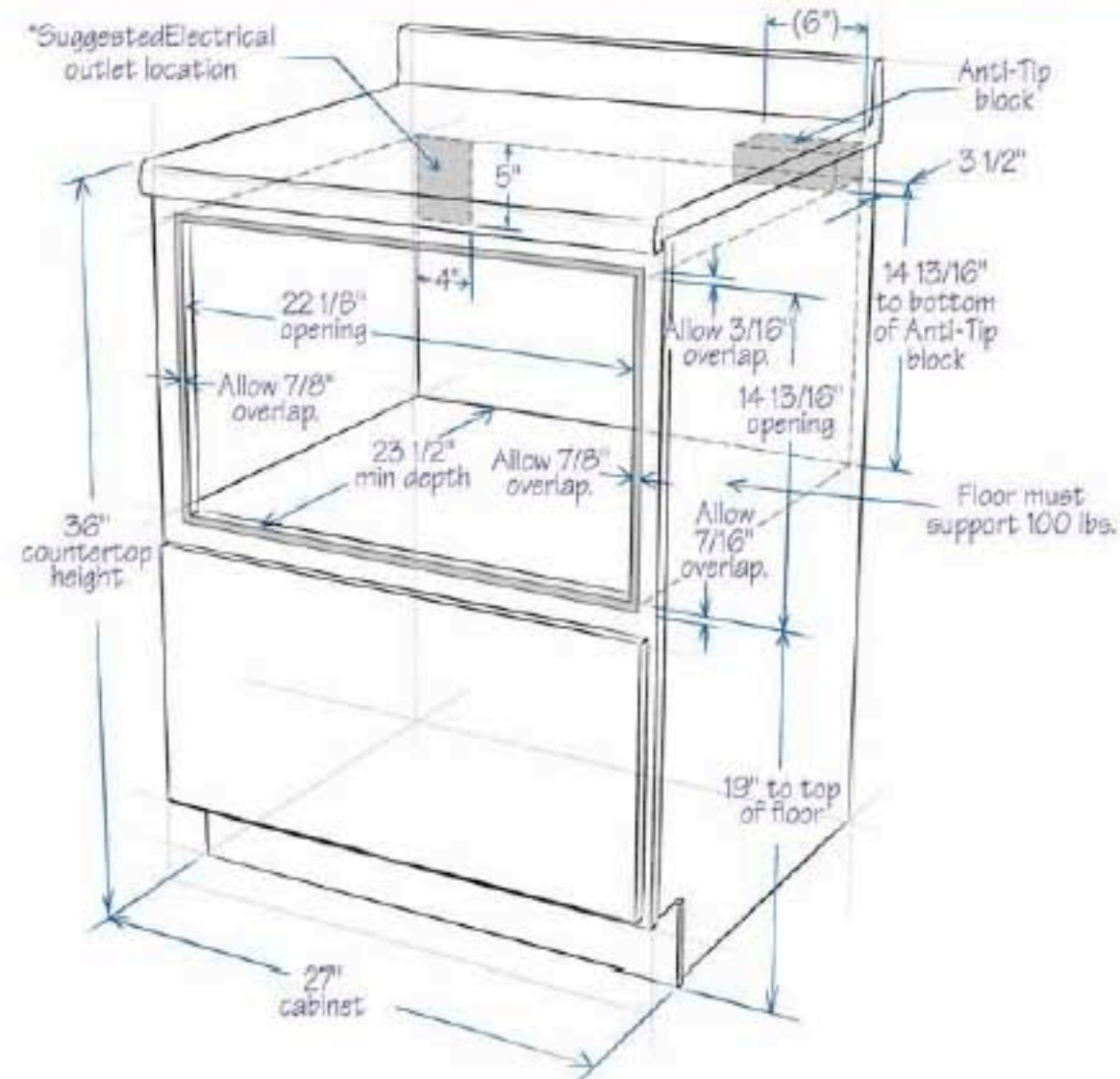
SHARP.

Installation TIPS: 24" Sharp Microwave Drawer® in 27" wide stock cabinet

For face frame style cabinets

* Please refer to the installation manual for more information regarding product safety and proper installation procedures and requirements.

Cabinet cutout specification

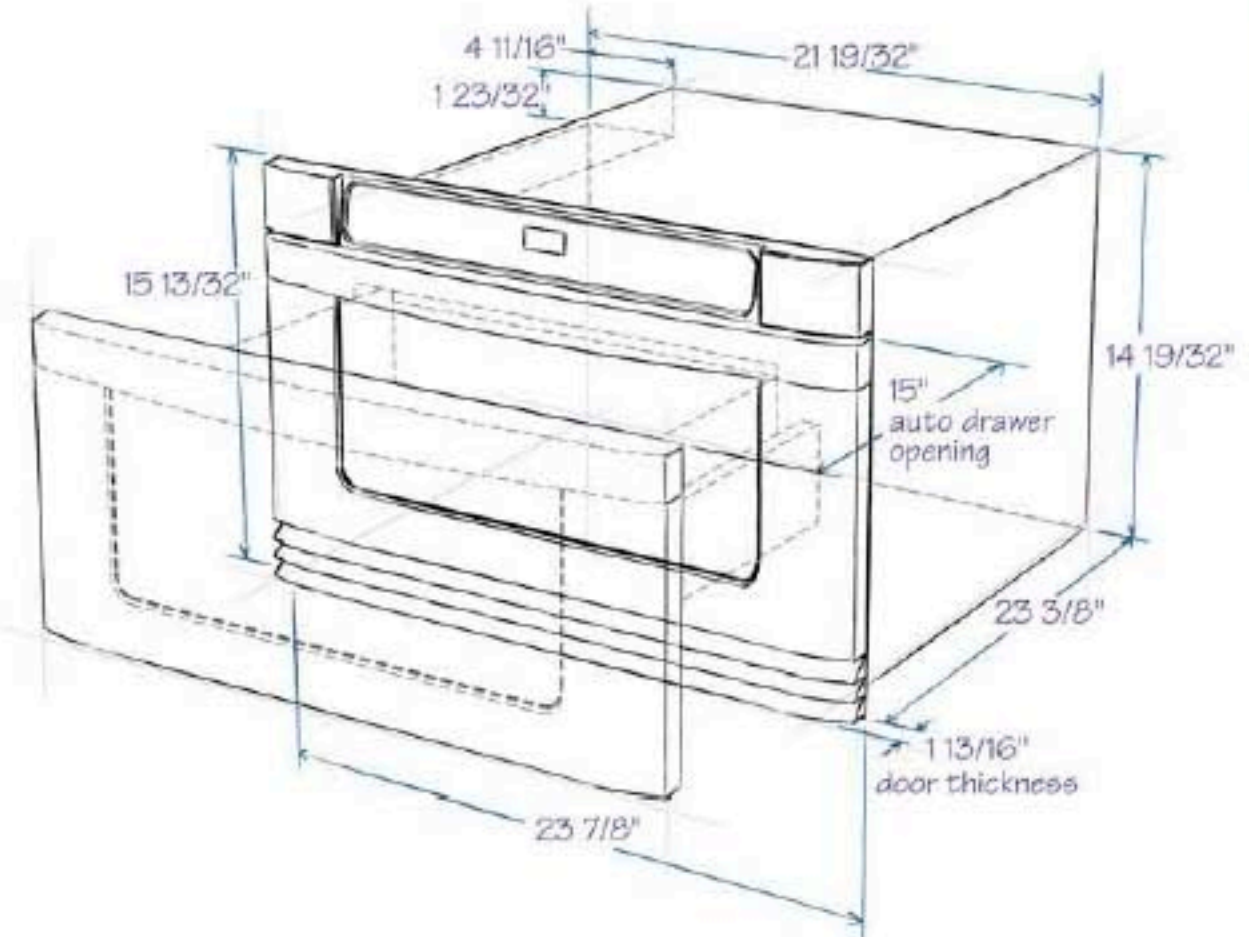


* Can also be installed using an electrical outlet in an adjacent cabinet within the area where the provided electrical cord can reach. Power cord access hole in cabinet should be a minimum 1 1/2" diameter hole and deburred of all sharp edges.

IMPORTANT Always allow sufficient power cord length to the electrical outlet to prevent tension.

Always check electrical codes for requirements.

Microwave Drawer dimensions



Design and specifications are subject to change without notice.

Sharp and Microwave Drawer are registered trademarks of Sharp Corporation. All other trademarks are the property of their respective owners.

06L124

SHARP®

SHARP ELECTRONICS CORPORATION
Sharp Plaza, Mahwah, NJ 07430-2135
1-800-BE-SHARP • www.sharpusa.com/microwavedrawer