

KitchenAid® 30" (76.2 CM) AND 36" (91.4 CM) GAS BUILT-IN COOKTOP

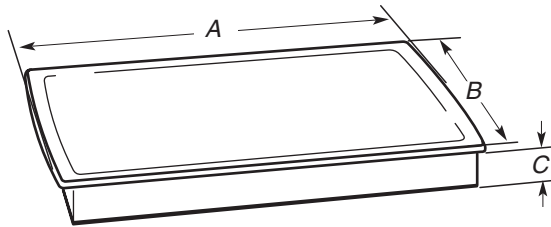
PRODUCT MODEL NUMBERS

KFGS306VSS	KFGU706VSS
KFGS366VSS	KFGU766VSS

ELECTRICAL REQUIREMENTS

- A 120 volt, 60 Hz, AC only, 15-amp, fused electrical circuit is required. A time-delay fuse or circuit breaker is also recommended. It is recommended that a separate circuit serving only this cooktop be provided.

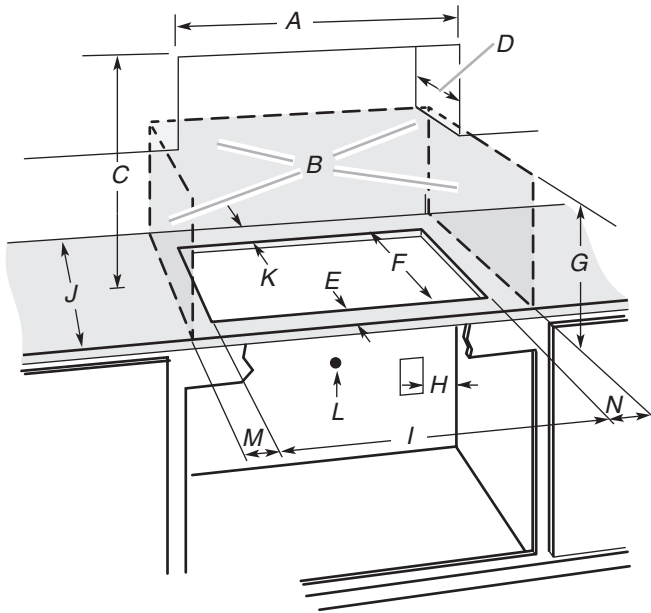
PRODUCT DIMENSIONS



- A. 30 ³/₁₆" (76.7 cm) on 30" (76.2 cm) models, 36 ¹/₄" (92.0 cm) on 36" (91.4 cm) models
- B. 21" (53.3 cm)
- C. 3" (7.6 cm)

CABINET DIMENSIONS

IMPORTANT: If installing a range hood or microwave hood combination above the range, follow the range hood or microwave hood combination installation instructions for dimensional clearances above the cooktop surface.



NOTES: After making the countertop cutout, some installations may require notching down the base cabinet side walls to clear the cooktop base. To avoid this modification, use a base cabinet with sidewalls wider than the cutout.

If cabinet has a drawer, a 4" (10.2 cm) depth clearance from the countertop to the top of the drawer (or other obstruction) in base cabinet is required. The drawer depth may need to be shortened to avoid interfering with the regulator.

GAS SUPPLY REQUIREMENTS

Type of Gas

Natural Gas:

This cooktop is factory set for use with Natural gas. If converting to LP gas, see the following "LP Gas Conversion" section. The model/serial rating plate located on the underside of the cooktop base has information on the types of gas that can be used. If the types of gas listed do not include the type of gas available, check with the local gas supplier.

LP Gas Conversion:

No attempt shall be made to convert the cooktop from the gas specified on the model/serial rating plate for use with a different gas without consulting the serving gas supplier. See the Gas Conversion instructions provided in the package containing literature.

Gas Supply Line

- Provide a gas supply line of ³/₄" (1.9 cm) rigid pipe to the cooktop location. A smaller size pipe on longer runs may result in insufficient gas supply. Pipe-joint compounds that resist the action of LP gas must be used. Do not use TEFLON[®] tape. With LP gas, piping or tubing size should be ¹/₂" minimum. Usually, LP gas suppliers determine the size and materials used in the system.
- Must include a shutoff valve:
The supply line must be equipped with a manual shutoff valve. This valve should be located in the same room but external to the cooktop opening, such as an adjacent cabinet. It should be in a location that allows ease of opening and closing. Do not block access to shutoff valve. The valve is for turning on or shutting off gas to the cooktop.

[®]TEFLON is a registered trademark of E.I. Du Pont De Nemours and Company.

- A. 30" (76.2 cm) on 30" (76.2 cm) models; 36" (91.4 cm) on 36" (91.4 cm) models
- B. Combustible area above countertop (shown by dashed box above)
- C. 30" (76.2 cm) minimum clearance between top of cooktop platform and bottom of uncovered wood or metal cabinet (24" [61.0 cm] minimum clearance if bottom of wood or metal cabinet is covered by not less than ¹/₄" [0.6 cm] flame retardant millboard covered with not less than No. 28 MSG sheet steel, 0.015" [0.04 cm] stainless steel, or 0.024" [0.06 cm] aluminum or 0.020" [0.05 cm] copper). If installing a range hood see NOTES.*
- D. 13" (33.0 cm) recommended upper cabinet depth
- E. ¹/₈" (2.8 cm)
- F. 20" (50.8 cm)
- G. 18" (45.7 cm) minimum clearance from upper cabinet to countertop within minimum horizontal clearances to cooktop
- H. Grounded outlet - Locate within 24" (61.0 cm) of right rear corner of cutout
- I. 29" (73.7 cm) on 30" (76.2 cm) models; 35 ¹/₄" (89.5 cm) on 36" (91.4 cm) models
- J. 24" (61.0 cm) minimum countertop depth is required
- K. 2 ⁷/₈" (7.3 cm) minimum distance to rear combustible surface
- L. Gas line opening - Wall: anywhere 5" (12.7 cm) below underside of countertop. Cabinet floor: anywhere within 6" (15.2 cm) of rear wall is recommended
- M. 8" (20.3 cm) minimum distance to nearest left side combustible surface.**
- N. 8" (20.3 cm) minimum distance to nearest right side combustible surface.**
- 30" (76.2 cm) Cooktop Overall:** M + N must equal 48" (122.0 cm) minimum + 29" (73.7 cm) cutout for cooktop or 77" (195.6 cm)
- 36" (91.4 cm) Cooktop Overall:** M + N must equal 48" (122.0 cm) minimum + 35 ¹/₄" (89.5 cm) cutout for cooktop or 83 ¹/₄" (211.5 cm)
- **M + N combined must be at least 48" (122.0 cm) minimum overall
Example 1: M = 8" (20.3 cm) left side + N = 40" (101.6 cm) right side = 48" (122.0 cm)
Example 2: M = 24" (61.0 cm) left side + N = 24" (61.0 cm) right side = 48" (122.0 cm)