



1175WC

1000 SERIES

FEATURES

PERFORMANCE

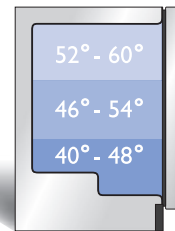
- Wine bottle capacity of up to 48 bottles (.75L)
- Touch pad digital control featuring easy view command center and door open alert
- Digital controlled triple temperature zone
- Temperature range 40 to 60°F
- Stable, consistent temperatures provide longer term storage capability
- Sabbath / Blackout mode turns off all lighting and controls display and automatically resets after 36 hours
- UL residential and commercial listings

INTERIOR / EXTERIOR

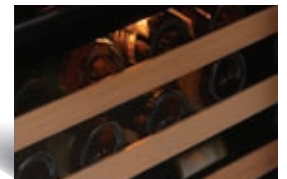
- Lighted black interior optimizes elegant display of wines and can be manually turned on for display with door closed; automatically shuts off after four hours
- Solid beech wood trimmed, 3/4 extension black powder coated wine racks
- Standard commercial stainless steel handle is interchangeable with professional handle option on stainless steel model
- Stainless steel model has stainless steel wrap with black caps on top and bottom to make this unit field reversible
- Black model has integrated handle and is field reversible
- LowE coated, argon gas filled thermopane glass door provides protection from harmful UV rays and added insulating energy efficiency
- Black vinyl clad textured cabinet is more resistant to scratching, peeling and flaking
- Black and stainless models available with optional door lock*

INTEGRATION

- Solid beech wood trim on wine racks can be stained to match surrounding cabinetry
- Allow a 2-1/2" clearance on hinged side for 90° door opening when installed adjacent to a wall (for stainless steel model)
- Allow 1/4" width overall for proper installation (see backside for details)
- No additional clearance around sides, top or rear of unit is needed for ventilation
- Do not obstruct front grille air flow
- Durable, factory installed level legs provide a more precise undercounter fit
- Product note: with left hand hinge installation, allow for 145° door swing to ensure extension of wine rack

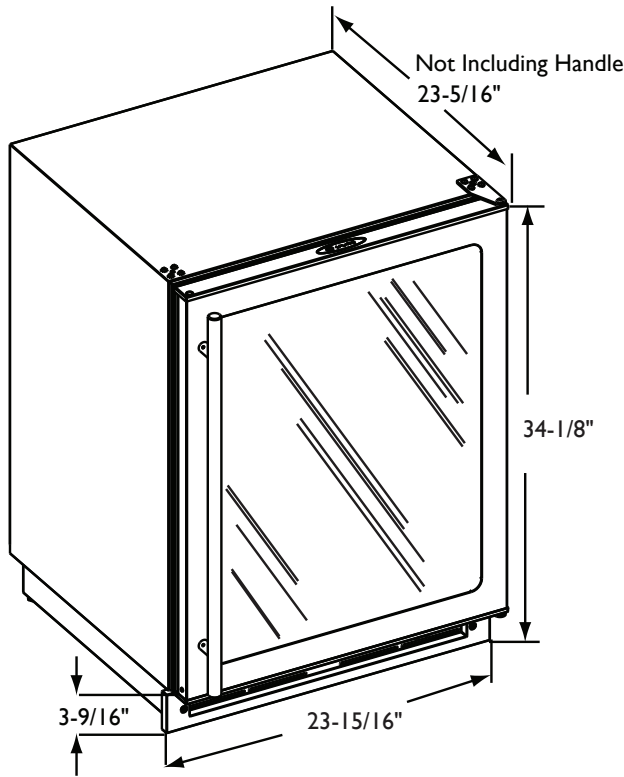


Triple Zone System featured in 1175WC.

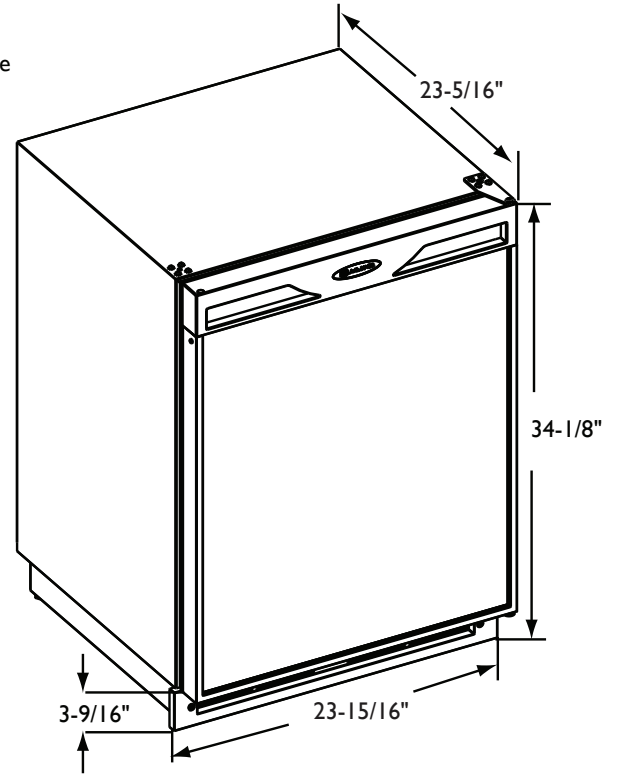


For elegant presentation of your wine collection, all U-Line Wine Captain® Models have an illuminated interior.

*Black lock model is field reversible, stainless lock model must be ordered right-hand or left-hand hinge specific.



I1175WCS Stainless Model



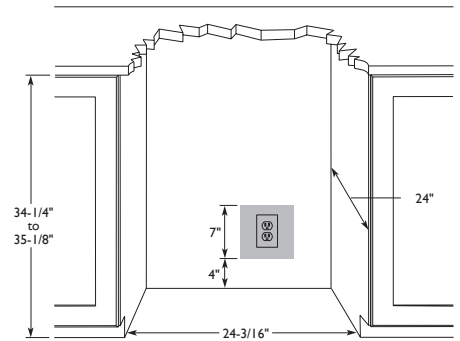
I1175WCB Black Model

DIMENSIONS AND SPECIFICATIONS

OVERALL DIMENSIONS

Height	34-1/8" (86.6)
Width	23-15/16" (60.6)
Depth	23-1/2" (59.6)
With stainless steel handle	25-3/8" (64.4)
Shipping weight:	
Black model	132 lbs (53 kg)
Stainless model	134 lbs (60 kg)
Running amps	2.4
Maximum start-up amps	9.8
Amps pertain to voltage rating	110/115 volt, 60 Hz
Capacities:	
Wine bottle storage (0.75L)	Up to 48
*Note: When installing a black model, allow for 145° door swing to ensure wine racks slide out.	

I1175WC	
Stainless	U-I1175WCS-00
Black	U-I1175WCB-00
Stainless RH, with lock	U-I1175WCS-13
Stainless LH, with lock	U-I1175WCS-15
Black with lock	U-I1175WCB-13



Please visit www.u-line.com for installation guide.

All specifications are subject to change without notice.

