



### Product Registration

You have received a carton containing your U-Line Wine Captain®, Refrigerator, or Beverage Center with a package inside containing a Use and Care Guide and a Product Registration Card. Complete and mail the Product Registration Card or register online at [www.U-LineService.com](http://www.U-LineService.com). Once your unit is installed, keep the Use and Care Guide and this Installation Guide in a safe place for future reference.

### Models Covered

This installation guide covers the following models.

U-1075BEVS-00	U-ADA24RGLB-13
U-1075WCS-00	U-ADA24RGLS-13
U-1115RB-00	U-ADA24RGLS-15
U-1115RS-01	U-ADA24RS-13
U-1115WCB-00	U-ADA24RS-15
U-1115WCS-00	ULN-29RB-00
U-1175BEVS-00	ULN-29RB-13
U-1175RB-00	ULN-29RB-15
U-1175RB-13	ULN-29RWH-00
U-1175RS-00	ULN-29RWH-13
U-1175RS-01	ULN-29RWH-15
U-1175RW-00	ULN-75FB-00
U-1175RW-13	ULN-75FB-00
U-1175WCB-00	ULN-75FB-13
U-1175WCS-00	ULN-75FWH-00
U-ADA24RB-13	ULN-75FWH-13

### Inspection

Unwrap and inspect the unit on a flat, level surface capable of supporting its entire weight.

### Tools / Material Required

- Screwdrivers — slotted and Phillips head
- 1/4-inch thick door panel material and cutting tools (If installing a 1/4" Panel)

*(optional for finishing wood fronts)*

- Minwax® Water-Based Wood Stain
- Minwax® Polycrylic® Protective Finish
- Foam Applicator and / or Synthetic Bristle Brush
- 220 grit Sandpaper
- 280 grit Sandpaper

### Exterior Cleaning

(As Required)

#### Black and White Models:

- Black and White surfaces may be cleaned with a mild detergent and warm water solution. Do not use solvent-based or abrasive cleaners. Use a soft sponge and rinse with clean water. Wipe with a soft, clean towel to prevent water spotting.

#### Stainless Models:

- Stainless door panels, handles and frames can discolor when exposed to chlorine gas, pool chemicals, salt water or cleaners with bleach.
- Clean any glass door fronts with a non-chlorine glass cleaner.
- Keep your Stainless unit looking new by cleaning with a good quality all-in-one stainless steel cleaner/polish on a monthly basis. For best results use Claire Stainless Steel Polish and Cleaner, which can be purchased from U-Line Corporation (Part numbers 173348). Frequent cleaning will remove surface contamination that could lead to rust. Some installations may require cleaning on a weekly basis.
- **Do not clean with steel wool pads.**
- **Use of abrasive pads such as Scotchbrite will cause the graining in the stainless to become blurred.**
- **Do not use stainless steel cleaners/polishes on any glass surfaces.**
- **Do not use cleaners that are not specifically intended for stainless steel on stainless surfaces (this includes glass, tile and counter cleaners).**
- If any surface discolors or rust appears, clean it quickly with Bon-Ami or Barkeepers Friend Cleanser and a non-abrasive cloth. Always clean in the direction of the grain. Always finish this process with Claire Stainless Steel Polish and Cleaner or comparable product to prevent further problems.



**Rust that is allowed to linger can penetrate into the surface of the stainless steel and complete removal of the rust may not be possible.**

## 4 Prepare Site

Your U-Line product has been designed for either free-standing or built-in installation. When built-in, your unit does not require additional air space for top, sides or rear. However, the front grille must NOT be obstructed and clearance is required for an electrical connection in the rear.

### WARNING

Unit can NOT be installed behind a closed cabinet door.

### WARNING

#### SHOCK HAZARD — Electrical Grounding Required.

- Never remove the round grounding prong from the plug and never use a two-prong grounding adapter.
- Never use an extension cord to connect power to the unit.

### IMPORTANT

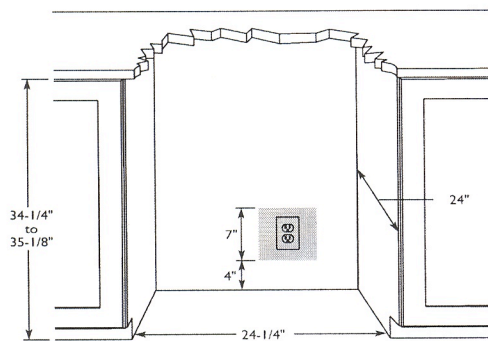
Electrical installation must observe all state and local codes. This unit requires connection to a grounded (three-prong), polarized receptacle that has been placed by a qualified electrician.

The unit requires a grounded and polarized 115 VAC, 60 Hz, 15A power supply (normal household current). An individual, properly grounded branch circuit or circuit breaker is recommended. GFCI (ground fault circuit interrupter) is usually not required for fixed location appliances and is not recommended for your unit because a GFCI could be prone to nuisance tripping. However, be sure to consult your local codes.

## Cut-Out Dimensions

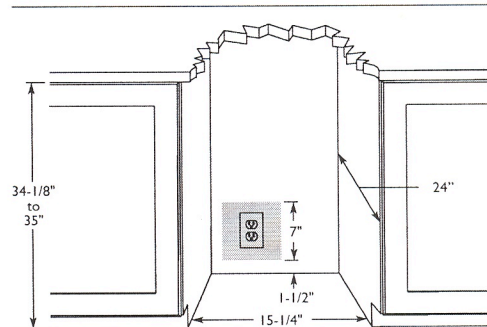
### 1175, 1075 & 75F Series

Follow the cut-out drawing. The 24-1/4" width allows 1/4" for ease in installation and removal of the unit. 24" is the cabinet depth in most installations.



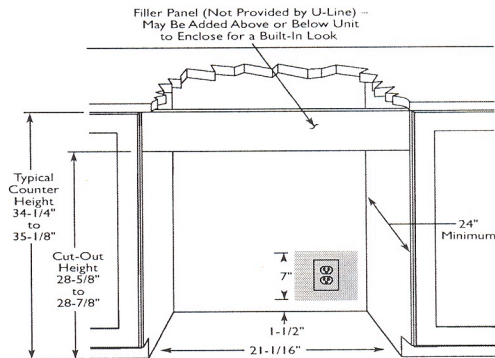
### 1115 Series

Follow the cut-out drawing. The 15-3/16" width allows 1/4" for ease in installation and removal of the unit. 24" is the cabinet depth in most installations.



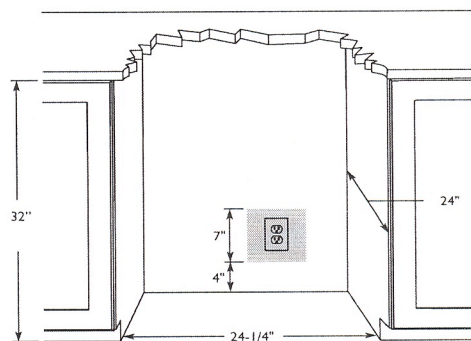
### 29 Series

Follow the cut-out drawing. The 21-1/16" width allows 1/4" for ease in installation and removal of the unit. 24" is the counter depth in most installations. The unit is 23" deep including the door.



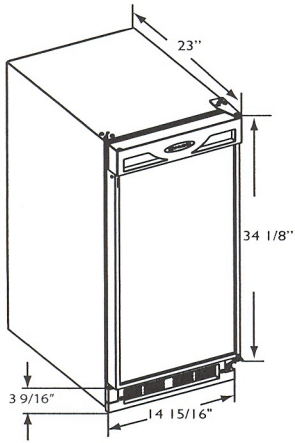
### ADA24 Series

Follow the cut-out drawing. The 24 1/4" width allows 1/4" for ease in installation and removal of the unit. 24" is the cabinet depth in most installations.

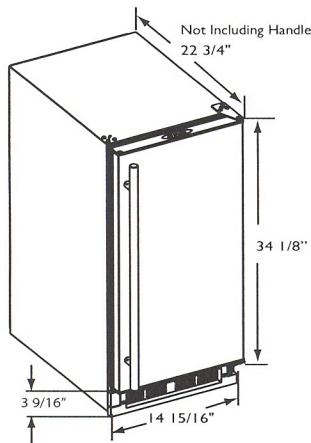


**5 Product Dimensions**

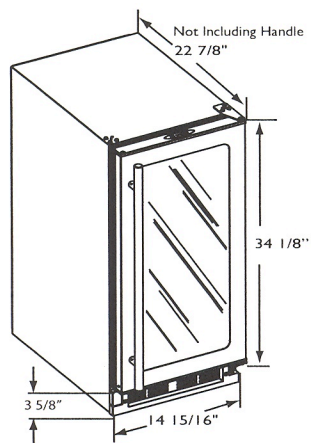
**1115 Series**



1115 Refrigerator & Wine Captain®

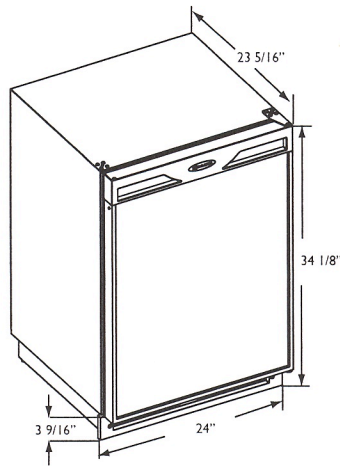


Stainless Refrigerator 1115RS

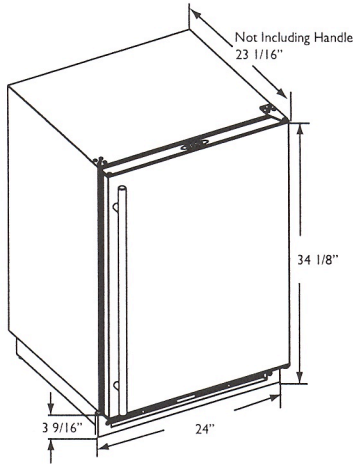


Stainless Wine Captain® 1115SWC

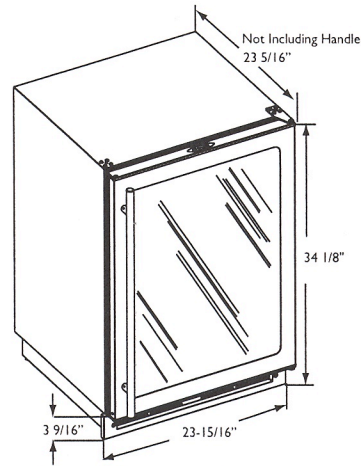
**1175 Series**



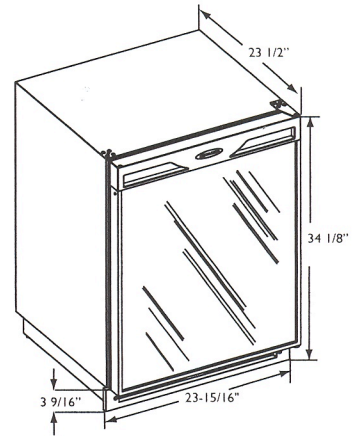
1175 Refrigerator & 75FB



1175 Stainless Refrigerator

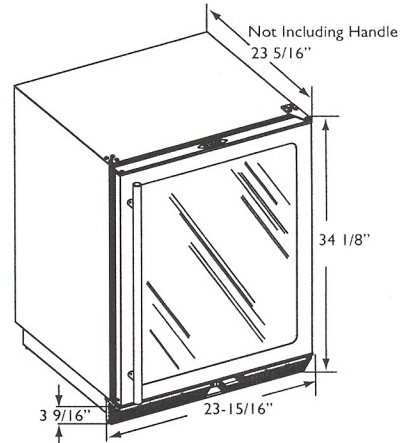


1175 Stainless Wine Captain® & Beverage Center



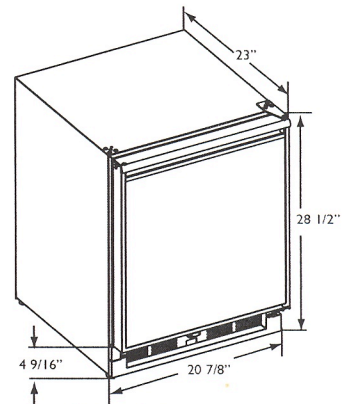
1175 Wine Captain®

**1075 Series**



1075 Stainless Beverage Center & Wine Captain®

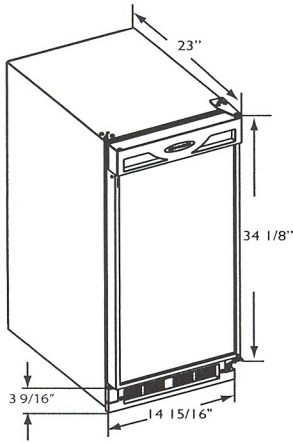
**29 Series**



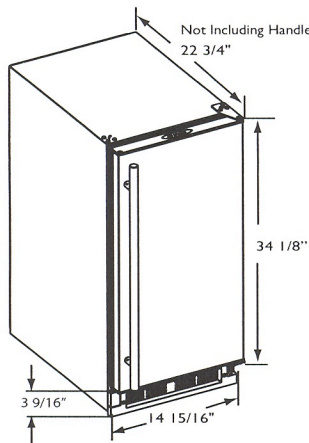
29 Series Refrigeration Units

**5 Product Dimensions**

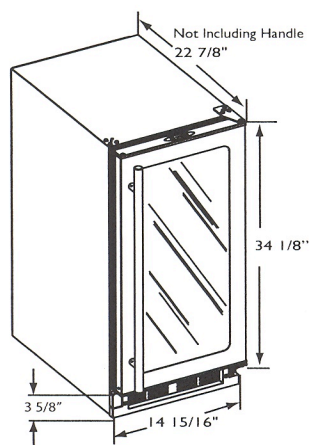
**1115 Series**



1115 Refrigerator & Wine Captain®

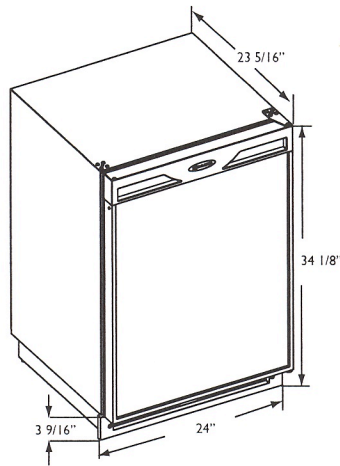


Stainless Refrigerator 1115RS

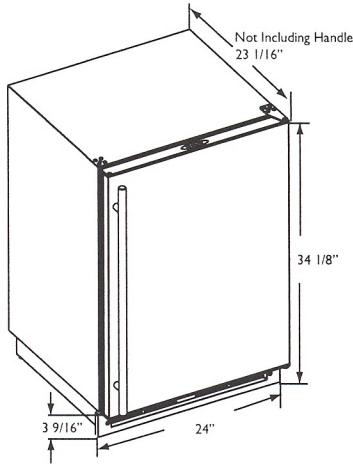


Stainless Wine Captain® 1115WC

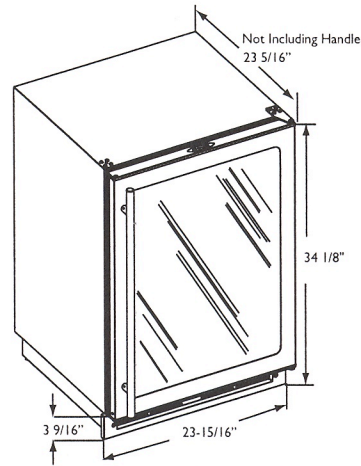
**1175 Series**



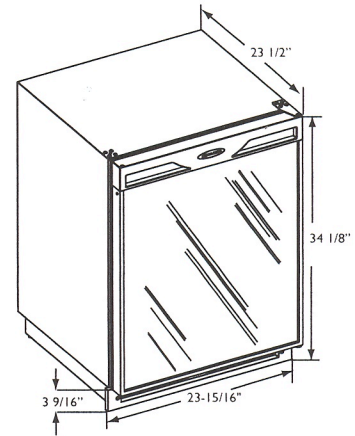
1175 Refrigerator & 75FB



1175 Stainless Refrigerator

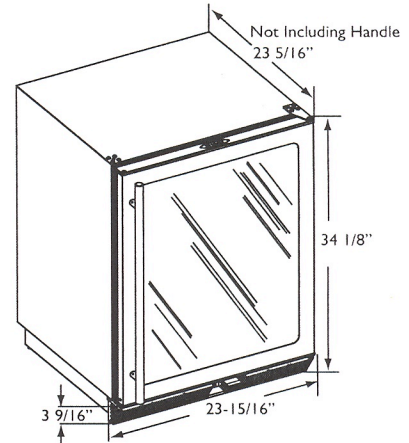


1175 Stainless Wine Captain® & Beverage Center



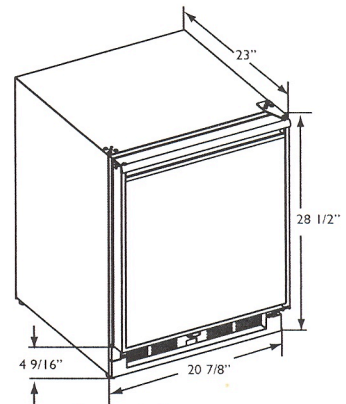
1175 Wine Captain®

**1075 Series**



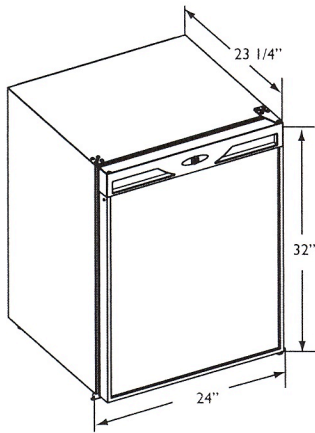
1075 Stainless Beverage Center & Wine Captain®

**29 Series**



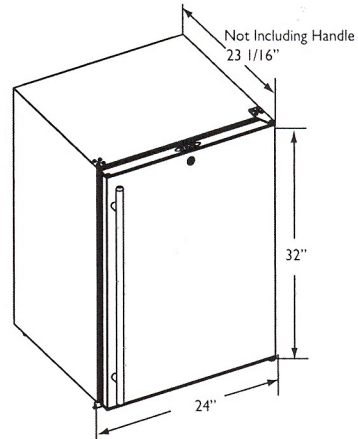
29 Series Refrigeration Units

**ADA24R(GL)B Series**

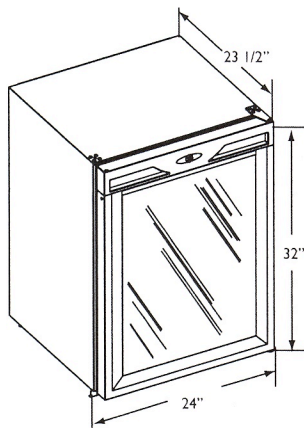


Refrigerator ADA24RB

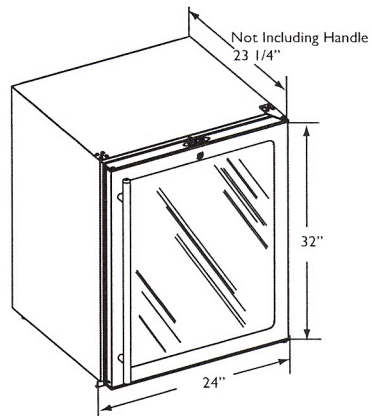
**ADA24R(GL)S Series**



Stainless Refrigerator ADA24RS



Glass Refrigerator ADA24RGLB



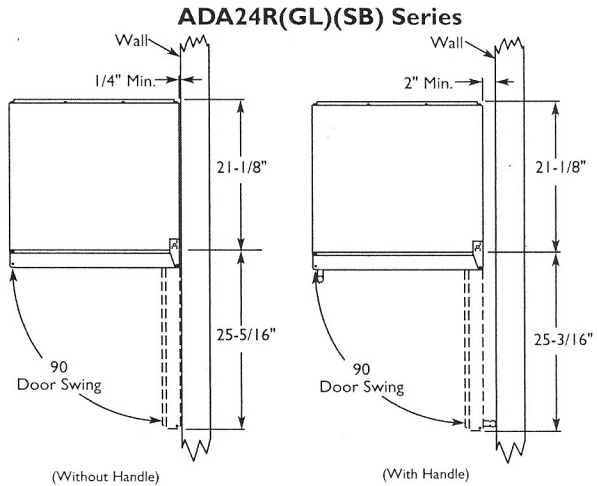
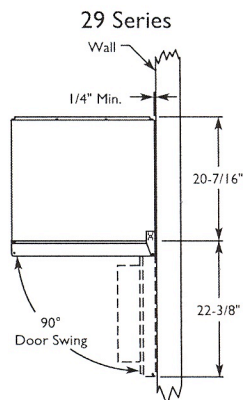
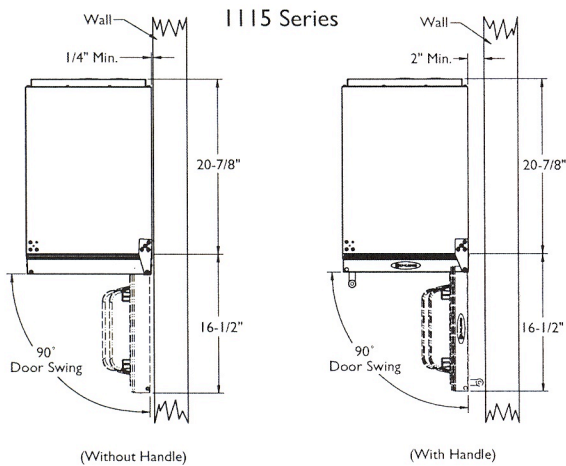
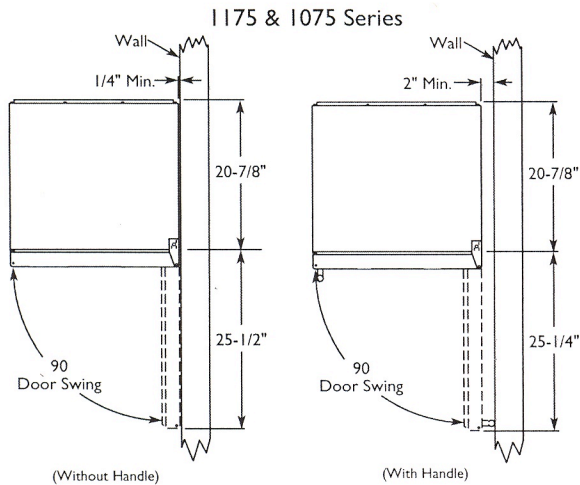
Stainless Glass Refrigerator ADA24RGLS

## 6 Door Swing Dimensions

All units have a zero clearance for the door to open 90°. U-Line recommends a minimum door clearance of 2" to accommodate the handle if the unit is installed next to a wall or similar type of structure.

### IMPORTANT

Non stainless 1175 or 1115 Wine Captain® models must have a full 135° available for door swing.



## Other Site Requirements

### Side-By-Side Installation

For a complete refreshment center, install two units side by side:

Cut-out width for a side-by-side installation is the total of the widths listed under Cut-Out Dimensions in each unit's Installation Guide.

No trim kit is required. However, 1/4-inch space needs to be maintained between the units to ensure unobstructed door swing.

Units must operate from separate, properly grounded electrical receptacles placed according to each unit's Electrical Specifications Requirements

### Power Supply

The unit requires a grounded and polarized 115 VAC, 60 Hz, 15A circuit (normal household current).

### Environmental Requirements

The units are designed to operate between 50°F (10°C) and 100°F (37°C). High ambient temperatures (100°F [37°C] or higher) may reduce the unit's ability to reach low temperatures.

For best performance, keep the unit out of direct sunlight and away from heat generating equipment.

In climates where high humidity and dew points are present, condensation may appear on outside surfaces. This is considered normal. The condensation will disappear when the humidity drops.

## 8 Wood Trim Finishing

### WARNING

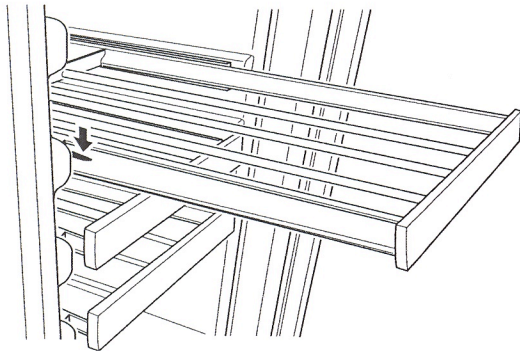
To prevent permanent damage to the inner liner of the Beverage Center and the Wine Captain, the wire rack wood trim **MUST** be removed from the unit for staining and/or finishing. Allow stain/finish to dry thoroughly (at least 24 hours) in accordance with the stain/finish manufacturer's instructions prior to re-installing the wood trim inside the cabinet of the Beverage Center or Wine Captain. Failure to do so may cause the inner liner of the unit to have a permanent odor, which is not covered by the warranty.

### IMPORTANT

- Your model may contain an electronic display panel in the lowest level trim piece. After removing the trim screws and gently pulling the trim from its location, a wiring harness connector will become visible. Unplug the connector and remove the trim from the interior.
- Glass in door is tinted. Stain may look darker when door is closed.

#### Removing Wire Racks

1. Grasp the end of the rack, and gently slide it out until it stops.
2. Remove any bottles stored on the rack.
3. Press the left rack release lever (see above) down, and at the same time, lift the corresponding right rack release lever up, and pull the rack out until it is free of the tracks and the cabinet.
4. Do not remove the track side rails from the cabinet.



#### To insert a rack in the cabinet:

1. Align the left and right rack channels with the tracks in the cabinet, and ensuring an even track engagement on both sides, gently push the rack into the cabinet until it stops.

Before reloading the rack, ensure proper operation of the travel stops in the left and right track rails by pulling the rack out gently until it completely stops.

#### Staining and final finish application:

### IMPORTANT

**DO NOT** use oil-based stains on wood trim. Vapors from oil-based stains will permanently penetrate the liner and will not dissipate over time.

1. Remove all screws securing wood trim to interior parts, and remove the trim from the cabinet interior.
2. Lightly sand and clean wood.
3. Apply Minwax® Water-Based Wood Stain to wood with a synthetic bristle brush or a foam applicator. Allow stain to penetrate about three minutes. Before the stain is dry, take a stain dampened rag and remove any excess stain remaining. Wipe towards the grain with medium pressure to achieve the desired stain color.
4. After two hours, repeat step 2. This will even out the color of the wood.
5. Allow stain to dry for a minimum of three hours before applying the final finish.
6. If desired, sand the wood with very fine sandpaper to smooth the surface after staining.
7. Remove all dust from the wood, and apply one coat of Minwax® Polycrylic® Protective Finish using a synthetic bristle brush to the wood. Apply this finish in a thin coat following towards the grain. Apply the finish to the back and sides of the wood first, and allow it to dry for two hours. Apply the finish to the front side of the wood next, and allow it to dry for two hours. Sand with very fine 220 grit sandpaper. Apply two more coats of finish in the same manner, but do not sand the trim after applying the final third coat.
8. Allow the final coat to dry for 24 hours before reinstalling the trim to the cabinet interior parts.

#### Final finish-only application:

1. Remove all screws securing wood trim to interior parts, and remove the trim.
2. Lightly scuff sand the wood trim with 280 or finer grit sandpaper.
3. Remove sanding dust with a clean, dry cloth.
4. The factory-applied seal is compatible with almost all finishes. A low odor, water clean up, quick-drying finish such as Minwax® Polycrylic® Protective Finish is recommended (Minwax® Polycrylic® is an ultra fast-drying water-based finish). Apply a thin coat of a clear, protective finish, following the container label directions.
5. Lightly sand and reapply if desired.

Allow the final coat to dry for 24 hours before reinstalling the trim to the cabinet interior parts.

## 9 Door Panel Installation

### Custom 1/4" Thick Door Panel Insert

#### Door Panel Preparation

A custom door panel may be inserted into the doorframe. Custom door panels can be flat or raised, as long as the maximum panel thickness where inserted into the door reveal (channel) is no more than 1/4" thick. For raised panels, the depth of the reveal is 1/4" on all four sides.

#### IMPORTANT

**Raised panels will reduce the door's 90° swing/zero clearance if the unit is installed next to a wall or similar type of structure.**

#### Panel Dimensions.

Model	Width	Height
ADA24RB	22 15/16"	26 15/16"
1175R(B/W)	22 15/16"	26 15/16"
1115R(B/W)	13 15/16"	26 15/16"
29R(B/W)	19 13/16"	21 13/32"

The door panel must not weigh more than 20 lbs.

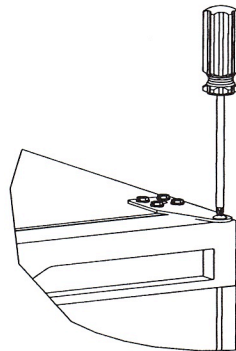
#### Door Panel Installation

Install the insert as follows:

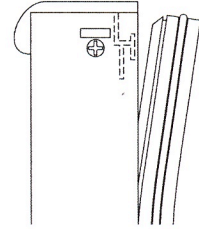
#### CAUTION

**Use care when handling the insert. Insert edges may be sharp.**

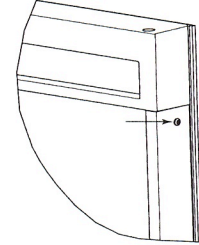
1. Remove top hinge screw pin with Phillips head screwdriver. Remove door by tilting forward and lifting off bottom hinge pin.



2. Pull door gasket out of groove (top edge of door only). Start in the middle and pull outward, moving toward the edge. This may take some force.



3. Remove two outside screws holding door handle. Slightly separate door handle from door.



4. Pull handle up and off.
5. Slide custom door panel insert into 1/4-inch channel in door front.

#### IMPORTANT

**Use care not to damage magnet, located on door bottom when installing door insert. Do not set door on bottom edge when pushing insert into place.**

6. Holding door gasket out of the way, replace handle on door, making sure it is seated properly on insert and that screw holes line up.
7. Install two small screws removed in **Step 3**.
8. Starting at the corners and working inward, push door gasket into place on door.
9. Place door on bottom hinge pin and install upper hinge screw.



## 10 Wood Grille Overlay

### Grille Overlay

Your model grille is designed to accept a wood grille overlay. An overlay may be used to compliment a door overlay and provides a seamless look for your surrounding decor. Follow the instructions below to prepare and install your grille overlay. Be sure to read over this chapter completely before beginning.

### Preparation

#### ⚠ WARNING

The grille overlay **MUST** have venting as shown in the drawing below. Failure to have proper venting can result in damage to your model.

#### ⚠ WARNING

The grille overlay may only be installed on indoor units.

1. Prepare your overlay using the dimensions provided in the figure on page 12. If using a hook and loop style mount, drill hole A will not be used.
2. If desired, stain and finish your grille to match your surrounding decor. Follow the stain manufacturers instructions to apply stain to your overlay.

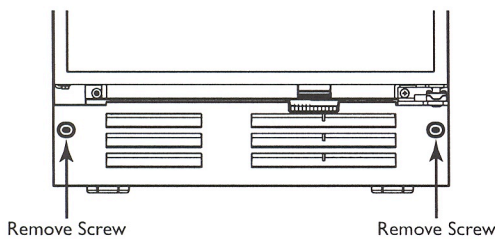
### Installation

#### IMPORTANT

The wood overlay grille must be installed in such a manner that the grille assembly can still be removed from the unit.

#### Screw Mount (Recommended)

1. Remove the grille from your unit by removing the two



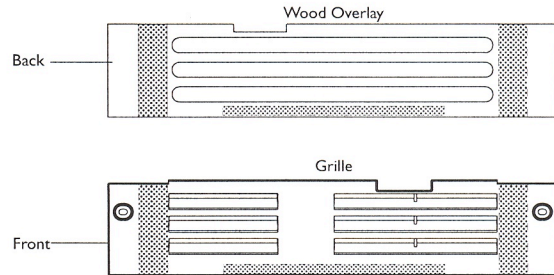
mounting screws. See below.

2. Lay the back of your grille overlay onto the front of the grille. Make certain the screw holes and vents are aligned.
3. Slide each of the screws removed in step 1 through the grille overlay and grille.
4. Mount your new overlay onto your unit by screwing the overlay back onto the base of your unit.

### Hook and Loop Fastener Mount

You may also mount your overlay to your grille using hook and loop type fasteners. U-Line recommends using 3M® Dual lock® fasteners. To mount your overlay using a hook and loop fastener follow the instructions below.

1. Read the instructions provided with your hook and loop fastener carefully.
2. Apply hook and loop fastener system to the back of the overlay and front of the grille. Use the shaded areas in the diagram below for application location.



3. Carefully align the wood overlay with the grille and press into position.

# Grille Overlay Dimensions

