

Installation Instructions

Beverage Center and Wine Chiller

Questions? Call 800.GE.CARES (800.432.2737) or Visit our Website at: ge.com

BEFORE YOU BEGIN

Read these instructions completely and carefully.

- **IMPORTANT** – Save these instructions for local inspector's use.
- **IMPORTANT** – Observe all governing codes and ordinances.
- **Note to Installer** – Be sure to leave these instructions with the Consumer.
- **Note to Consumer** – Keep these instructions for future reference.
- **WARNING** – This appliance must be properly grounded. See "Electrical Supply."
- If you received a damaged beverage center or wine chiller, you should immediately contact your dealer or builder.
- **Skill Level** – Installation requires basic mechanical skills. Proper installation is the responsibility of the installer. Product failure due to improper installation is not covered under the GE Appliance Warranty.

WARNINGS:

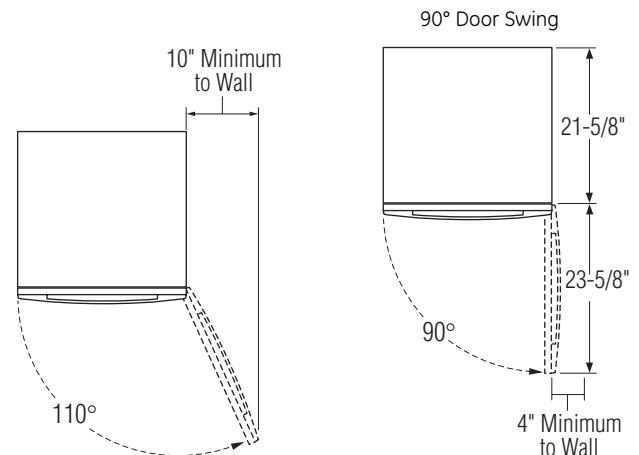
- Use this appliance only for its intended purpose.
- Immediately repair or replace electrical service cords that become frayed or damaged.
- Unplug the unit before cleaning or making repairs.
- Repairs should be made by a qualified service technician.

PRODUCT CLEARANCES

The beverage center and wine chiller is factory set for a 110° door swing.

When installed in a corner:

- Allow 4" min. clearance on the hinge side for the 90° door swing and to allow racks to slide out.
- Allow 10" minimum clearance on the hinge side for a full 110° door swing.



- The door swing is reversible on all models. If desired, change the door swing before installation.

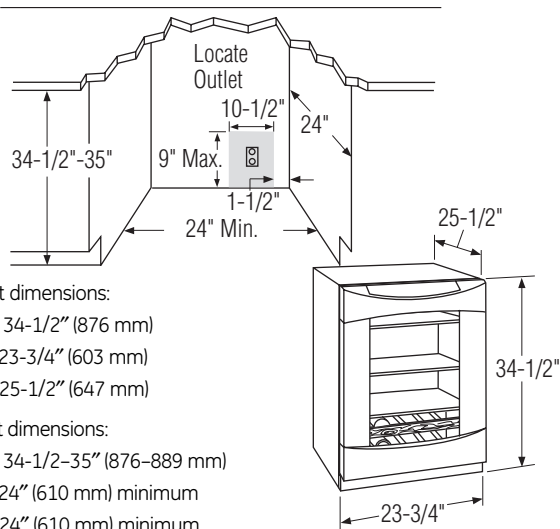
Choose the location:

- These products may be closed in on the top and three sides as long as the front is unobstructed for air circulation and proper access to the door.
- Do not install these products where the temperature will go below 55°F (13°C) or above 90°F (32°C).
- Do not install where it will be subject to direct sunlight, heat or moisture.
- These products are not designed to be stacked one over the other.

Installation Instructions

THE INSTALLATION SPACE

The beverage center and wine chiller can be a free-standing model or it can be built in using the cut-out dimensions below.



The cutout depth should be 24"

The cutout dimensions shown allow for a full door swing and access to the pull-out racks when installed as a built-in in standard 24" deep cabinets.

- The door should protrude 2-1/4" beyond the surrounding cabinets. For easy reference, the back edge of the pocket handle should protrude a minimum of 5/8" beyond the front edge of the countertop.
- If installing between frameless cabinets, a 1/2" wide filler strip or side panel may be needed on hinge side. The filler strip will act as a spacer between the case and adjacent cabinet door swing. The width of the opening must include the filler panels. **NOTE:** The door should protrude 2-1/4" beyond the surrounding cabinets.
- The beverage center and wine chiller can be installed freestanding.

Additional Specifications

- A 120 volt 60Hz., 15 or 20 amp power supply is required. An individual properly grounded branch circuit or circuit breaker is recommended. Install a properly grounded 3-prong electrical receptacle recessed into the back wall as shown. Electrical must be located on rear wall as shown. **NOTE: GFI (ground fault interrupter) is not recommended.**

SIDE-BY-SIDE INSTALLATIONS

Increase storage capacity by installing two beverage centers or wine chillers together. Or, for a complete refreshment center, install any two of these units together.

- A side-by-side installation requires at least a 47-1/2" wide opening. No trim kits required.
- Products must operate from separate, properly grounded receptacles.

