
FIREPLACE CABINETRY FLOOR PLAN
 SCALE: 3/8" = 1' 0"

Classic Bath Designs, Inc.
 11544 Sheldon St., Sun Valley, CA 91352
 818.767.1144 fax: 818.767.1278



Cust: Dutton for Juarez

PO# SngFamDwell

Scale: As Noted

FIREPLACE

Approved _____

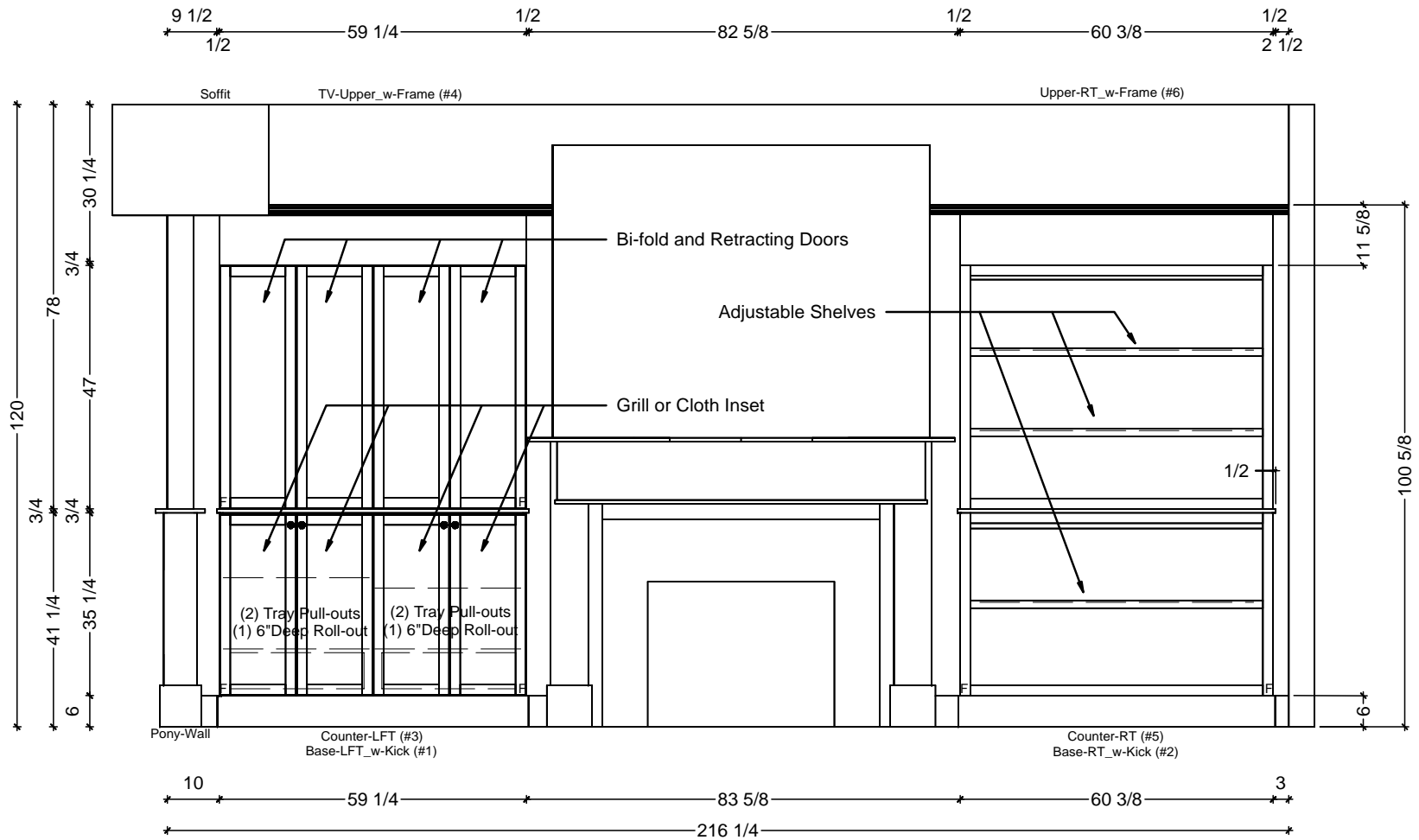
Job: FI-FL-FF_PG/PG:perSample_IntEB:PG

Size: A

Dr By: Brian

08/06/2013

Fr.0

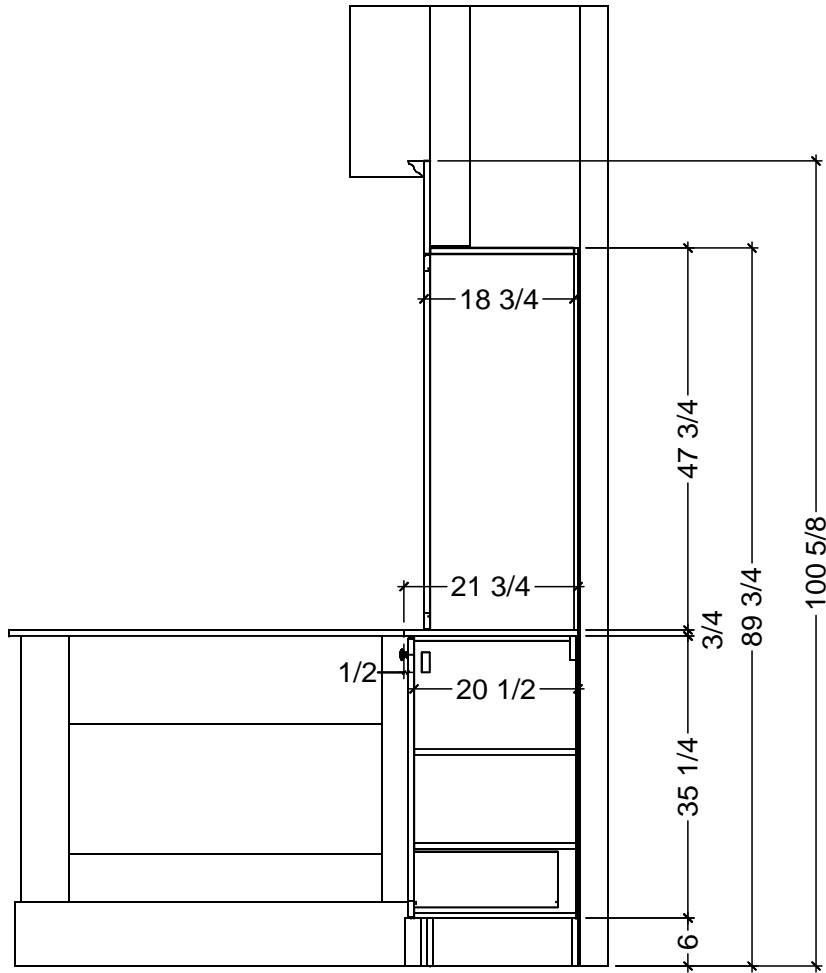


1 FIREPLACE ELEVATION - SOUTH
 SCALE: 3/8" = 1' 0"

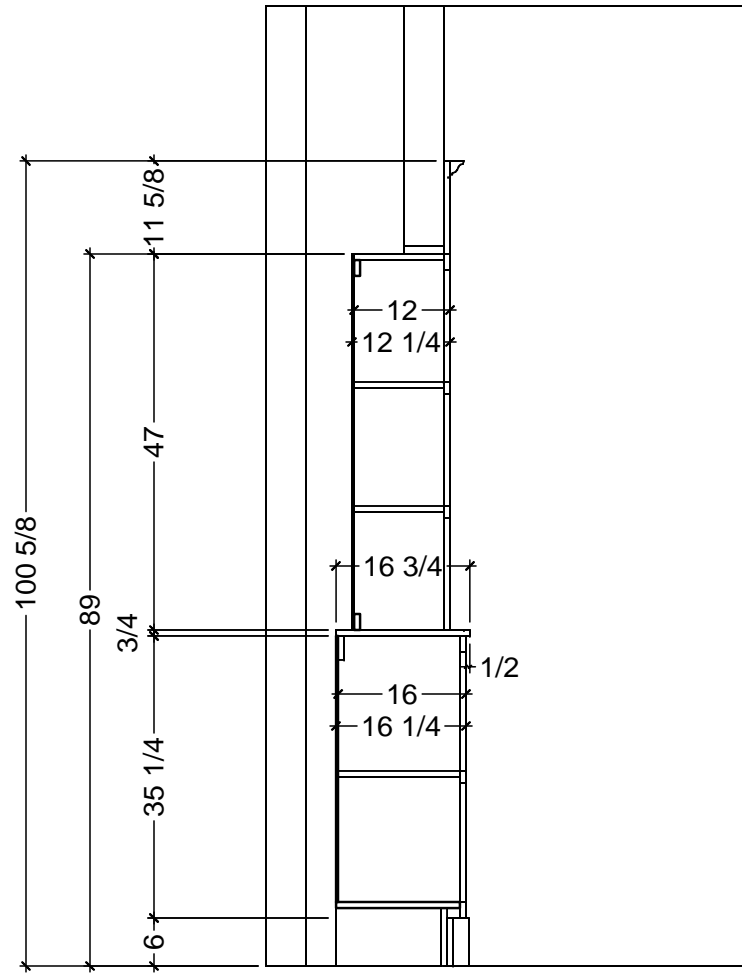
Classic Bath Designs, Inc.
 11544 Sheldon St., Sun Valley, CA 91352
 818.767.1144 fax: 818.767.1278



Cust: Dutton for Juarez		PO# SngFamDwell	Scale: As Noted	FIREPLACE	Fr.1
Approved _____	Job: FI-FL-FF_PG/PG:perSample_IntEB:PG	Size: A	Dr By: Brian	08/06/2013	



A CROSS-SECTIONAL VIEW - LEFT SIDE
SCALE: 1/2" = 1' 0"



B CROSS-SECTIONAL VIEW - RIGHT SIDE
SCALE: 1/2" = 1' 0"

Classic Bath Designs, Inc.
11544 Sheldon St., Sun Valley, CA 91352
818.767.1144 fax: 818.767.1278



Cust: Dutton for Juarez	PO# SngFamDwell	Scale: As Noted	FIREPLACE	X-Sect
Approved _____	Job: FI-FL-FF_PG/PG:perSample_IntEB:PG	Size: A	Dr By: Brian 08/06/2013	



Classic Bath Designs, Inc.
 11544 Sheldon St., Sun Valley, CA 91352
 818.767.1144 fax: 818.767.1278



Cust: Dutton for Juarez

PO# SngFamDwell

Scale: As Noted

FIREPLACE

Approved _____

Job: FI-FL-FF_PG/PG:perSample_IntEB:PG

Size: A

Dr By: Brian

08/06/2013

Rndr