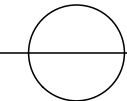


Picture provided displaying Intent


 NICHE CABINETRY FLOOR PLAN
 SCALE: 1/2" = 1' 0"

Classic Bath Designs, Inc.
 11544 Sheldon St., Sun Valley, CA 91352
 818.767.1144 fax: 818.767.1278



Cust: Dutton for Juarez

PO# SngFamDwelling

Scale: As Noted

NICHE

Approved _____

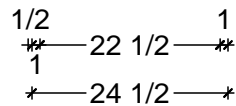
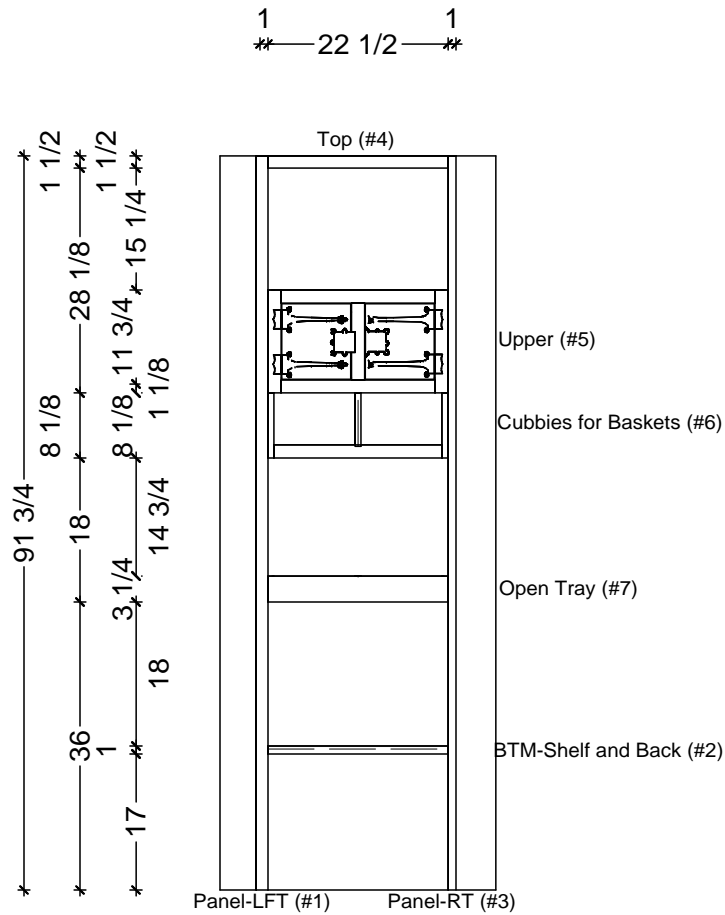
Job: FF-FI-FL_PG/PG:perSample_IntEB:PG

Size: A

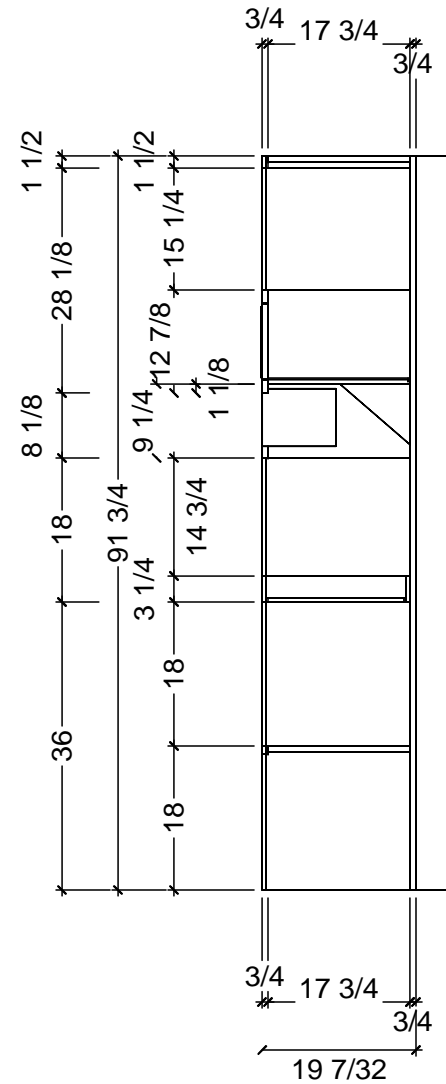
Dr By: Brian

07/31/2013

N.0



1 NICHE ELEVATION
 SCALE: 1/2" = 1' 0"



A CROSS-SECTIONAL DETAIL
 SCALE: 1/2" = 1' 0"

Classic Bath Designs, Inc.
 11544 Sheldon St., Sun Valley, CA 91352
 818.767.1144 fax: 818.767.1278



Cust: Dutton for Juarez

PO# SngFamDwelling

Scale: As Noted

NICHE

Approved _____

Job: FF-FI-FL_PG/PG:perSample_IntEB:PG

Size: A

Dr By: Brian

07/31/2013

N.1



Classic Bath Designs, Inc.
 11544 Sheldon St., Sun Valley, CA 91352
 818.767.1144 fax: 818.767.1278



Cust: Dutton for Juarez		PO# SngFamDwelling	Scale: As Noted	NICHE	Rndr
Approved _____	Job: FF-FI-FL_PG/PG:perSample_IntEB:PG	Size: A	Dr By: Brian	07/31/2013	