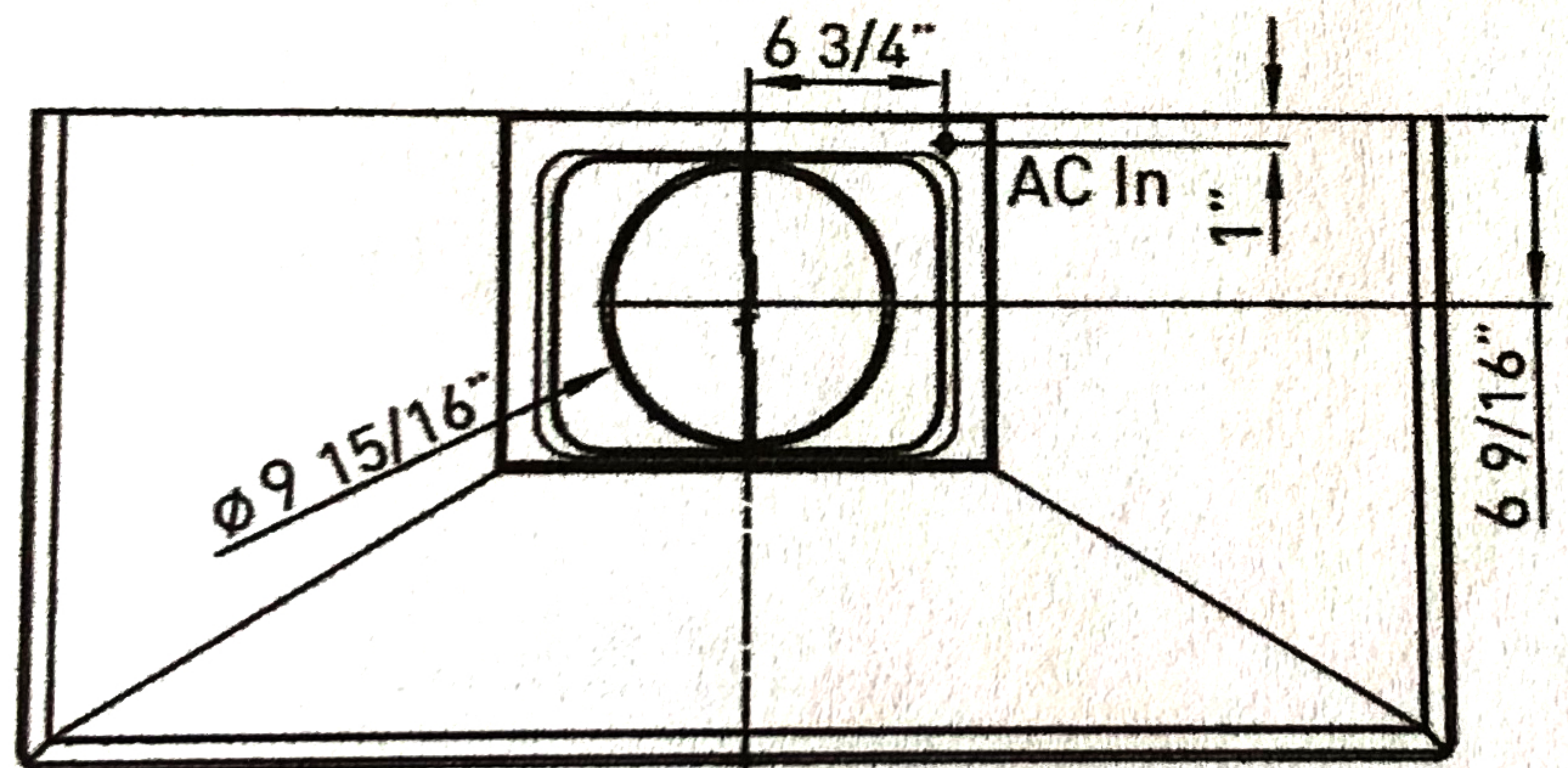


SIDE



C/L

TOP