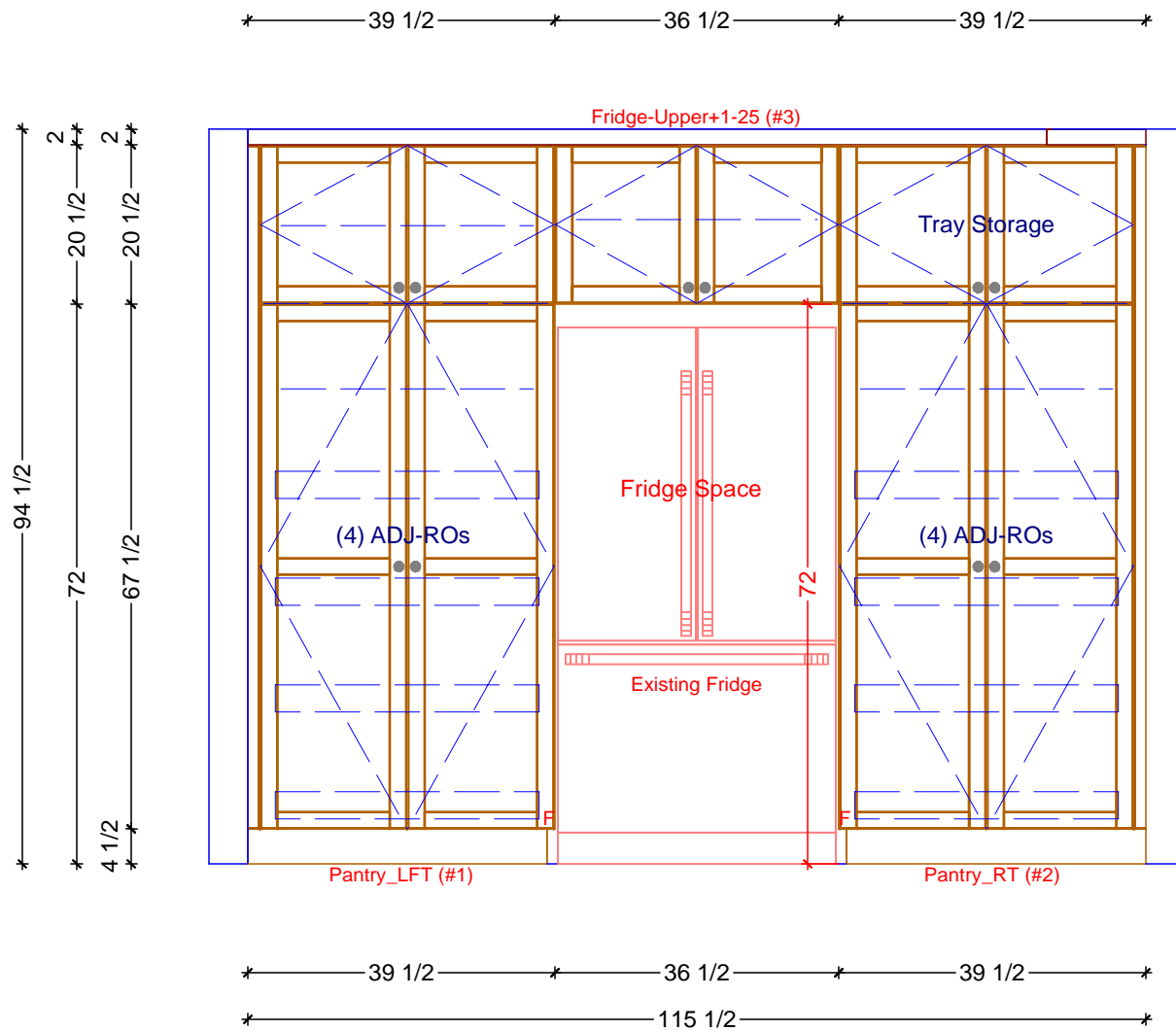


KITCHEN CABINETRY FLOOR PLAN
 SCALE: 3/8" = 1' 0"

Classic Bath Designs, Inc.
 11544 Sheldon St., Sun Valley, CA 91352
 818.767.1144 fax: 818.767.1278



Cust: Dutton for Maddison	PO# SnglFamDwell	Scale: As Noted	KITCHEN	K.0
Approved _____	Job: FL-S_PreFIN/PG:Stock-White/Blue_IntEB:PreFIN	Size: A	Dr By: Brian 04/14/2021	



1 KITCHEN ELEVATION - FRIDGE WALL
SCALE: 3/8" = 1' 0"

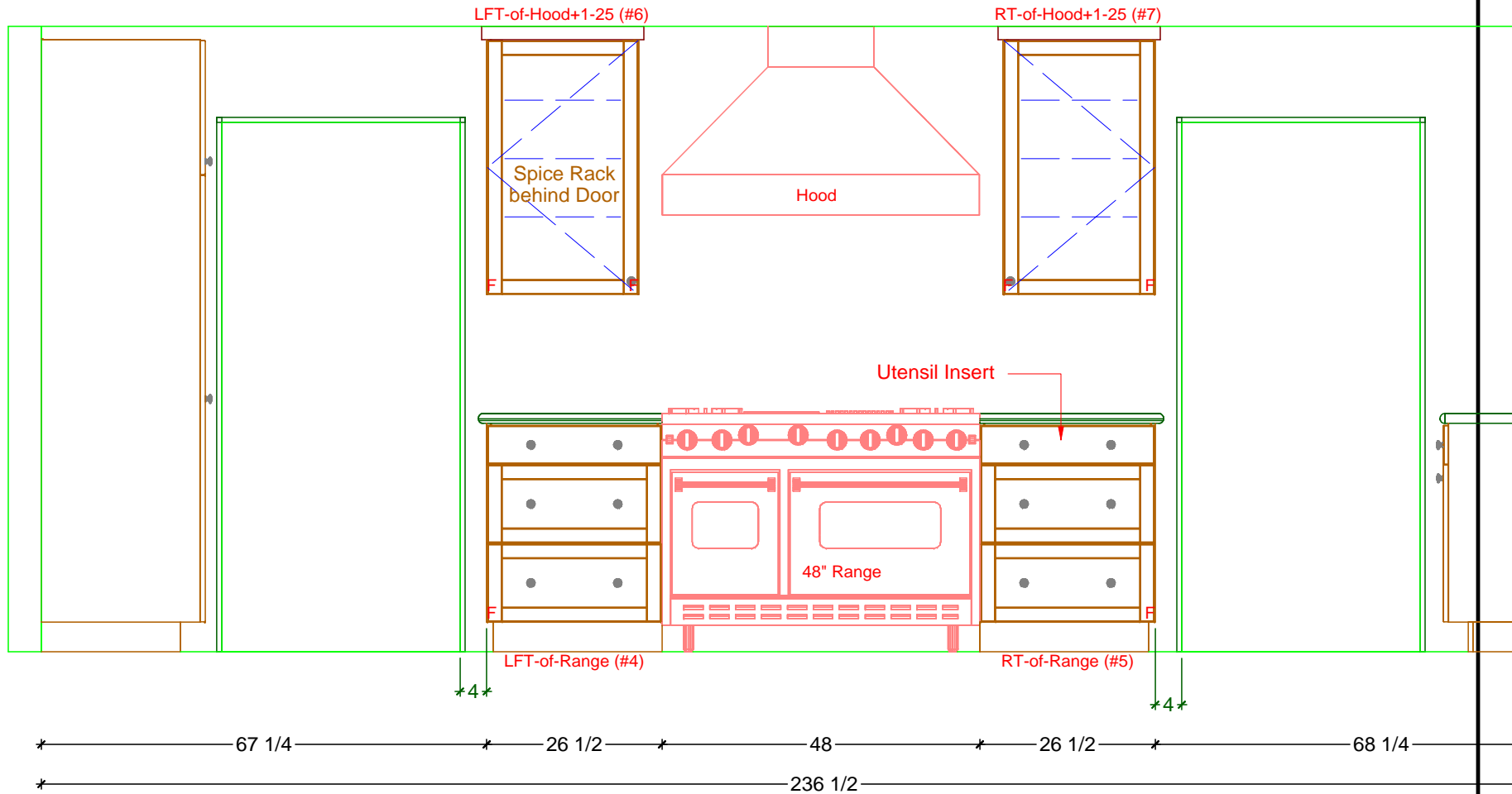
Classic Bath Designs, Inc.
11544 Sheldon St., Sun Valley, CA 91352
818.767.1144 fax: 818.767.1278



Cust: Dutton for Maddison	PO# SnglFamDwell	Scale: As Noted	KITCHEN	K.1
Approved _____	Job: FL-S_PreFIN/PG:Stock-White/Blue_IntEB:PreFIN	Size: A	Dr By: Brian 04/14/2021	

* 27 1/4 * 36 * 4 * 23 * 55 * 23 * 4 * 36 * 28

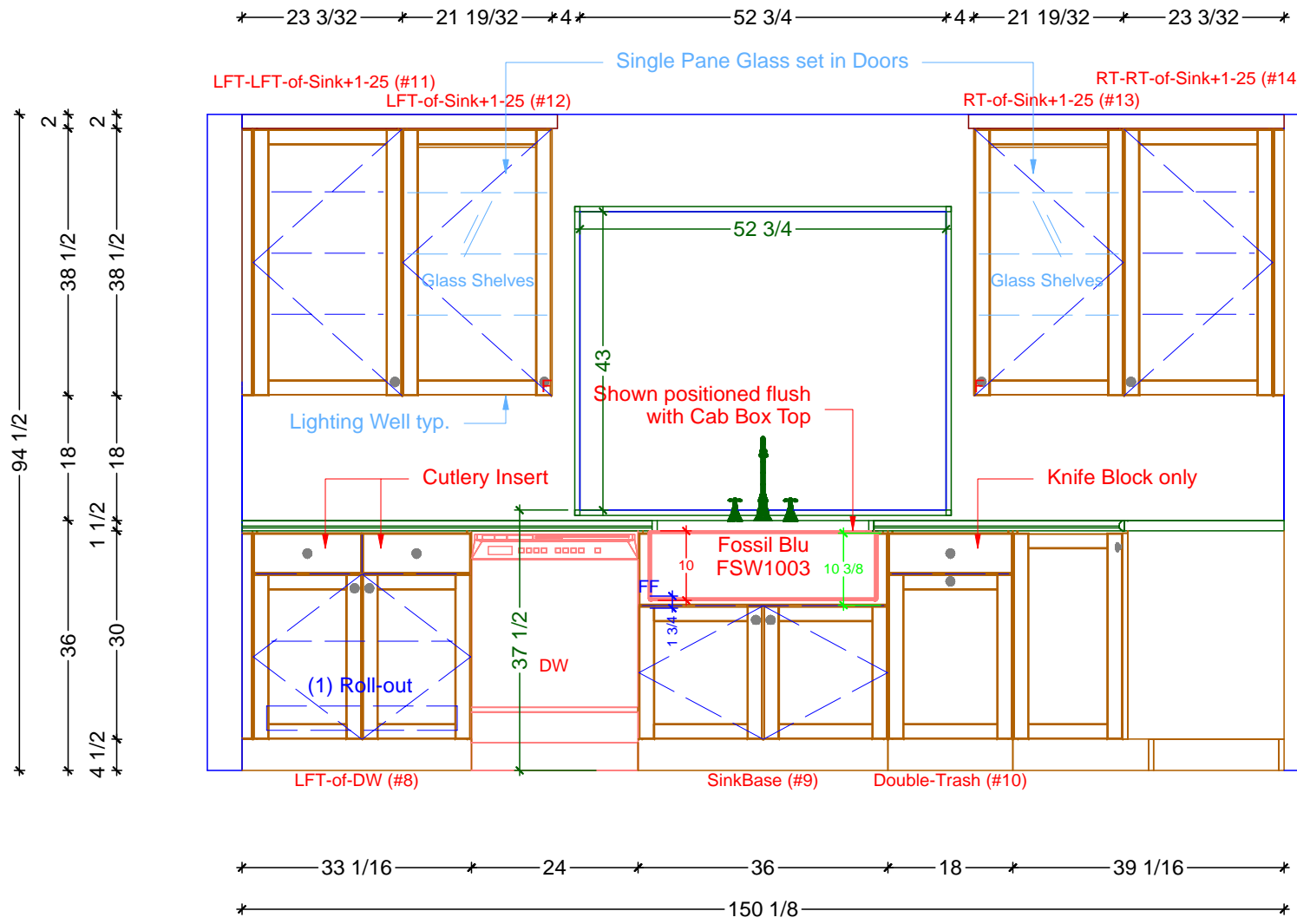
94 1/2
 2
 38 1/2
 2
 18
 1 1/2
 18
 36
 30
 4 1/2



1 KITCHEN ELEVATION - RANGE WALL
 SCALE: 3/8" = 1' 0"

Classic Bath Designs, Inc.
 11544 Sheldon St., Sun Valley, CA 91352
 818.767.1144 fax: 818.767.1278

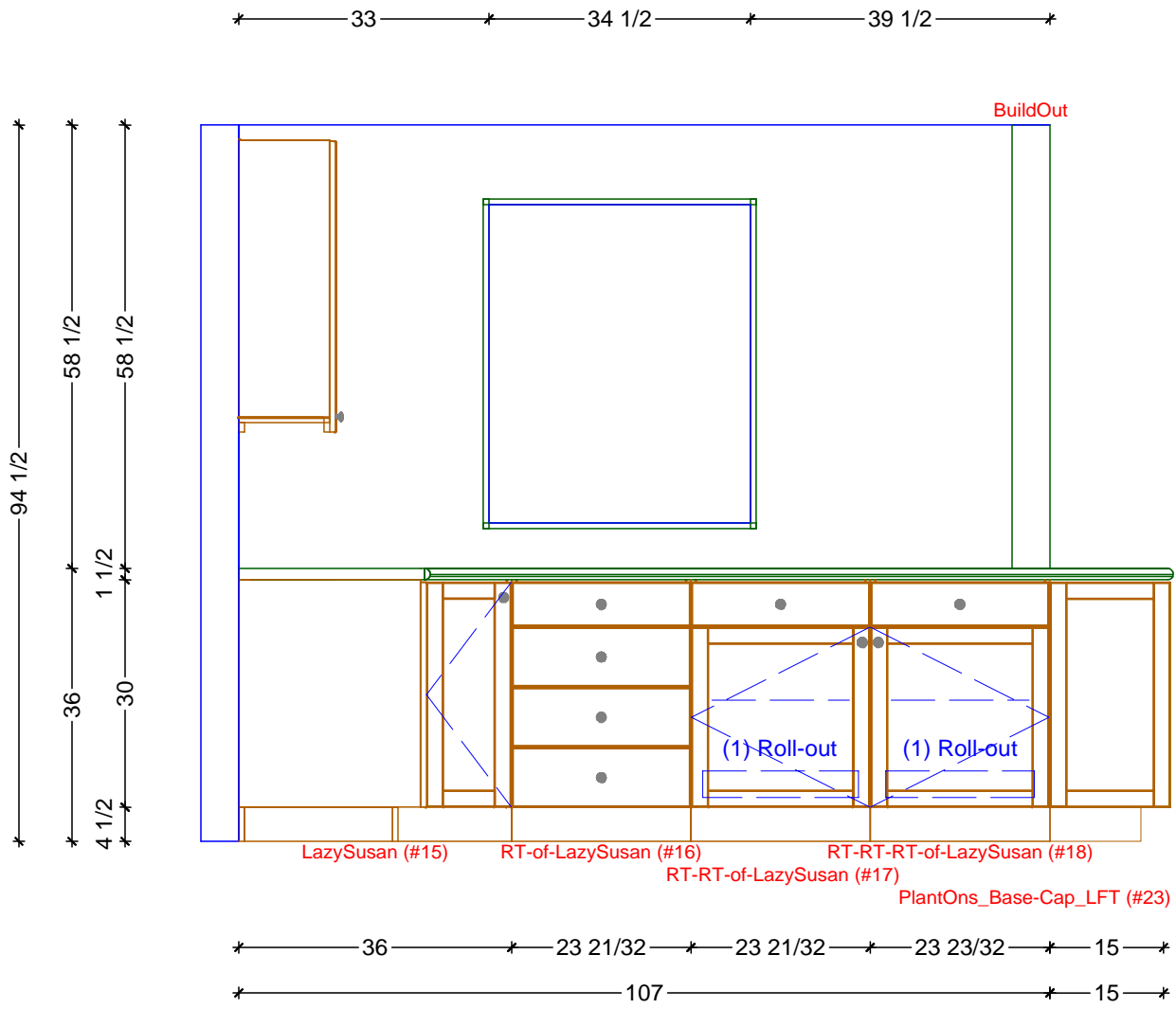
Cust: Dutton for Maddison	PO# SnglFamDwell	Scale: As Noted	KITCHEN	K.2
Approved _____	Job: FL-S_PreFIN/PG:Stock-White/Blue_IntEB:PreFIN	Size: A	Dr By: Brian 04/14/2021	



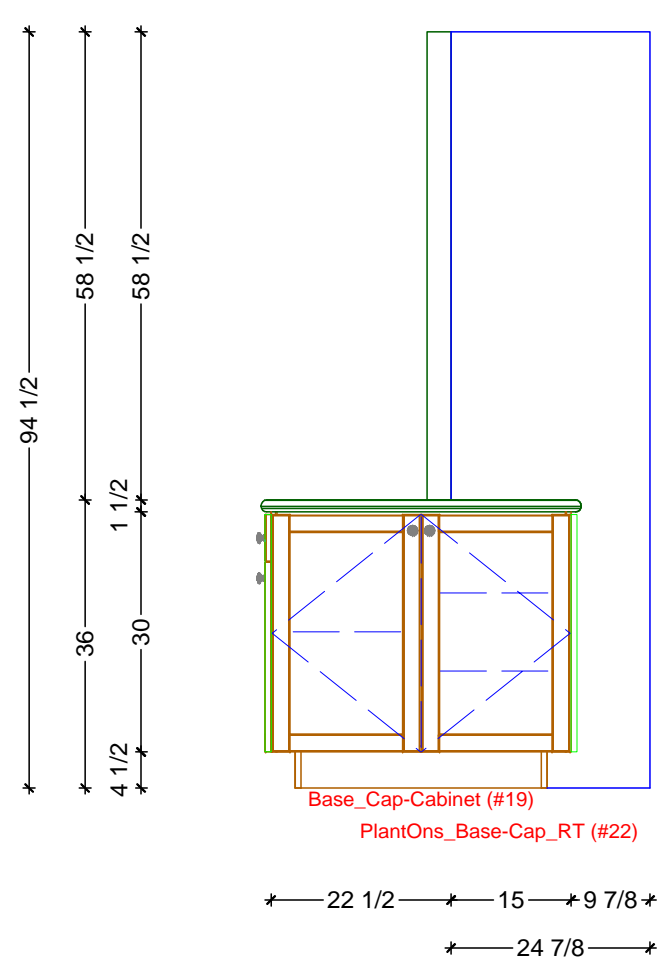
1 KITCHEN ELEVATION - SINK WALL
 SCALE: 3/8" = 1' 0"

Classic Bath Designs, Inc.
 11544 Sheldon St., Sun Valley, CA 91352
 818.767.1144 fax: 818.767.1278

Cust: Dutton for Maddison	PO# SnglFamDwell	Scale: As Noted	KITCHEN	K.3
Approved _____	Job: FL-S_PreFIN/PG:Stock-White/Blue_IntEB:PreFIN	Size: A	Dr By: Brian 04/14/2021	



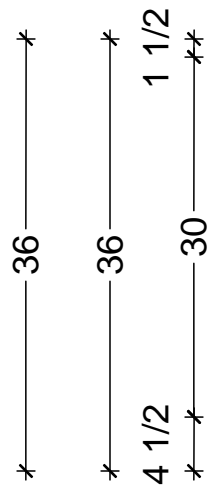
1 KITCHEN ELEVATION - LAZY SUSAN WALL
SCALE: 3/8" = 1' 0"



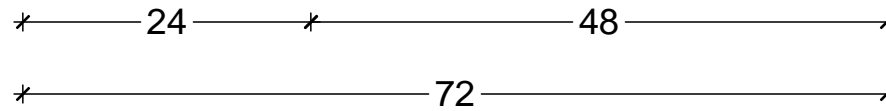
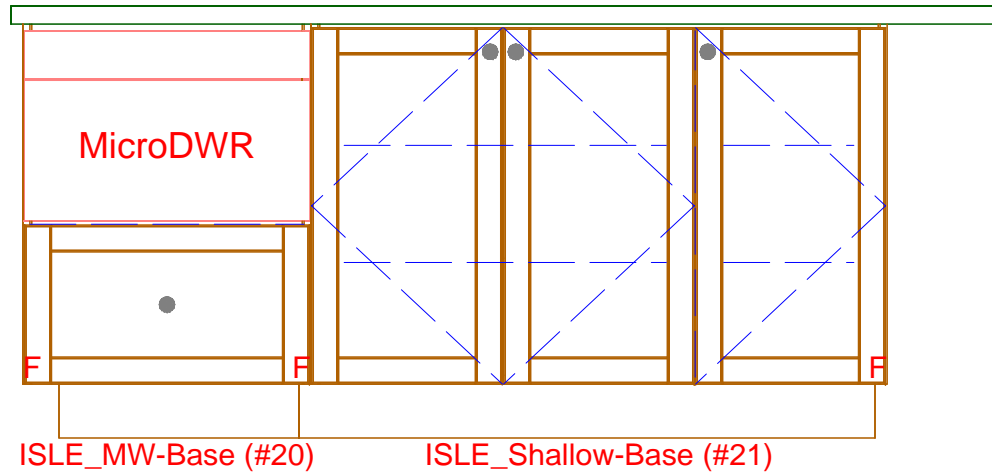
2 BASE CAP CABINET WALL
SCALE: 3/8" = 1' 0"

Classic Bath Designs, Inc.
11544 Sheldon St., Sun Valley, CA 91352
818.767.1144 fax: 818.767.1278

Cust: Dutton for Maddison	PO# SnglFamDwell	Scale: As Noted	KITCHEN	K.4
Approved _____	Job: FL-S_PreFIN/PG:Stock-White/Blue_IntEB:PreFIN	Size: A	Dr By: Brian 04/14/2021	



Butcher Block Counter Top



1 KITCHEN ELEVATION - ISLE FRONT
SCALE: 3/4" = 1' 0"

Classic Bath Designs, Inc.
11544 Sheldon St., Sun Valley, CA 91352
818.767.1144 fax: 818.767.1278



Cust: Dutton for Maddison

PO# SnglFamDwell

Scale: As Noted

KITCHEN

Approved _____

Job: FL-S_PreFIN/PG:Stock-White/Blue_IntEB:PreFIN

Size: A

Dr By: Brian

04/14/2021

K.5



Classic Bath Designs, Inc.
 11544 Sheldon St., Sun Valley, CA 91352
 818.767.1144 fax: 818.767.1278



Cust: Dutton for Maddison	PO# SnglFamDwell	Scale: As Noted	KITCHEN	Rndr
Approved _____	Job: FL-S_PreFIN/PG:Stock-White/Blue_IntEB:PreFIN	Size: A	Dr By: Brian	



Classic Bath Designs, Inc.
 11544 Sheldon St., Sun Valley, CA 91352
 818.767.1144 fax: 818.767.1278



Cust: Dutton for Maddison	PO# SnglFamDwell	Scale: As Noted	KITCHEN	Rndr
Approved _____	Job: FL-S_PreFIN/PG:Stock-White/Blue_IntEB:PreFIN	Size: A	Dr By: Brian	



Classic Bath Designs, Inc.
 11544 Sheldon St., Sun Valley, CA 91352
 818.767.1144 fax: 818.767.1278



Cust: Dutton for Maddison

PO# SnglFamDwell

Scale: As Noted

KITCHEN

Approved _____

Job: FL-S_PreFIN/PG:Stock-White/Blue_IntEB:PreFIN

Size: A

Dr By: Brian

04/14/2021

Rndr



Classic Bath Designs, Inc.
 11544 Sheldon St., Sun Valley, CA 91352
 818.767.1144 fax: 818.767.1278



Cust: Dutton for Maddison	PO# SnglFamDwell	Scale: As Noted	KITCHEN	Rndr
Approved _____	Job: FL-S_PreFIN/PG:Stock-White/Blue_IntEB:PreFIN	Size: A	Dr By: Brian	