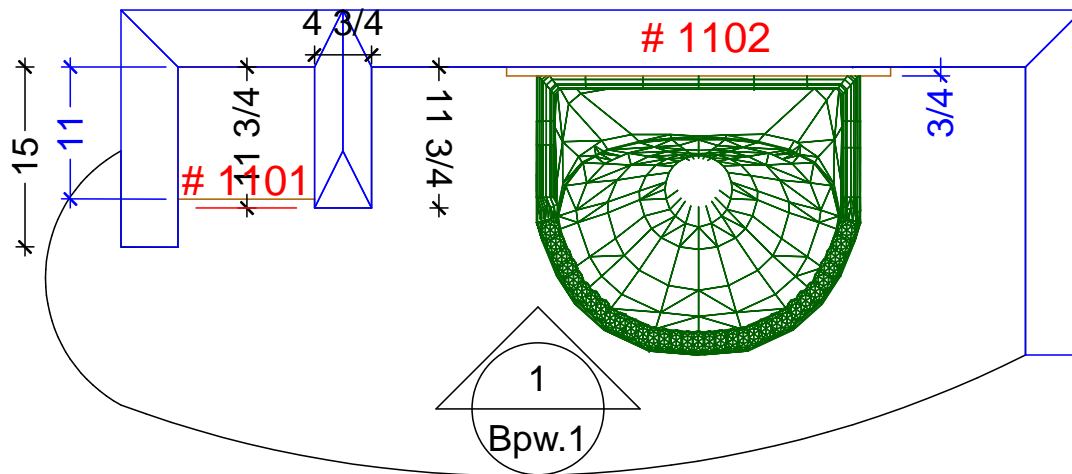
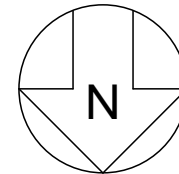


* 11 3/8 * * 54 1/2 *
 * 11 3/8 * * 11 1/4 * * 32 * * 11 1/4 *



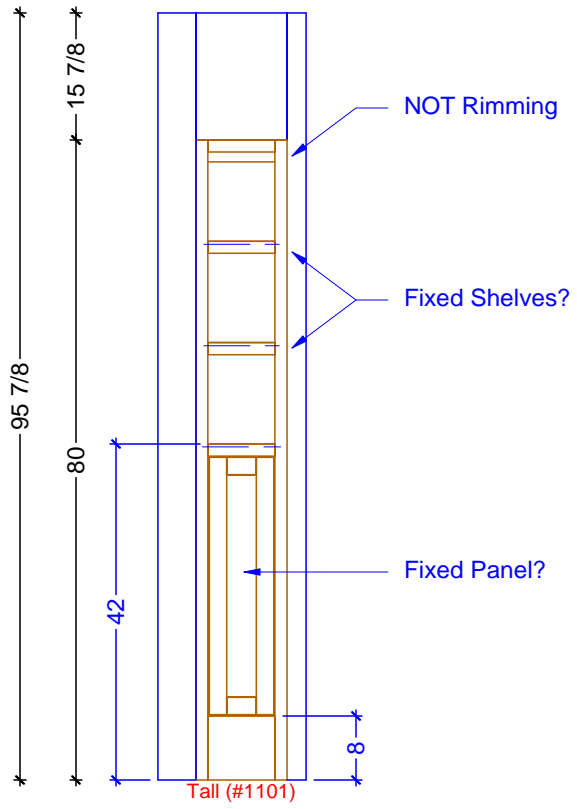
* 24 *

Classic Bath Designs, Inc.
 11544 Sheldon St., Sun Valley, CA 91352
 818.767.1144 fax: 818.767.1278



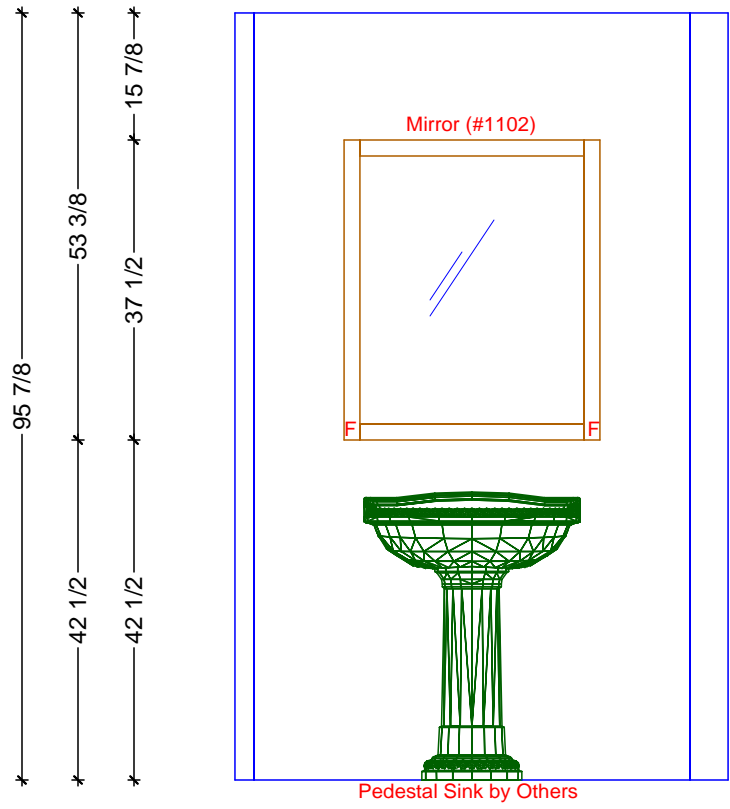
Cust: Dutton Construction for Taylor		PO# BATHs	Scale: As Noted	POWDER
Approved _____	Job: Dutton--Taylor_FI-S_3-25_1-5_PG/PG_IntEB:PG	Size: A	Dr By: Brian	11/05/2015

Bpw.0



* 11 3/8 *
* 11 3/8 *

* 11 1/4 * — 32 — * 11 1/4 *



1 BATH_POWDER ELEVATION - SOUTH
SCALE: 1/2" = 1' 0"

Classic Bath Designs, Inc.
11544 Sheldon St., Sun Valley, CA 91352
818.767.1144 fax: 818.767.1278



Cust: Dutton Construction for Taylor		PO# BATHs	Scale: As Noted	POWDER
Approved _____	Job: Dutton--Taylor_FI-S_3-25_1-5_PG/PG_IntEB:PG	Size: A	Dr By: Brian	11/05/2015

Bpw.1



Classic Bath Designs, Inc.
 11544 Sheldon St., Sun Valley, CA 91352
 818.767.1144 fax: 818.767.1278



Cust: Dutton Construction for Taylor

PO# BATHs

Scale: As Noted

POWDER

Approved _____

Job: Dutton--Taylor_FI-S_3-25_1-5_PG/PG_IntEB:PG

Size: A

Dr By: Brian

11/05/2015

Rndr