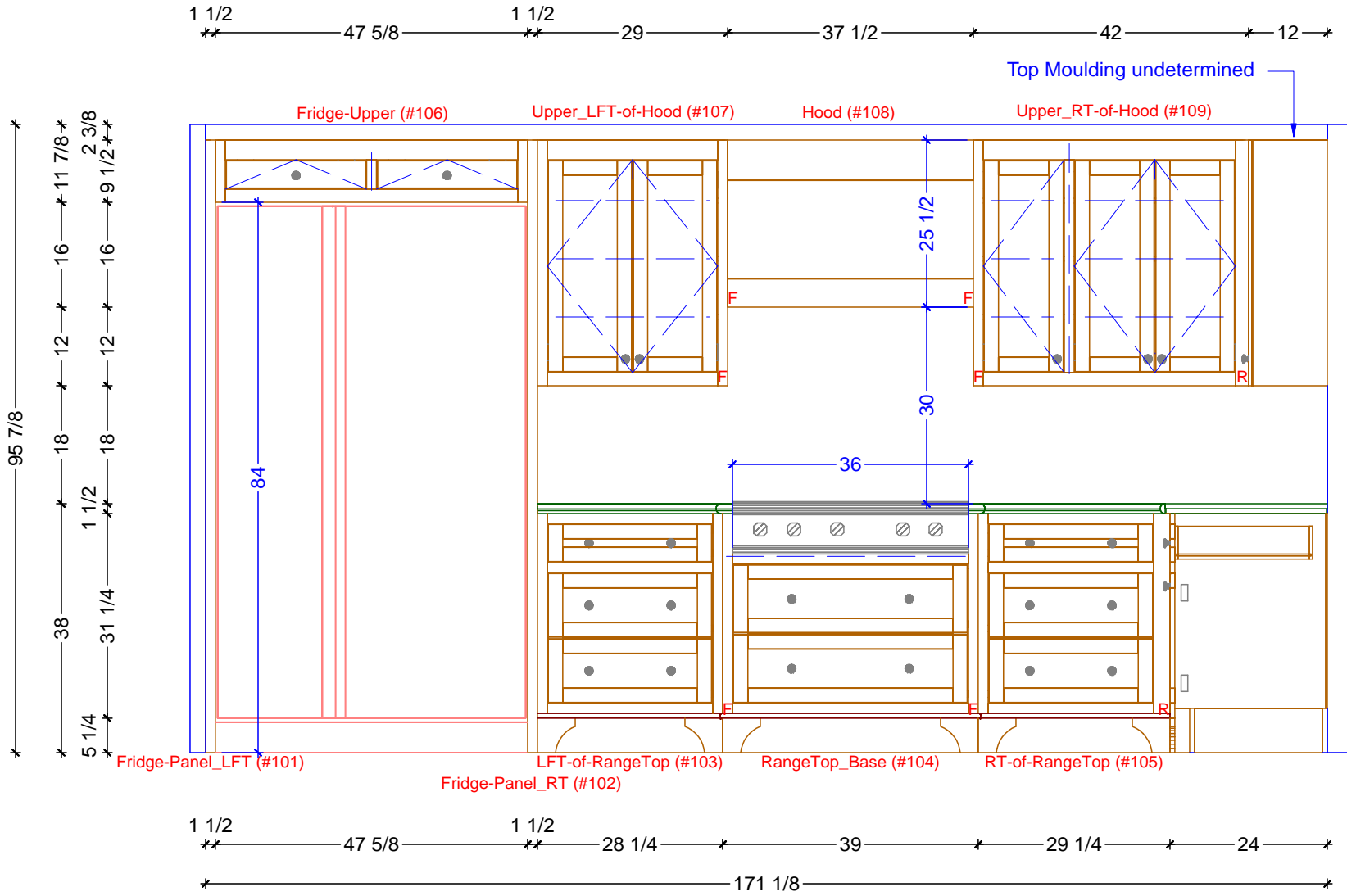


KITCHEN FLOOR PLAN  
SCALE: 3/8" = 1' 0"

**Classic Bath Designs, Inc.**  
11544 Sheldon St., Sun Valley, CA 91352  
818.767.1144 fax: 818.767.1278

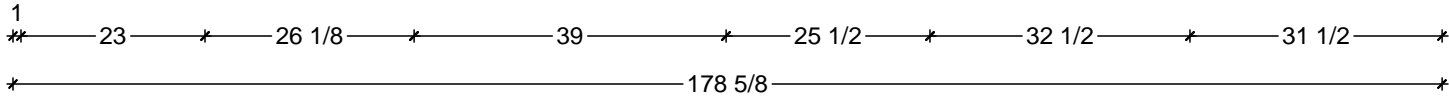
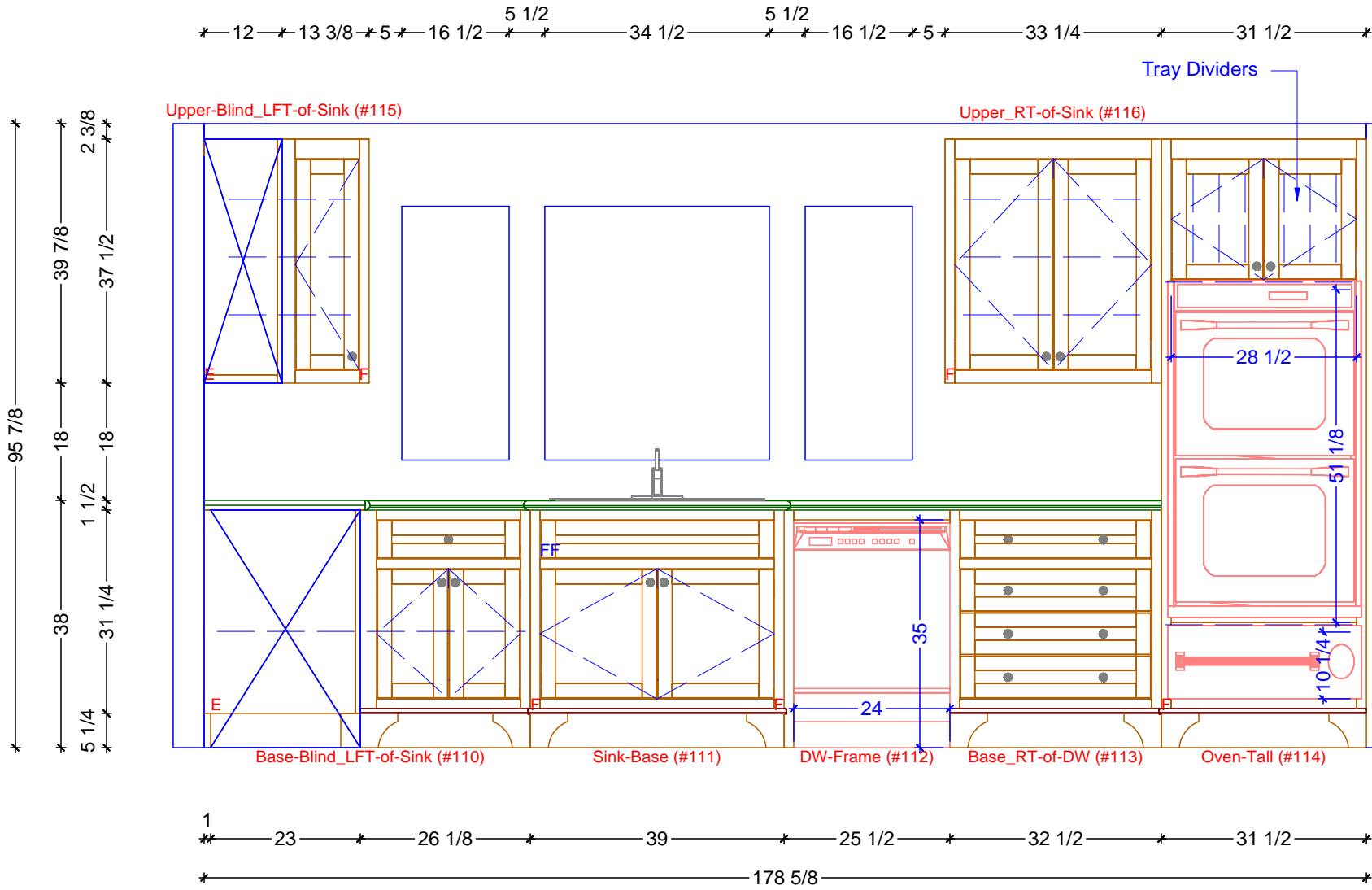
Cust: Dutton for Taylor		PO# KITCHEN	Scale: As Noted	K.0
Approved _____	Job: Dutt--Tylr_FI-S_6_1-5_StG/Aldr:perSample_IntEB:StG	Size: A	Dr By: Brian 11/09/2015	



1 KITCHEN ELEVATION - SOUTH  
SCALE: 1/2" = 1' 0"

**Classic Bath Designs, Inc.**  
11544 Sheldon St., Sun Valley, CA 91352  
818.767.1144 fax: 818.767.1278

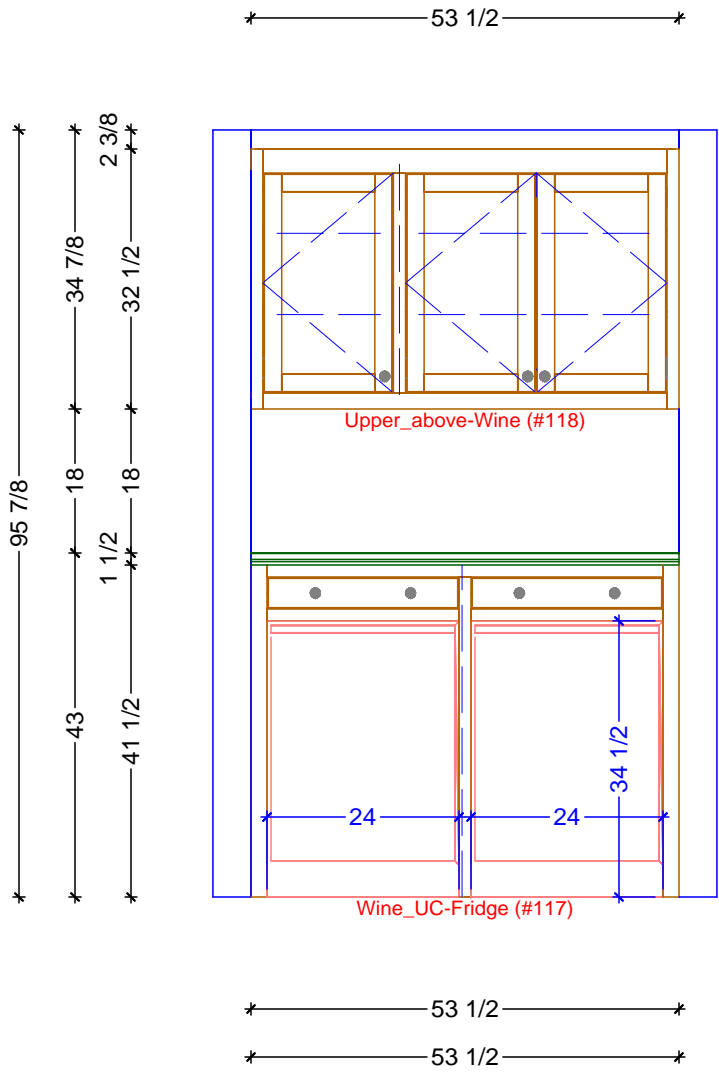
Cust: Dutton for Taylor	PO# KITCHEN	Scale: As Noted	K.1
Approved _____	Job: Dutt--Tylr_FI-S_6_1-5_StG/Aldr:perSample_IntEB:StG	Size: A	
		Dr By: Brian	11/09/2015



**1** KITCHEN ELEVATION - WEST  
 SCALE: 1/2" = 1' 0"

**Classic Bath Designs, Inc.**  
 11544 Sheldon St., Sun Valley, CA 91352  
 818.767.1144 fax: 818.767.1278

Cust: Dutton for Taylor	PO# KITCHEN	Scale: As Noted	<b>K.2</b>
Approved _____	Job: Dutt--Tylr_FI-S_6_1-5_StG/Aldr:perSample_IntEB:StG	Size: A Dr By: Brian 11/09/2015	



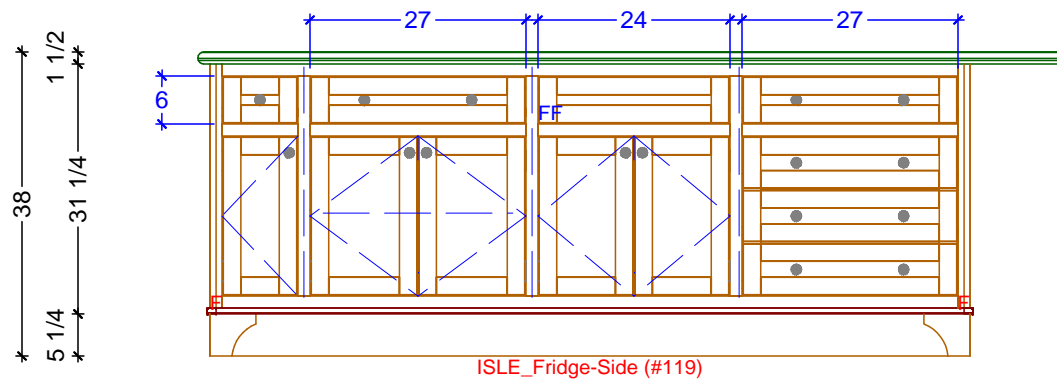
1 WINE AND UC-FRIDGE ELEVATION  
 SCALE: 1/2" = 1' 0"

**Classic Bath Designs, Inc.**  
 11544 Sheldon St., Sun Valley, CA 91352  
 818.767.1144 fax: 818.767.1278



Cust: Dutton for Taylor	PO# KITCHEN	Scale: As Noted	
Approved _____	Job: Dutt--Tylr_FI-S_6_1-5_StG/Aldr:perSample_IntEB:StG	Size: A	Dr By: Brian 11/09/2015

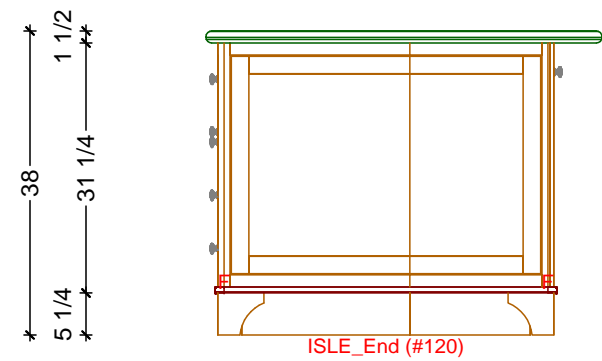
**K.3**



ISLE\_Fridge-Side (#119)

95

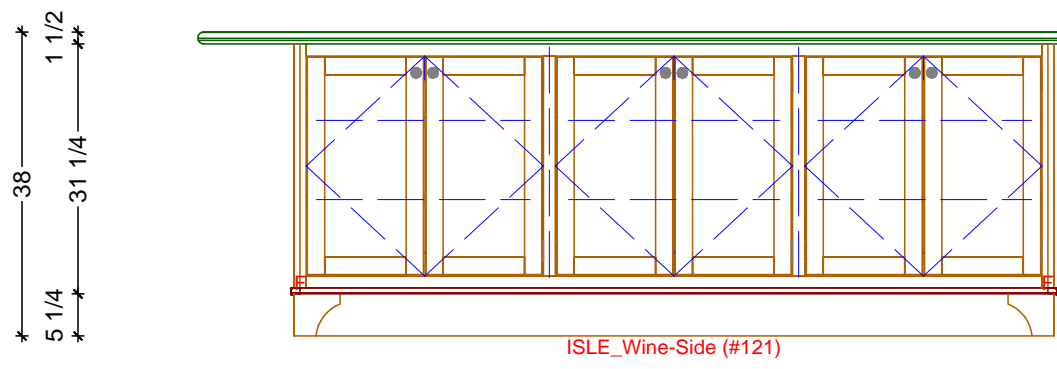
1 ISLE ELEVATION  
SCALE: 1/2" = 1' 0"



ISLE\_End (#120)

42

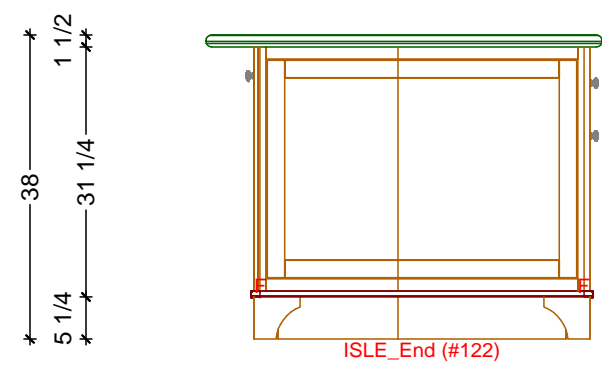
2 ISLE ELEVATION  
SCALE: 1/2" = 1' 0"



ISLE\_Wine-Side (#121)

95

3 ISLE ELEVATION  
SCALE: 1/2" = 1' 0"



ISLE\_End (#122)

42

4 ISLE ELEVATION  
SCALE: 1/2" = 1' 0"

**Classic Bath Designs, Inc.**  
11544 Sheldon St., Sun Valley, CA 91352  
818.767.1144 fax: 818.767.1278



Cust: Dutton for Taylor	PO# KITCHEN	Scale: As Noted		
Approved _____	Job: Dutt--Tylr_FI-S_6_1-5_StG/Aldr:perSample_IntEB:StG	Size: A	Dr By: Brian	11/09/2015
				<b>K.4</b>



**Classic Bath Designs, Inc.**  
 11544 Sheldon St., Sun Valley, CA 91352  
 818.767.1144 fax: 818.767.1278



Cust: Dutton for Taylor	PO# KITCHEN	Scale: As Noted	<b>Rndr</b>	
Approved _____	Job: Dutt--Tylr_FI-S_6_1-5_StG/Aldr:perSample_IntEB:StG	Size: A		



**Classic Bath Designs, Inc.**  
 11544 Sheldon St., Sun Valley, CA 91352  
 818.767.1144 fax: 818.767.1278



Cust: Dutton for Taylor	PO# KITCHEN	Scale: As Noted		
Approved _____	Job: Dutt--Tylr_FI-S_6_1-5_StG/Aldr:perSample_IntEB:StG	Size: A	Dr By: Brian	11/09/2015

Rndr



**Classic Bath Designs, Inc.**  
 11544 Sheldon St., Sun Valley, CA 91352  
 818.767.1144 fax: 818.767.1278



Cust: Dutton for Taylor	PO# KITCHEN	Scale: As Noted	<b>Rndr</b>	
Approved _____	Job: Dutt--Tylr_FI-S_6_1-5_StG/Aldr:perSample_IntEB:StG	<b>Size: A</b>		





**Classic Bath Designs, Inc.**  
 11544 Sheldon St., Sun Valley, CA 91352  
 818.767.1144 fax: 818.767.1278



Cust: Dutton for Taylor	PO# KITCHEN	Scale: As Noted			
Approved _____	Job: Dutt--Tylr_FI-S_6_1-5_StG/Aldr:perSample_IntEB:StG	Size: A	Dr By: Brian	11/09/2015	<b>Rndr</b>