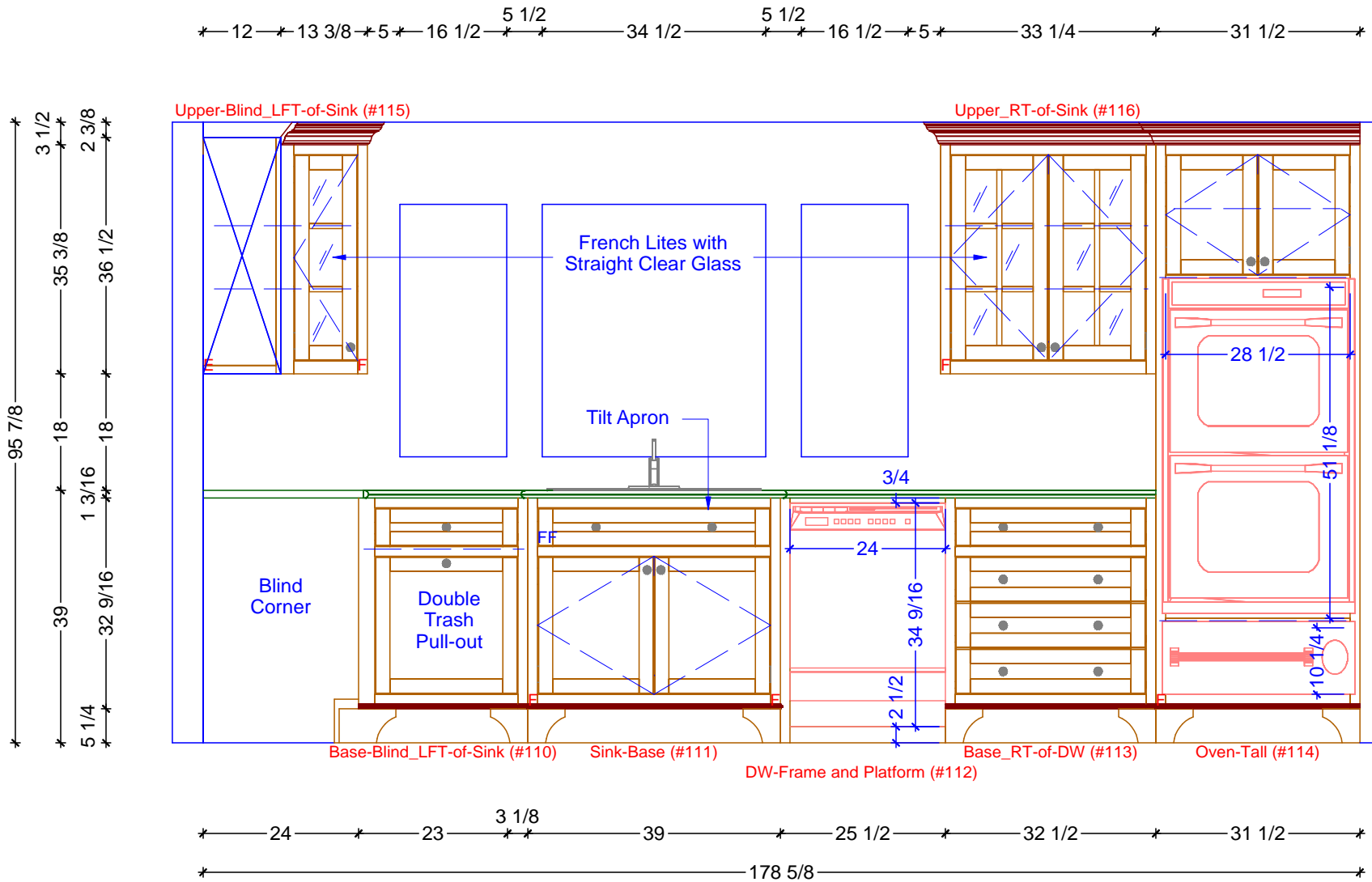


**1** KITCHEN ELEVATION - SOUTH  
 SCALE: 1/2" = 1' 0"

**Classic Bath Designs, Inc.**  
 11544 Sheldon St., Sun Valley, CA 91352  
 818.767.1144 fax: 818.767.1278

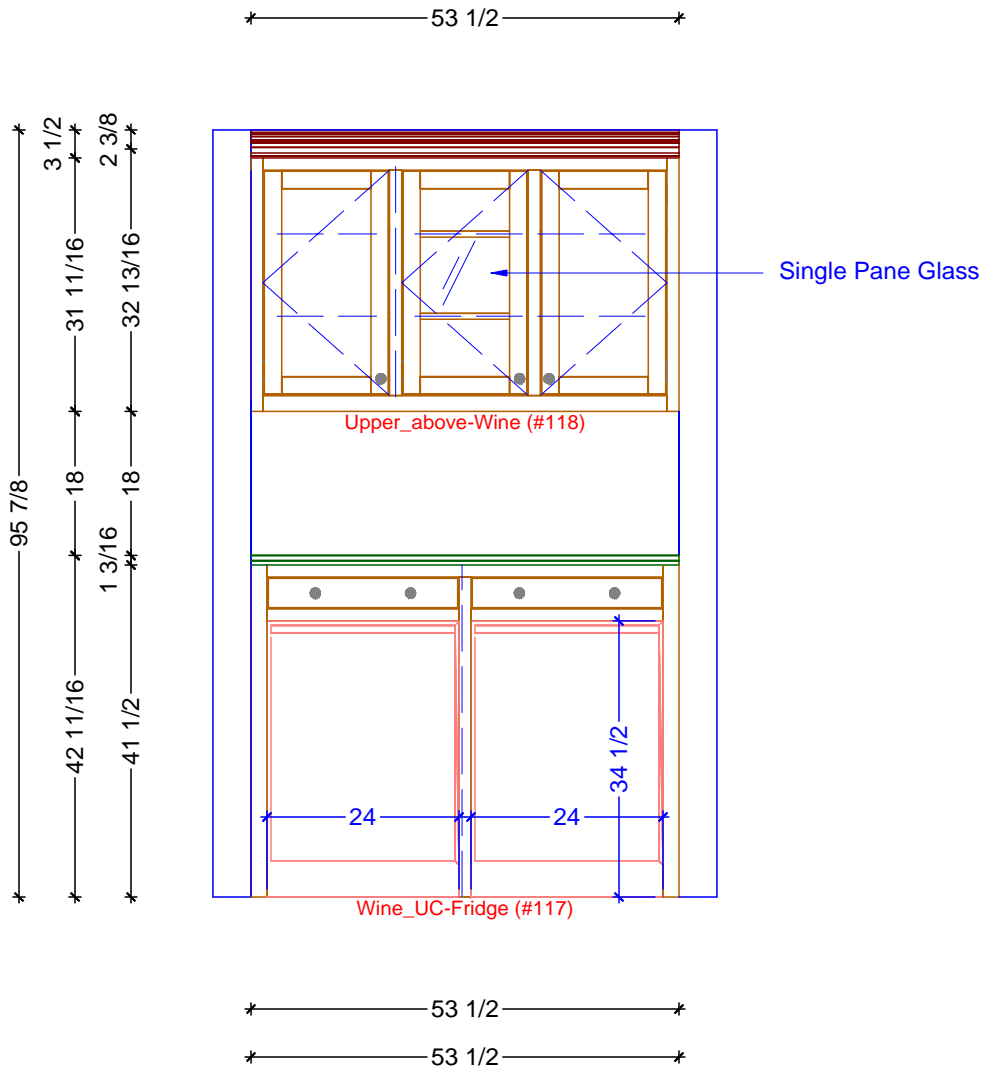
Cust: Dutton for Taylor	PO# KITCHEN	Scale: As Noted	K.1
Approved _____	Job: Dutt--Tylr_FI-S-Bead_5-25_1-5_PG/PG:perSample_IntEB:PG	Size: A	
		Dr By: Brian	12/14/2015



**1** KITCHEN ELEVATION - WEST  
 SCALE: 1/2" = 1' 0"

**Classic Bath Designs, Inc.**  
 11544 Sheldon St., Sun Valley, CA 91352  
 818.767.1144 fax: 818.767.1278

Cust: Dutton for Taylor	PO# KITCHEN	Scale: As Noted	<b>K.2</b>
Approved _____	Job: Dutt--Tylr_FI-S-Bead_5-25_1-5_PG/Pg:perSample_IntEB:PG	Size: A	
		Dr By: Brian	12/14/2015



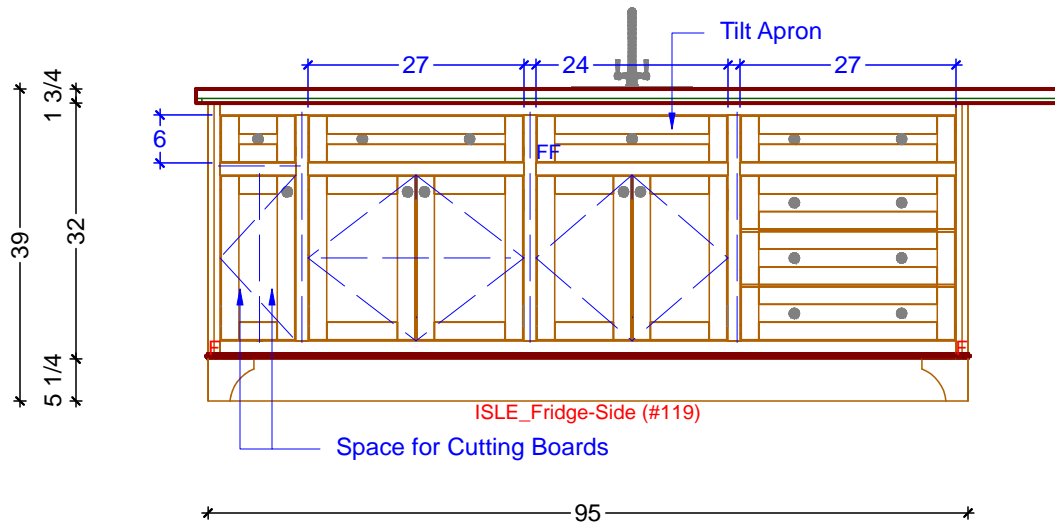
1 WINE AND UC-FRIDGE ELEVATION  
 SCALE: 1/2" = 1' 0"

**Classic Bath Designs, Inc.**  
 11544 Sheldon St., Sun Valley, CA 91352  
 818.767.1144 fax: 818.767.1278

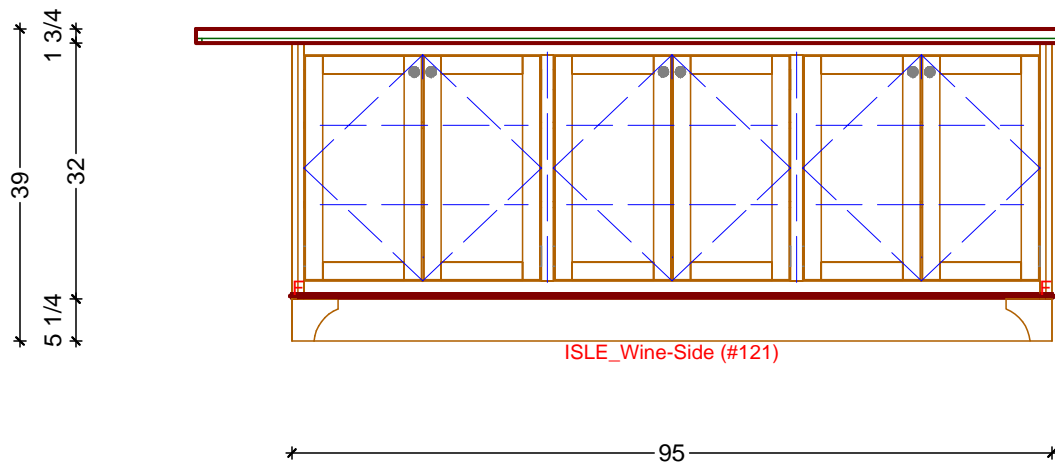


Cust: Dutton for Taylor	PO# KITCHEN	Scale: As Noted	
Approved _____	Job: Dutt--Tylr_FI-S-Bead_5-25_1-5_PG/PG:perSample_IntEB:PC	Size: A	Dr By: Brian 12/14/2015

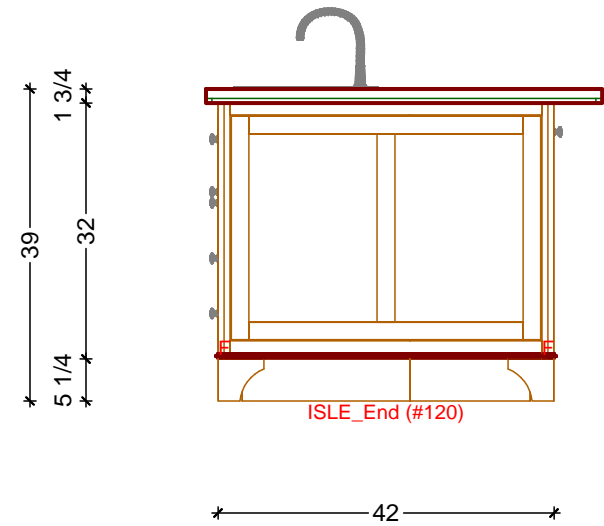
**K.3**



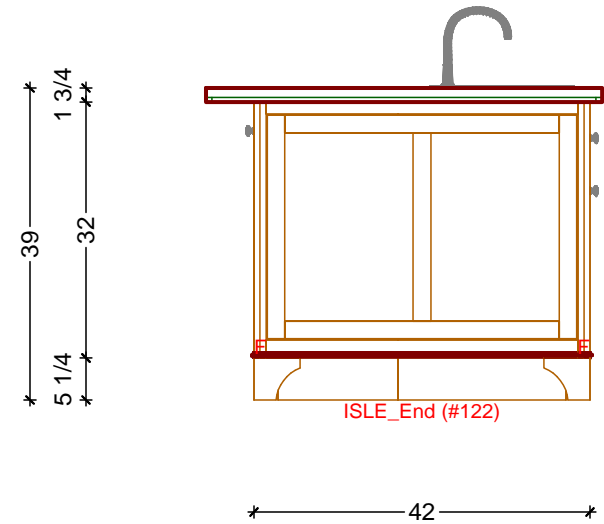
1 ISLE ELEVATION  
SCALE: 1/2" = 1' 0"



3 ISLE ELEVATION  
SCALE: 1/2" = 1' 0"



2 ISLE ELEVATION  
SCALE: 1/2" = 1' 0"



4 ISLE ELEVATION  
SCALE: 1/2" = 1' 0"

**Classic Bath Designs, Inc.**  
11544 Sheldon St., Sun Valley, CA 91352  
818.767.1144 fax: 818.767.1278



Cust: Dutton for Taylor	PO# KITCHEN	Scale: As Noted	K.4
Approved _____	Job: Dutt--Tylr_FI-S-Bead_5-25_1-5_PG/Pg:perSample_IntEB:PG	Size: A	
		Dr By: Brian	12/14/2015



**Classic Bath Designs, Inc.**  
 11544 Sheldon St., Sun Valley, CA 91352  
 818.767.1144 fax: 818.767.1278



Cust: Dutton for Taylor	PO# KITCHEN	Scale: As Noted		<b>Rndr</b>
Approved _____	Job: Dutt--Tylr_FI-S-Bead_5-25_1-5_PG/PG:perSample_IntEB:PC	Size: A	Dr By: Brian	



**Classic Bath Designs, Inc.**  
 11544 Sheldon St., Sun Valley, CA 91352  
 818.767.1144 fax: 818.767.1278



Cust: Dutton for Taylor	PO# KITCHEN	Scale: As Noted		Rndr
Approved _____	Job: Dutt--Tylr_FI-S-Bead_5-25_1-5_PG/PG:perSample_IntEB:PG	Size: A	Dr By: Brian	



**Classic Bath Designs, Inc.**  
 11544 Sheldon St., Sun Valley, CA 91352  
 818.767.1144 fax: 818.767.1278



Cust: Dutton for Taylor	PO# KITCHEN	Scale: As Noted		<b>Rndr</b>
Approved _____	Job: Dutt--Tylr_FI-S-Bead_5-25_1-5_PG/Pg:perSample_IntEB	Size: A	Dr By: Brian	