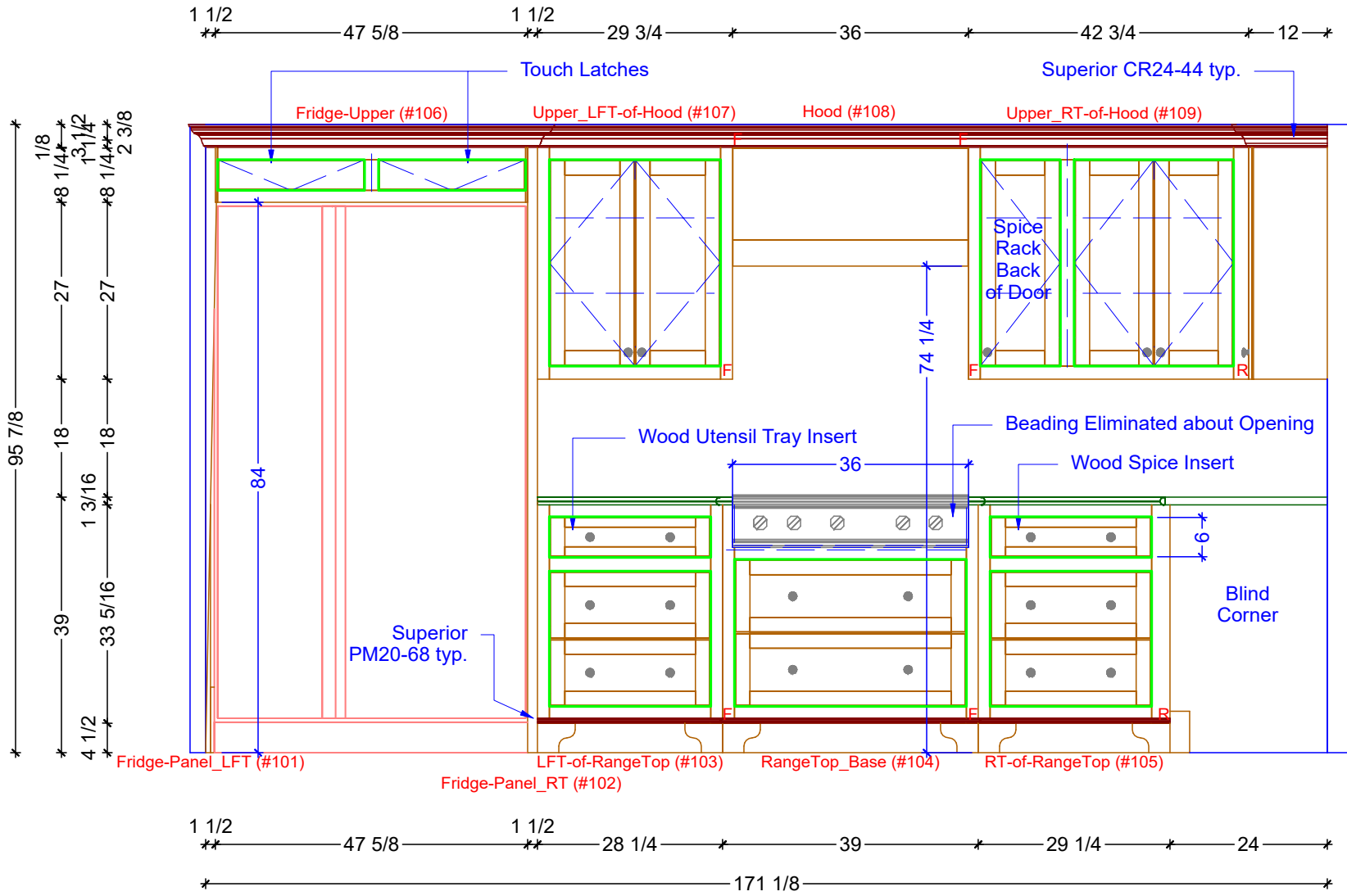
 **KITCHEN FLOOR PLAN**
 SCALE: 3/8" = 1' 0"

Classic Bath Designs, Inc.
 11544 Sheldon St., Sun Valley, CA 91352
 818.767.1144 fax: 818.767.1278



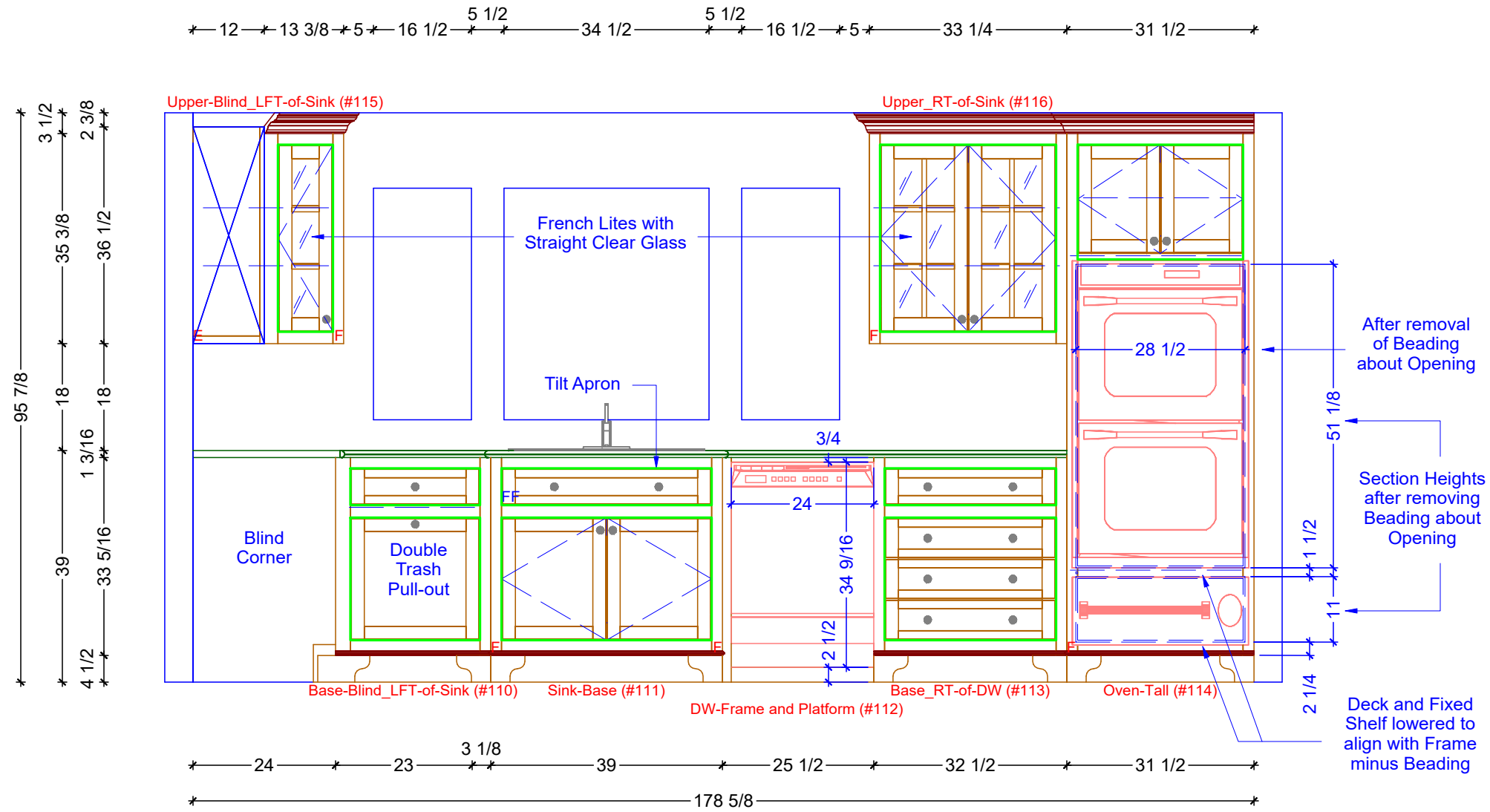
Cust: Dutton for Taylor	PO# KITCHEN	Scale: As Noted		K.0
Approved _____	Job: Dutt--Tylr_Flb-S_4-5_1-8125_PG/PG:perSample_IntEB:FG Size: A	Dr By: Brian	01/20/2016	



1 KITCHEN ELEVATION - SOUTH
 SCALE: 1/2" = 1'0"

Classic Bath Designs, Inc.
 11544 Sheldon St., Sun Valley, CA 91352
 818.767.1144 fax: 818.767.1278

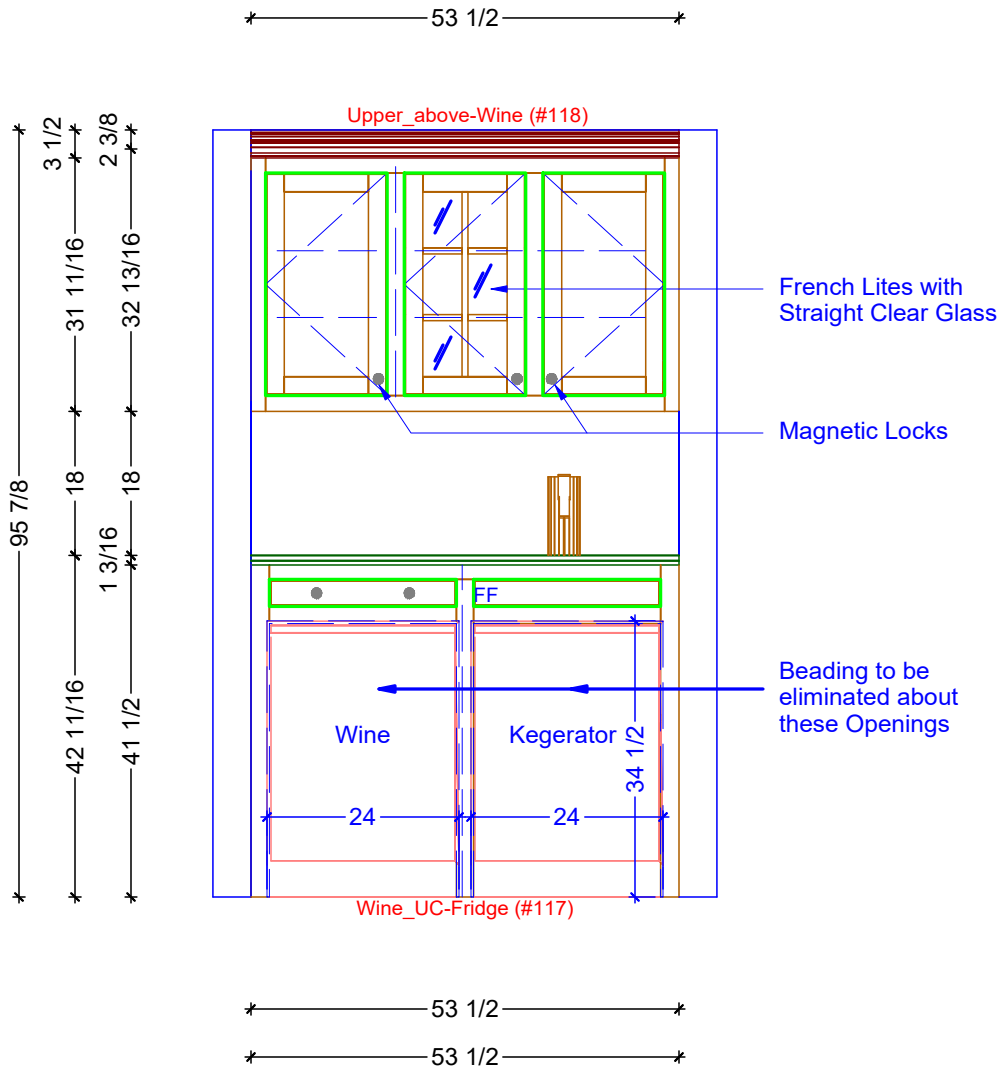
Cust: Dutton for Taylor	PO# KITCHEN	Scale: As Noted	K.1
Approved _____	Job: Dutt--Tylr_Flb-S_4-5_1-8125_PG/PG:perSample_IntEB:FG	Size: A	
		Dr By: Brian	01/20/2016



1 KITCHEN ELEVATION - WEST
SCALE: 1/2" = 1' 0"

Classic Bath Designs, Inc.
 11544 Sheldon St., Sun Valley, CA 91352
 818.767.1144 fax: 818.767.1278

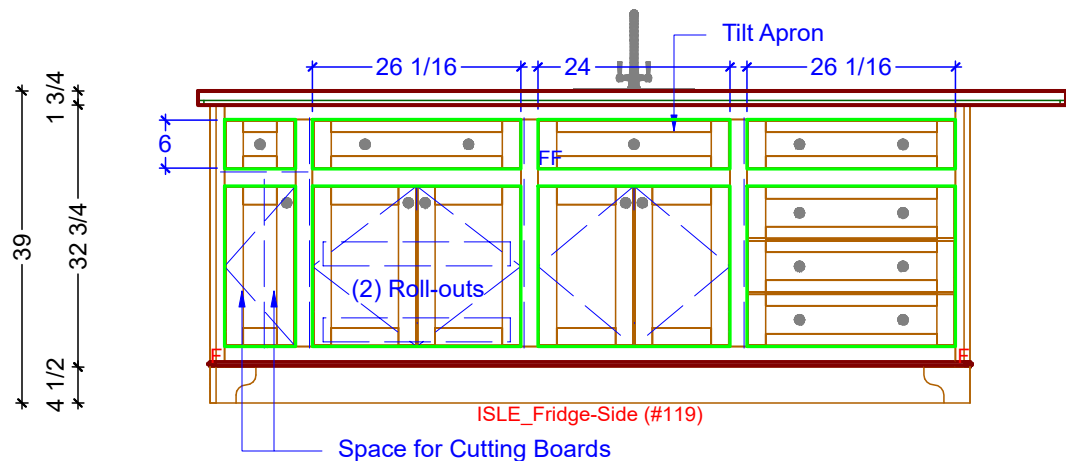
Cust: Dutton for Taylor	PO# KITCHEN	Scale: As Noted	K.2
Approved _____	Job: Dutt--Tylr_Flb-S_4-5_1-8125_PG/PG:perSample_IntEB:FG	Size: A	
		Dr By: Brian	01/20/2016



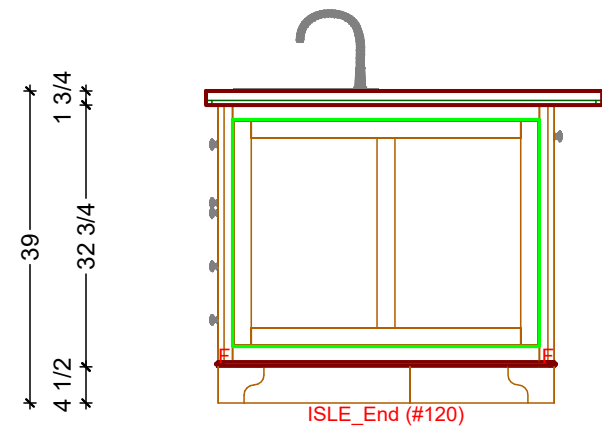
1 WINE AND UC-FRIDGE ELEVATION
 SCALE: 1/2" = 1' 0"

Classic Bath Designs, Inc.
 11544 Sheldon St., Sun Valley, CA 91352
 818.767.1144 fax: 818.767.1278

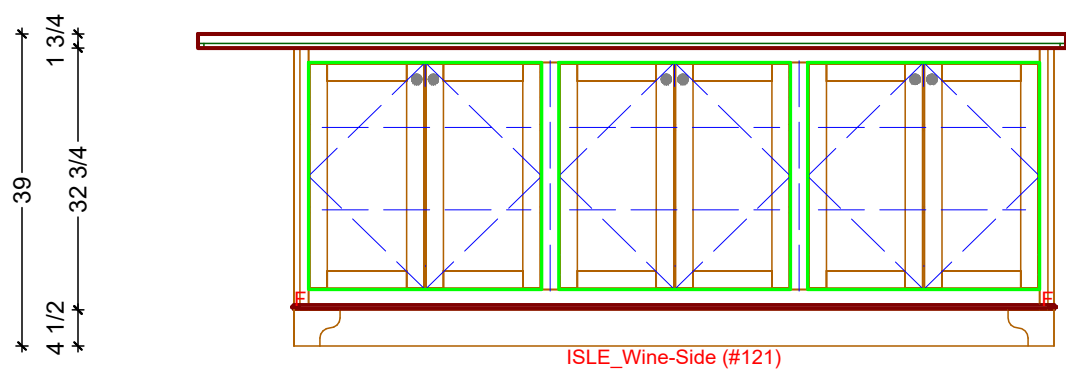
Cust: Dutton for Taylor	PO# KITCHEN	Scale: As Noted	K.3
Approved _____	Job: Dutt--Tylr_Flb-S_4-5_1-8125_PG/PG:perSample_IntEB:FG	Size: A	
		Dr By: Brian	01/20/2016



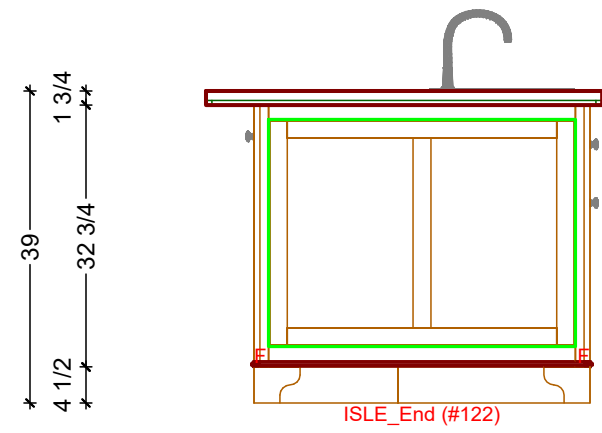
-----95-----
 -----95-----
1 ISLE ELEVATION
 SCALE: 1/2" = 1' 0"



-----42-----
2 ISLE ELEVATION
 SCALE: 1/2" = 1' 0"



-----95-----
 -----95-----
3 ISLE ELEVATION
 SCALE: 1/2" = 1' 0"



-----42-----
4 ISLE ELEVATION
 SCALE: 1/2" = 1' 0"

Classic Bath Designs, Inc.
 11544 Sheldon St., Sun Valley, CA 91352
 818.767.1144 fax: 818.767.1278

Cust: Dutton for Taylor	PO# KITCHEN	Scale: As Noted	K.4
Approved _____	Job: Dutt--Tylr_Flb-S_4-5_1-8125_PG/PG:perSample_IntEB:FG	Size: A	
		Dr By: Brian	01/20/2016



Classic Bath Designs, Inc.
 11544 Sheldon St., Sun Valley, CA 91352
 818.767.1144 fax: 818.767.1278



Cust: Dutton for Taylor	PO# KITCHEN	Scale: As Noted	
Approved _____	Job: Dutt--Tylr_Flb-S_4-5_1-8125_PG/PG:perSample_IntEB:FG	Size: A	Dr By: Brian 01/20/2016

Rndr



Classic Bath Designs, Inc.
 11544 Sheldon St., Sun Valley, CA 91352
 818.767.1144 fax: 818.767.1278



Cust: Dutton for Taylor	PO# KITCHEN	Scale: As Noted		Rndr
Approved _____	Job: Dutt--Tylr_Flb-S_4-5_1-8125_PG/PG:perSample_IntEB:FG	Size: A	Dr By: Brian	



Classic Bath Designs, Inc.
 11544 Sheldon St., Sun Valley, CA 91352
 818.767.1144 fax: 818.767.1278



Cust: Dutton for Taylor

PO# KITCHEN

Scale: As Noted

Approved _____

Job: Dutt--Tylr_Flb-S_4-5_1-8125_PG/PG:perSample_IntEB:FG

Size: A

Dr By: Brian

01/20/2016

Rndr