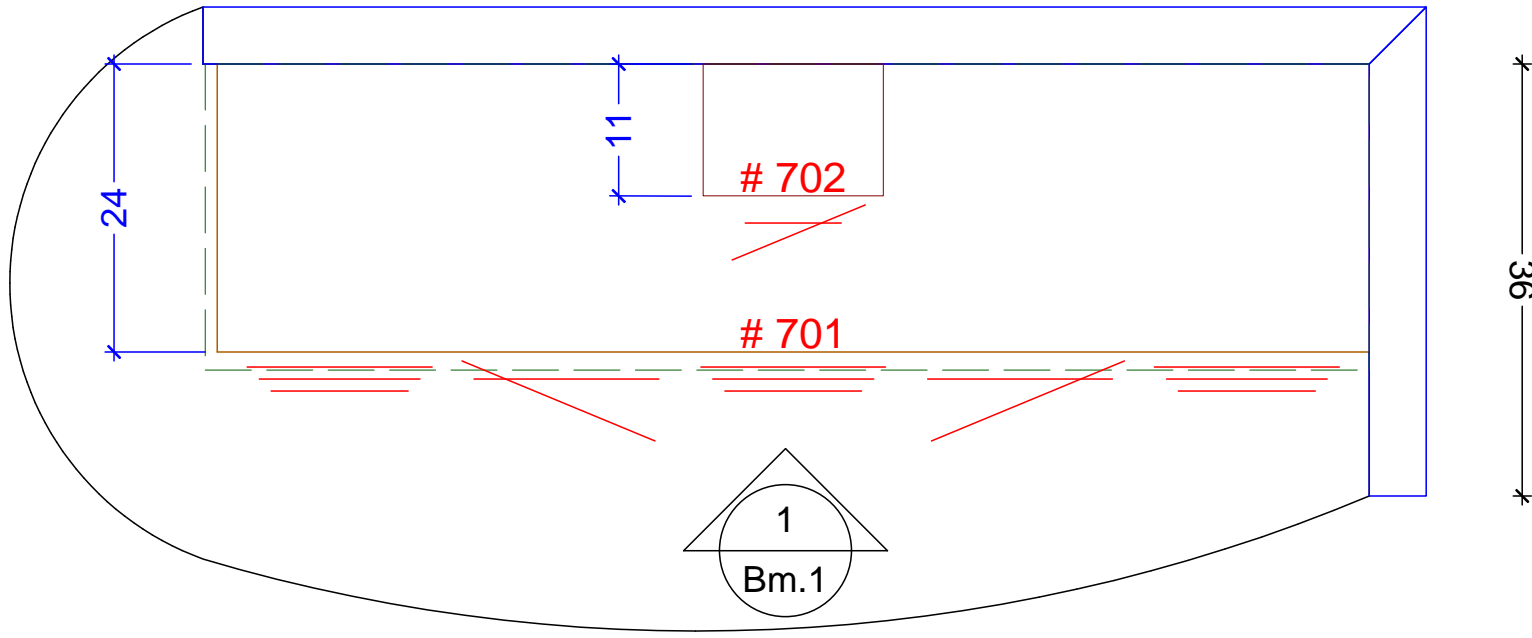
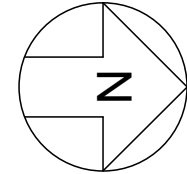


-----97 3/16-----

-----41 11/16----- 15 *-----40 1/2-----*

1 3/16

**-----96-----*

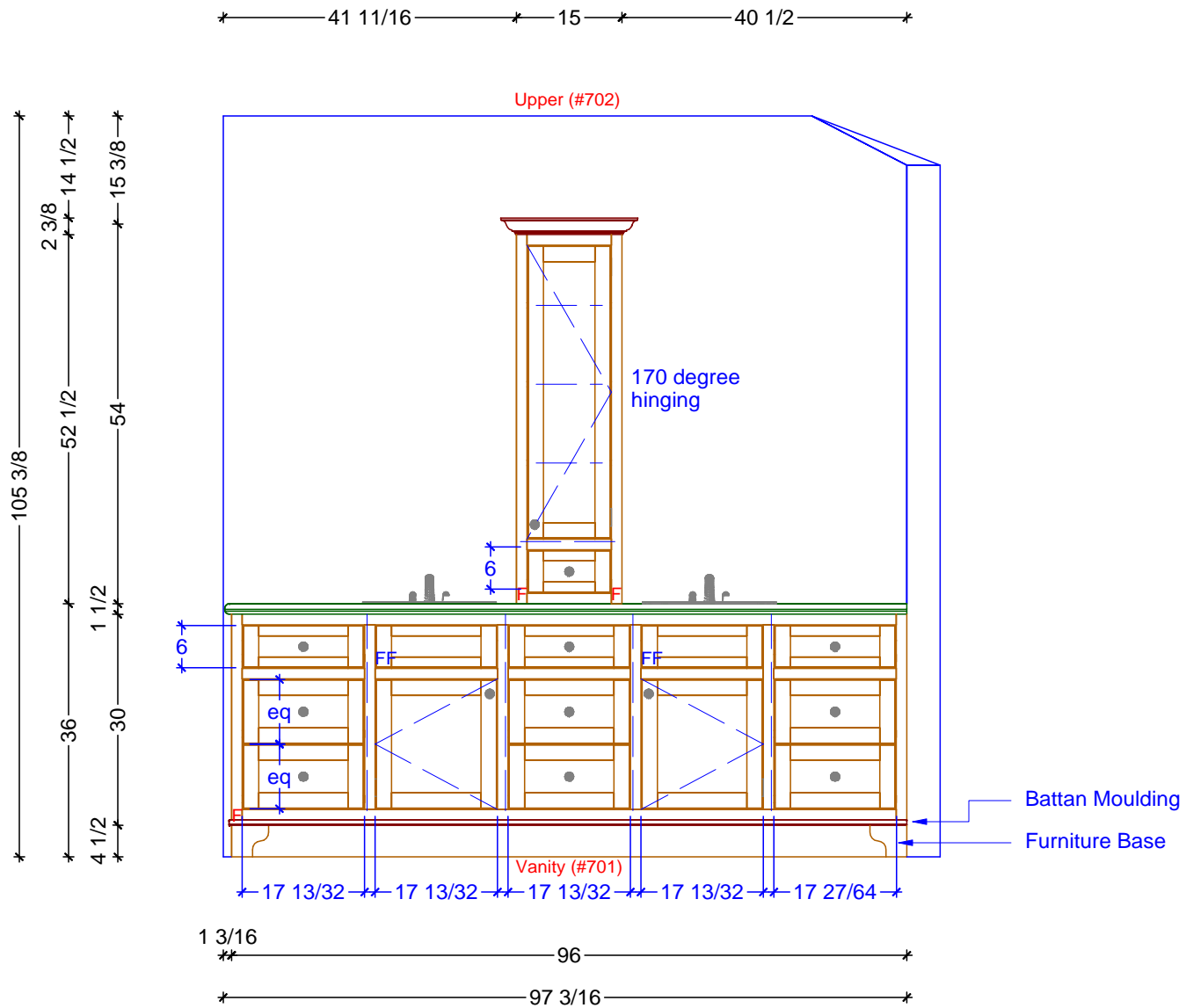


○ BATH-MASTER CABINETS FLOOR PLAN
SCALE: 3/4" = 1' 0"

Classic Bath Designs, Inc.
11544 Sheldon St., Sun Valley, CA 91352
818.767.1144 fax: 818.767.1278

Cust: Dutton Construction for Taylor		PO# BATHs	Scale: As Noted	MASTER
Approved _____	Job: Dutton--Taylor_FI-S_3-25_1-5_PG/PG_IntEB:PG		Size: A	Dr By: Brian 02/11/2016

Bm.o



1 BATH-MASTER ELEVATION - WEST
SCALE: 1/2" = 1' 0"

Classic Bath Designs, Inc.
11544 Sheldon St., Sun Valley, CA 91352
818.767.1144 fax: 818.767.1278

Cust: Dutton Construction for Taylor	PO# BATHs	Scale: As Noted	MASTER
Approved _____	Job: Dutton--Taylor_FI-S_3-25_1-5_PG/PG_IntEB:PG	Size: A	Dr By: Brian 02/11/2016

Bm.1



Classic Bath Designs, Inc.
 11544 Sheldon St., Sun Valley, CA 91352
 818.767.1144 fax: 818.767.1278



Cust: Dutton Construction for Taylor

PO# BATHs

Scale: As Noted

MASTER

Approved _____

Job: Dutton--Taylor_FI-S_3-25_1-5_PG/PG_IntEB:PG

Size: A

Dr By: Brian

02/11/2016

Rndr