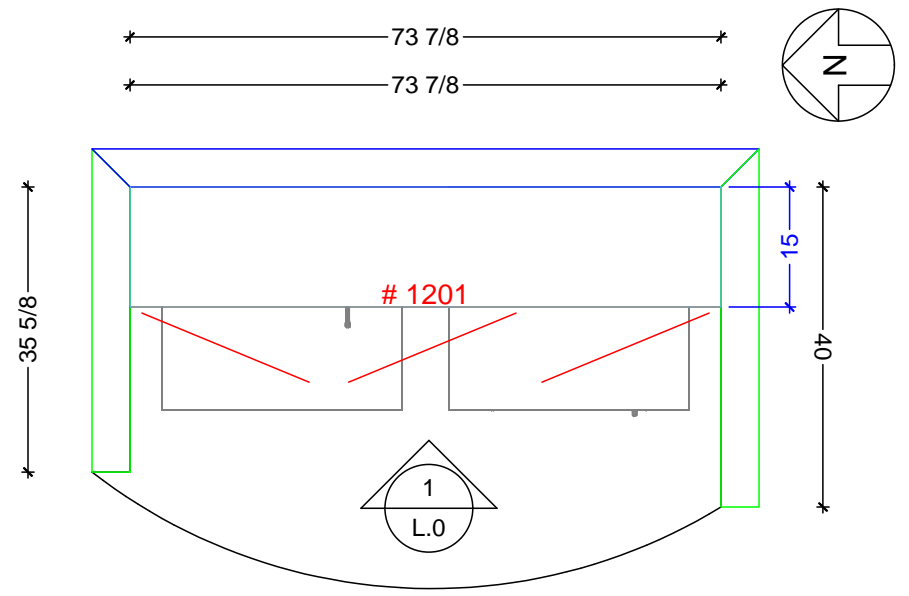


1 LAUNDRY ELEVATION - EAST
SCALE: 1/2" = 1' 0"



LAUNDRY CABINETRY FLOOR PLAN
SCALE: 1/2" = 1' 0"

Classic Bath Designs, Inc.
11544 Sheldon St., Sun Valley, CA 91352
818.767.1144 fax: 818.767.1278

Cust: Dutton Construction for Taylor	PO# BATHs	Scale: As Noted	LAUNDRY	L.O
Approved _____	Job: Dut--Tylr_FI-S_4-5_1-5_PG-StG_IntEB:PG-StG	Size: A	Dr By: Brian 03/30/2016	



Cust: Dutton Construction for Taylor

PO# BATHs

Scale: As Noted

LAUNDRY

Approved _____

Job: Dut--Tylr_FI-S_4-5_1-5_PG-StG_IntEB:PG-StG

Size: A

Dr By: Brian

03/30/2016

Rndr