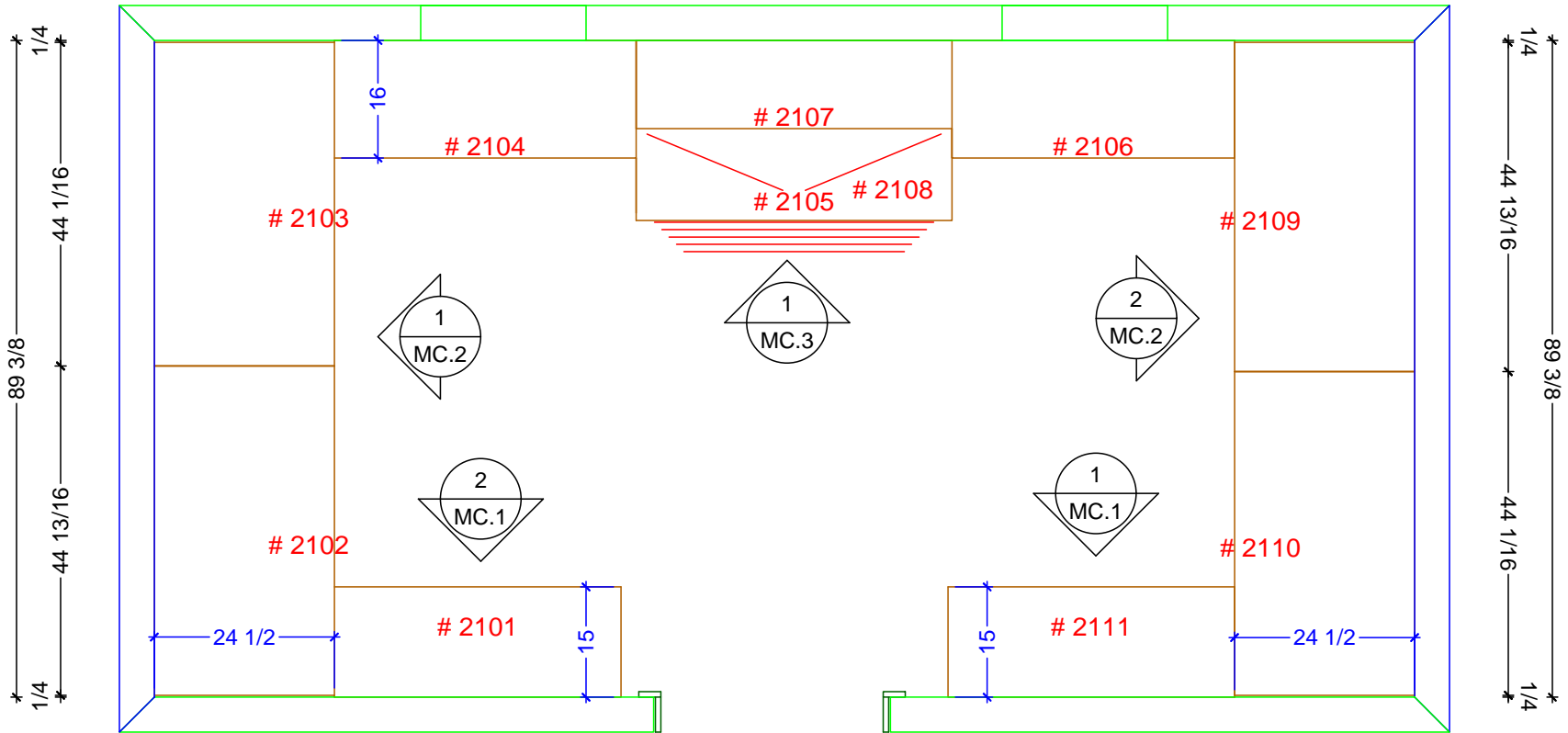
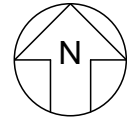


\*-----171 1/2-----\*  
 \*-----36 1/4-----\* 22 1/2 6 13/16 \*-----43-----\* 6 13/16 22 1/2 \*-----33 5/8-----\*  
 \*-----24 1/2-----\* 41 1/16 \*-----43-----\* 38 7/16 \*-----24 1/2-----\*



\*-----24 1/2-----\* 39 \*-----4 7/16-----\*  
 \*-----67 15/16-----\*

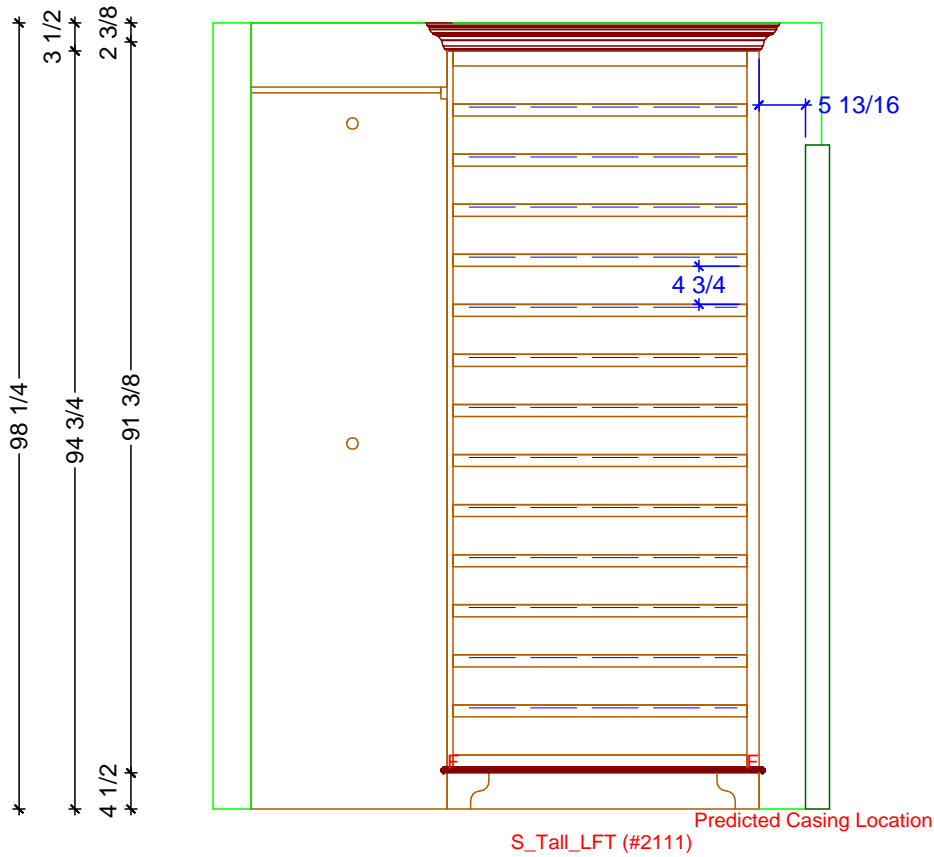
\*-----7 13/16-----\* 39 \*-----24 1/2-----\*  
 \*-----71 5/16-----\*

○ MASTER CLOSET CABINERY FLOOR PLAN  
 SCALE: 1/2" = 1' 0"

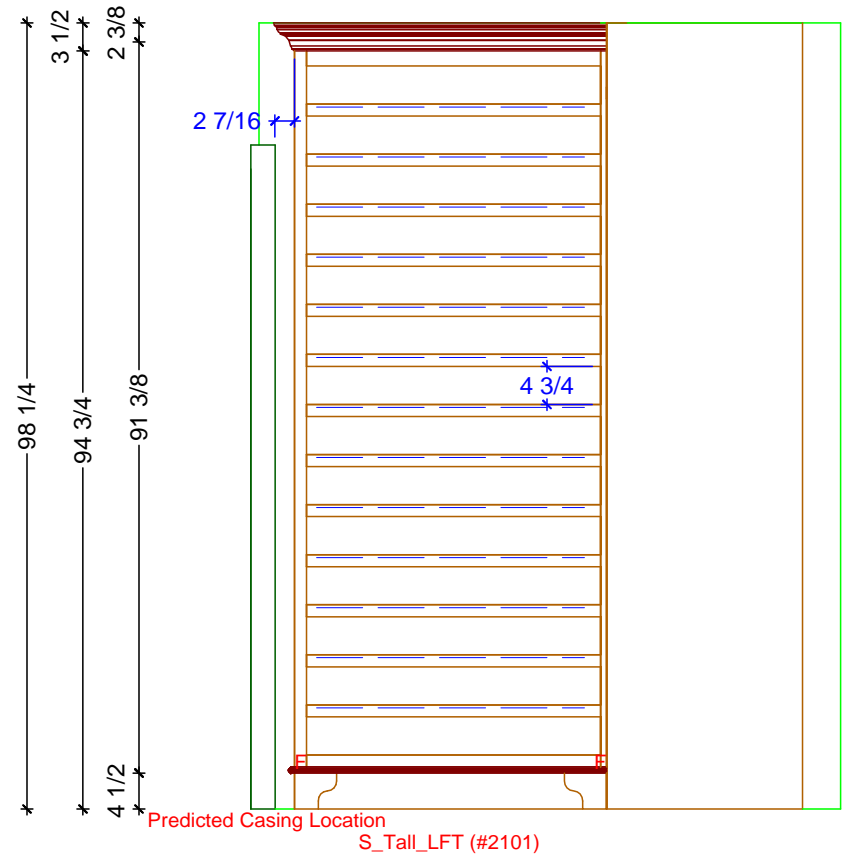
**Classic Bath Designs, Inc.**  
 11544 Sheldon St., Sun Valley, CA 91352  
 818.767.1144 fax: 818.767.1278



Cust: Dutton for Taylor		PO# PHASE-II	Scale: As Noted	Master Closet	MC.0
Approved _____	Job: FI-S_PreFIN/PG:perSample_IntEB:PG	Size: A	Dr By: Brian	04/04/16	



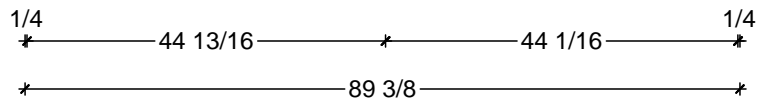
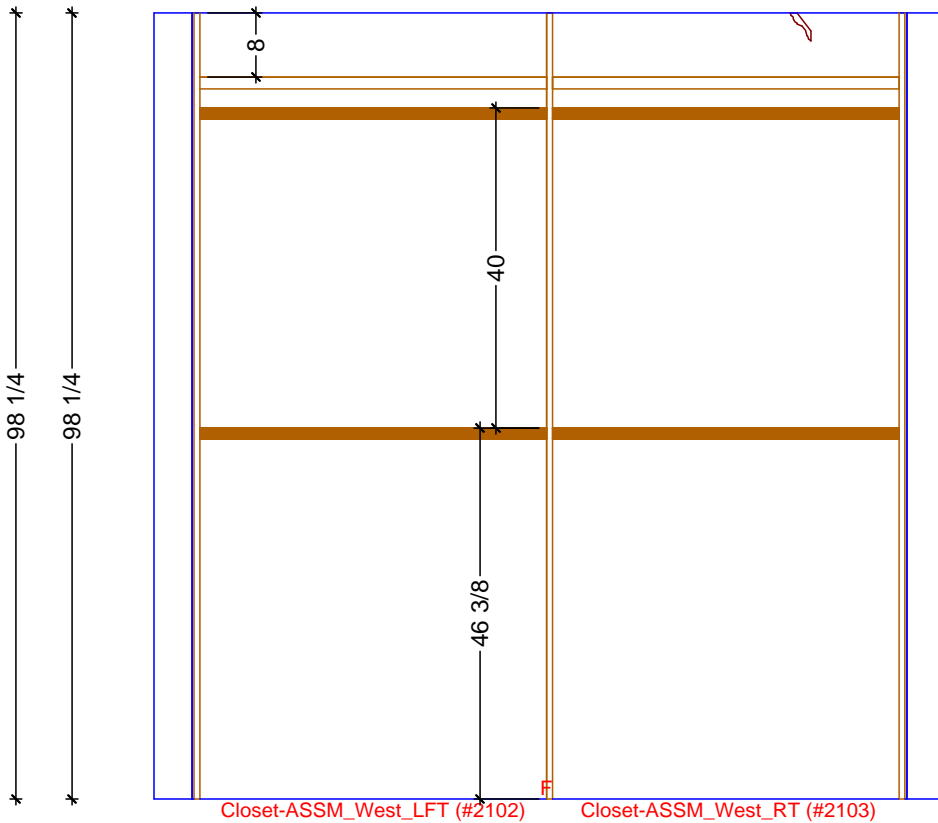
1 MASTER CLOSET ELEVATION - SOUTH  
SCALE: 1/2" = 1' 0"



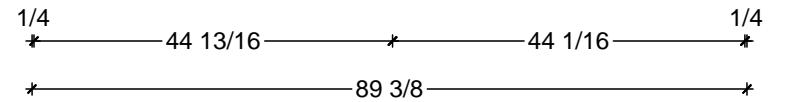
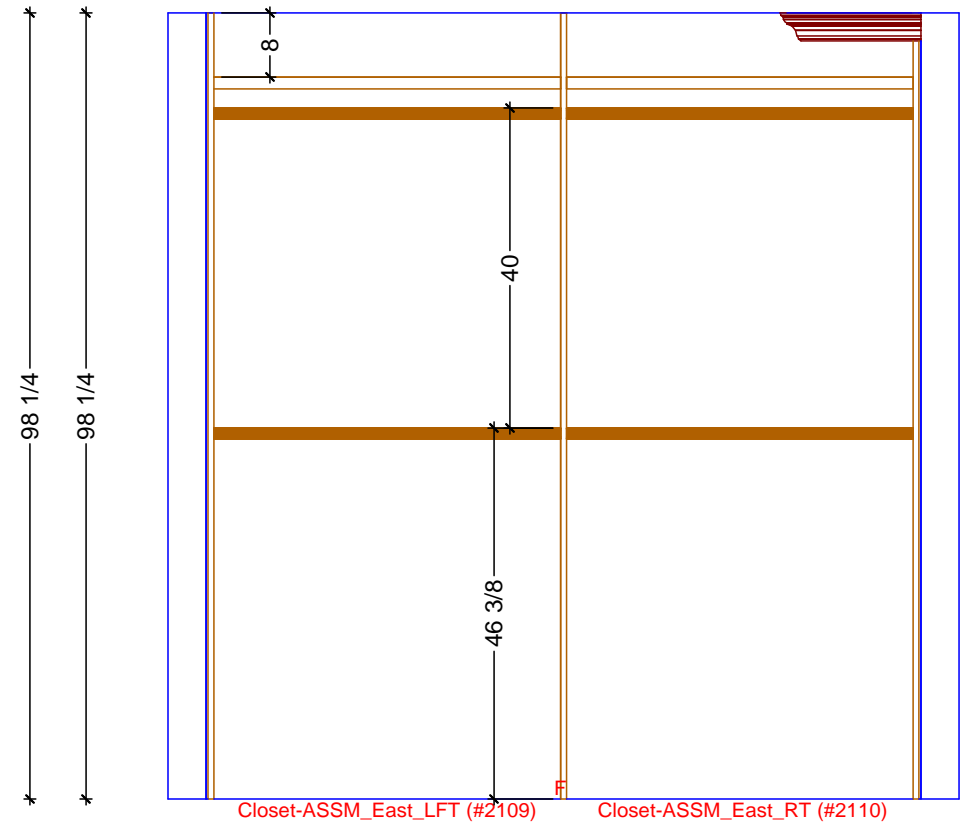
2 MASTER CLOSET ELEVATION - SOUTH  
SCALE: 1/2" = 1' 0"

**Classic Bath Designs, Inc.**  
11544 Sheldon St., Sun Valley, CA 91352  
818.767.1144 fax: 818.767.1278

Cust: Dutton for Taylor		PO# PHASE-II	Scale: As Noted	Master Closet	
Approved _____	Job: FI-S_PreFIN/PG:perSample_IntEB:PG		Size: A	Dr By: Brian	04/04/16
					MC.1



1 MASTER CLOSET ELEVATION - WEST  
SCALE: 1/2" = 1' 0"



2 MASTER CLOSET ELEVATION - EAST  
SCALE: 1/2" = 1' 0"

**Classic Bath Designs, Inc.**  
11544 Sheldon St., Sun Valley, CA 91352  
818.767.1144 fax: 818.767.1278



Cust: Dutton for Taylor

PO# PHASE-II

Scale: As Noted

Master Closet

Approved \_\_\_\_\_

Job: FI-S\_PreFIN/PG:perSample\_IntEB:PG

Size: A

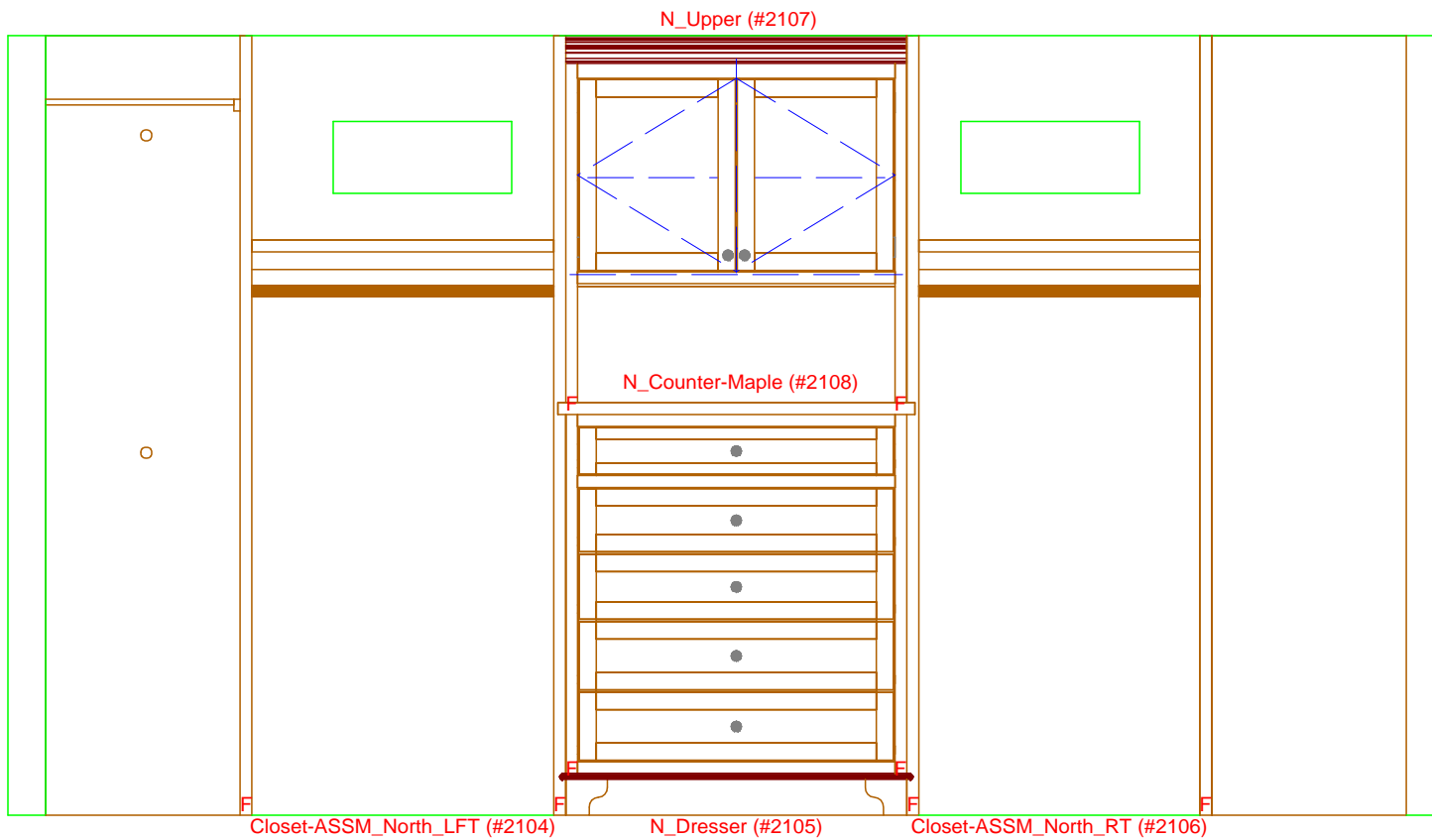
Dr By: Brian

04/04/16

**MC.2**

\*-----36 1/4-----\* \*-----22 1/2-----\* \*-----6 13/16-----\* \*-----43-----\* \*-----6 13/16-----\* \*-----22 1/2-----\* \*-----33 5/8-----\*

\*-----98 1/4-----\*  
 \*-----3 1/2-----\*  
 \*-----42 3/4-----\*  
 \*-----2 3/8-----\*  
 \*-----23 3/8-----\*  
 \*-----20 1/2-----\*  
 \*-----1 1/2-----\*  
 \*-----1 1/2-----\*  
 \*-----50 1/2-----\*  
 \*-----46-----\*  
 \*-----4 1/2-----\*



\*-----24 1/2-----\* \*-----41 1/16-----\* \*-----43-----\* \*-----38 7/16-----\* \*-----24 1/2-----\*

\*-----171 1/2-----\*

**1** MASTER CLOSET ELEVATION - NORTH  
 SCALE: 1/2" = 1' 0"

**Classic Bath Designs, Inc.**  
 11544 Sheldon St., Sun Valley, CA 91352  
 818.767.1144 fax: 818.767.1278

Cust: Dutton for Taylor	PO# PHASE-II	Scale: As Noted	Master Closet
Approved _____	Job: FI-S_PreFIN/PG:perSample_IntEB:PG	Size: A	Dr By: Brian 04/04/16

**MC.3**



**Classic Bath Designs, Inc.**  
 11544 Sheldon St., Sun Valley, CA 91352  
 818.767.1144 fax: 818.767.1278



Cust: Dutton for Taylor		PO# PHASE-II	Scale: As Noted	Master Closet
Approved _____	Job: FI-S_PreFIN/PG:perSample_IntEB:PG	Size: A	Dr By: Brian	04/04/16

Rndr



**Classic Bath Designs, Inc.**  
 11544 Sheldon St., Sun Valley, CA 91352  
 818.767.1144 fax: 818.767.1278



Cust: Dutton for Taylor		PO# PHASE-II	Scale: As Noted	Master Closet
Approved _____	Job: FI-S_PreFIN/PG:perSample_IntEB:PG		Size: A	Dr By: Brian 04/04/16

Rndr