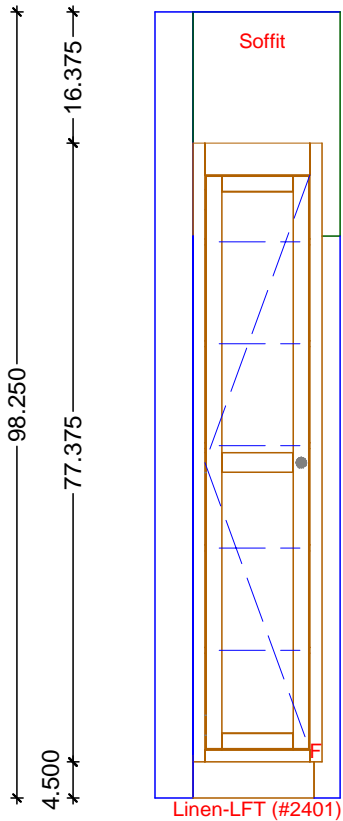


LANDING CABINERY FLOOR PLAN
 SCALE: 3/8" = 1' 0"

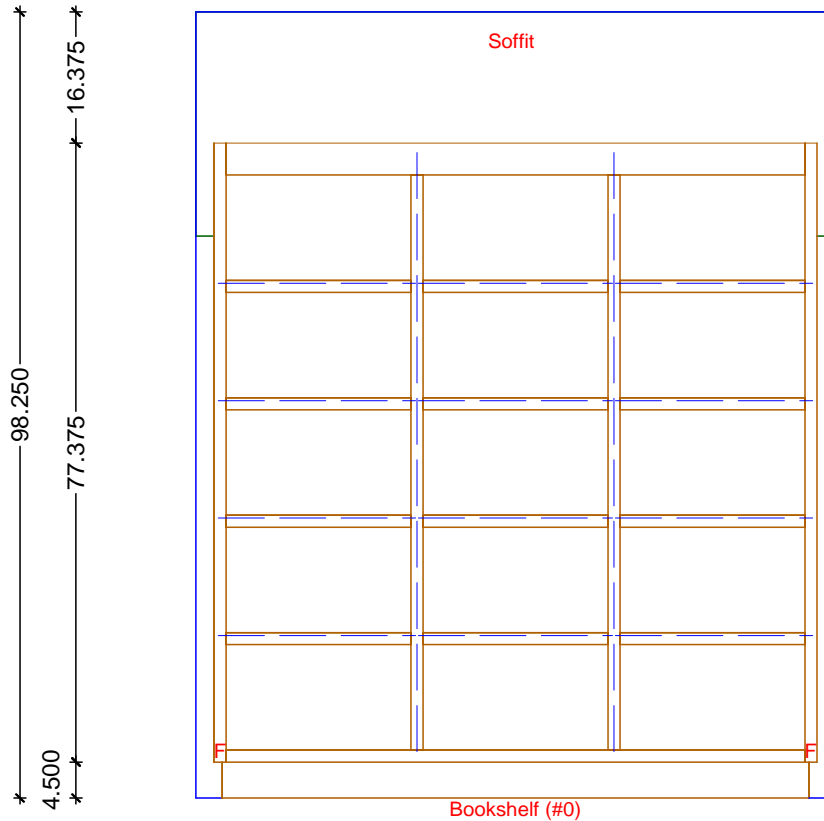
Classic Bath Designs, Inc.
 11544 Sheldon St., Sun Valley, CA 91352
 818.767.1144 fax: 818.767.1278

Cust: Dutton for Taylor	PO# LANDING	Scale: As Noted	LANDING
Approved _____	Job: FI-S_PG/PG:perSample_IntEB:PG	Size: A	Dr By: Brian 07/19/2016
			Ln.0



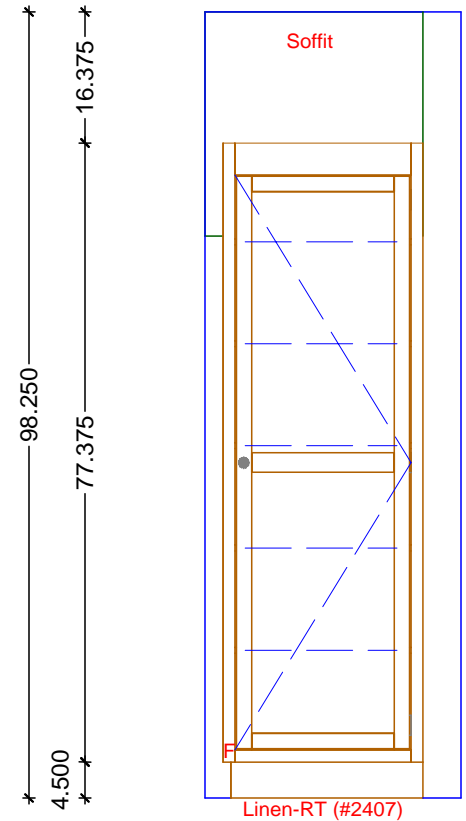
Linen-LFT (#2401)

2.250
 * 16.125 *
 * 18.375 *



Bookshelf (#0)

2.250
 * 75.375 *
 * 79.875 *



Linen-RT (#2407)

2.250
 * 25.000 *
 * 27.250 *

1 LANDING ELEVATION - LINEN LEFT
 SCALE: 1/2" = 1' 0"

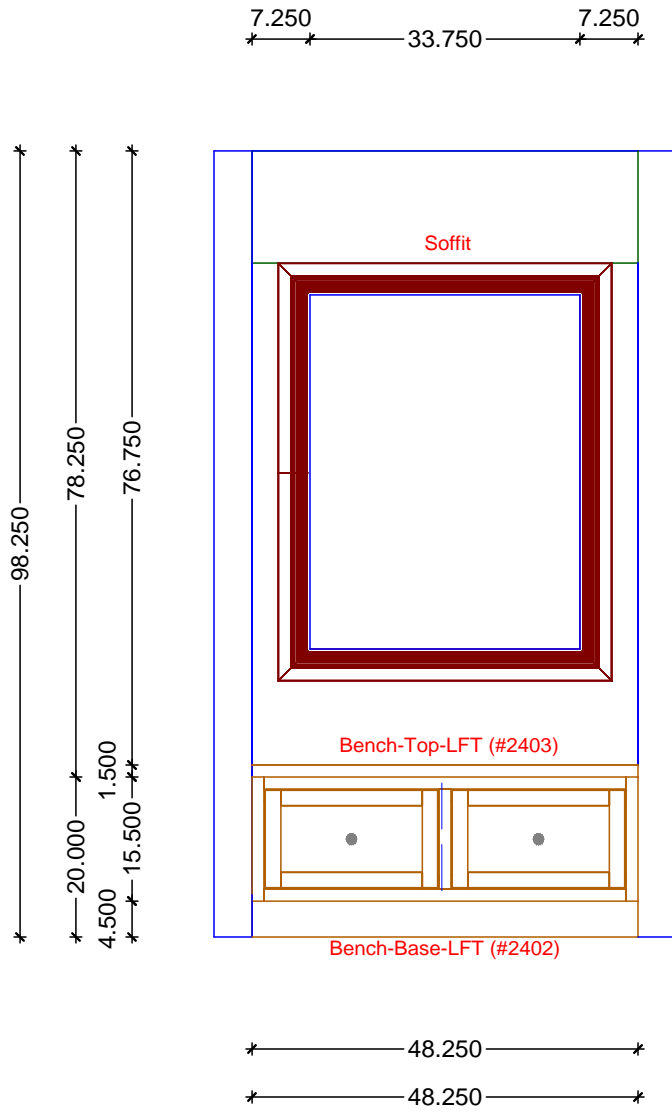
2 LANDING ELEVATION - BOOKCASE
 SCALE: 1/2" = 1' 0"

3 LANDING ELEVATION - LINEN RIGHT
 SCALE: 1/2" = 1' 0"

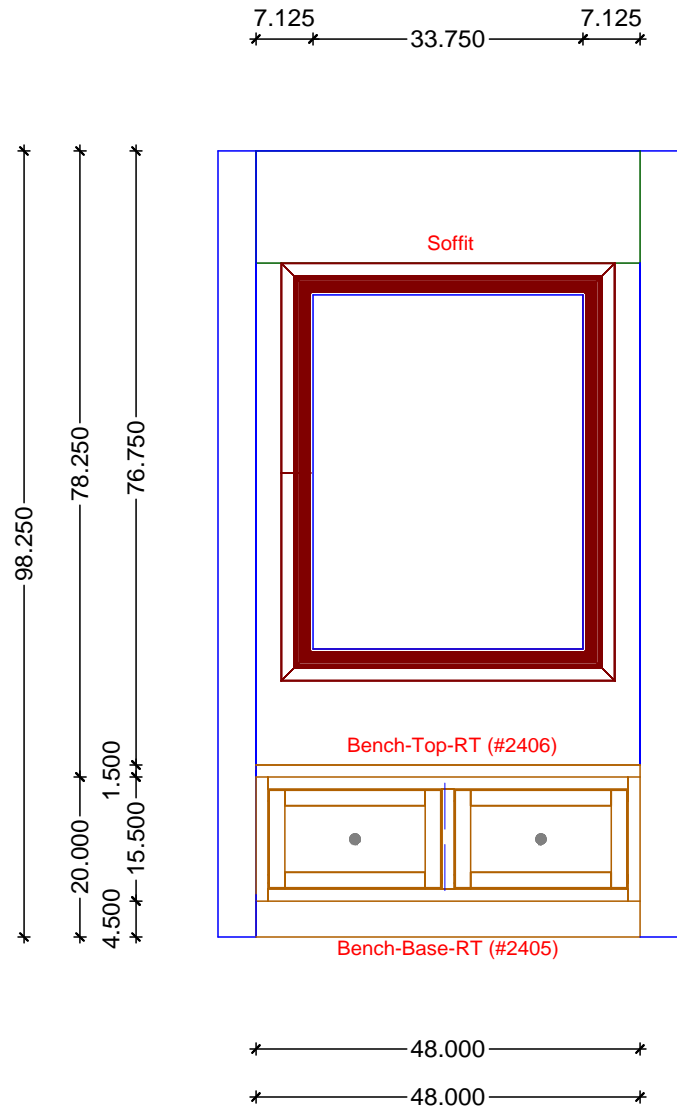
Classic Bath Designs, Inc.
 11544 Sheldon St., Sun Valley, CA 91352
 818.767.1144 fax: 818.767.1278



Cust: Dutton for Taylor		PO# LANDING	Scale: As Noted	LANDING	
Approved _____	Job: FI-S_PG/PG:perSample_IntEB:PG	Size: A	Dr By: Brian	07/19/2016	Ln.1



1 LANDING ELEVATION - BENCH SEAT - LEFT
SCALE: 1/2" = 1' 0"



2 LANDING ELEVATION - BENCH SEAT - RIGHT
SCALE: 1/2" = 1' 0"

Classic Bath Designs, Inc.
11544 Sheldon St., Sun Valley, CA 91352
818.767.1144 fax: 818.767.1278



Cust: Dutton for Taylor		PO# LANDING	Scale: As Noted	LANDING	
Approved _____	Job: FI-S_PG/PG:perSample_IntEB:PG	Size: A	Dr By: Brian	07/19/2016	Ln.2



Classic Bath Designs, Inc.
 11544 Sheldon St., Sun Valley, CA 91352
 818.767.1144 fax: 818.767.1278



Cust: Dutton for Taylor

PO# LANDING

Scale: As Noted

LANDING

Approved _____

Job: FI-S_PG/PG:perSample_IntEB:PG

Size: A

Dr By: Brian

07/19/2016

Rndr