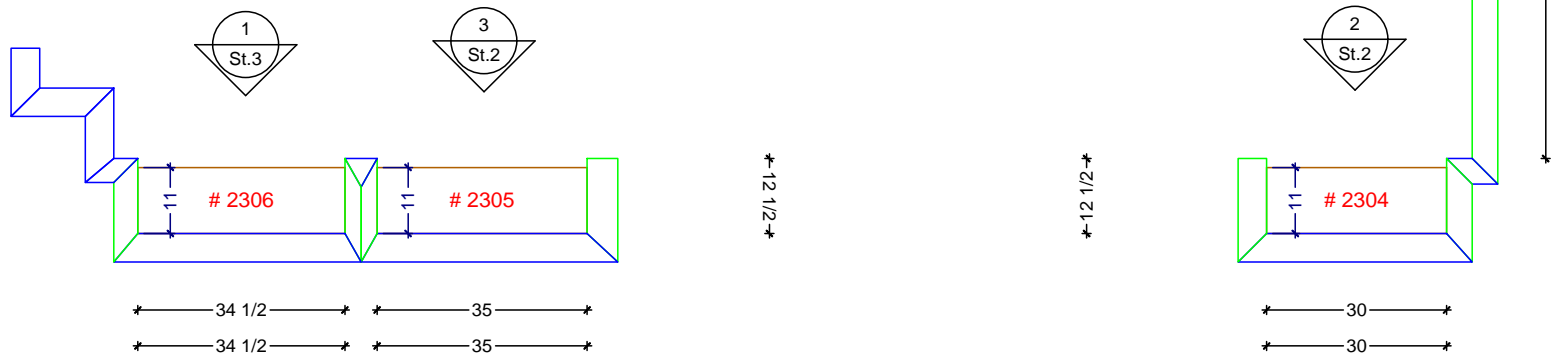


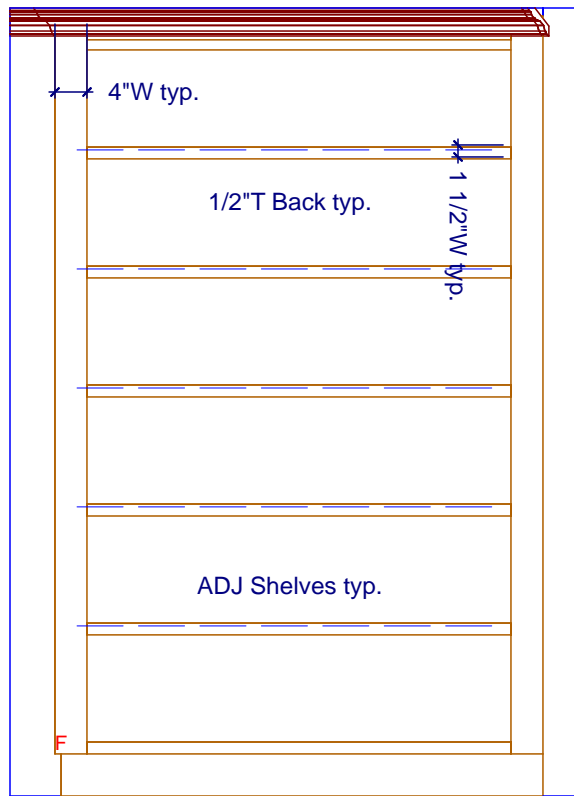
STUDY CABINETS FLOOR PLAN
 SCALE: 3/8" = 1' 0"



Classic Bath Designs, Inc.
 11544 Sheldon St., Sun Valley, CA 91352
 818.767.1144 fax: 818.767.1278

Cust: Dutton for Taylor		PO# PHASE-II	Scale: As Noted	STUDY	St.0
Approved _____	Job: FI-S_PreFIN/Pg:perSample_IntEB:PG	Size: A	Dr By: Brian	07/20/16	

$98 \frac{1}{2}$
 $3 \frac{1}{2}$
 1
 95
 $92 \frac{1}{4}$
 $5 \frac{1}{4}$

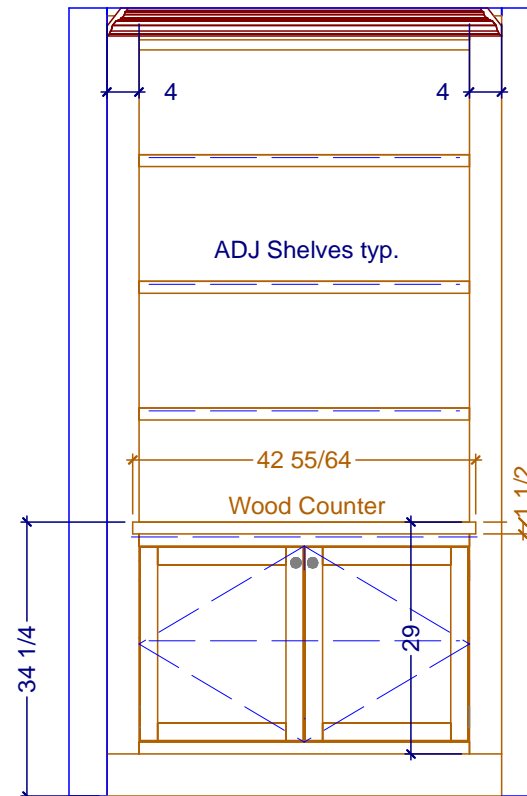


Tail-S_RT-RT (#2301)

$5 \frac{5}{8}$
 61
 $66 \frac{5}{8}$

1 STUDY ELEVATION - WEST
SCALE: 1/2" = 1' 0"

$98 \frac{1}{2}$
 $3 \frac{1}{2}$
 1
 95
 $92 \frac{1}{4}$
 $5 \frac{1}{4}$



Tail-N_LFT (#2302)

$49 \frac{5}{16}$
 $49 \frac{5}{16}$

2 STUDY ELEVATION - NORTH
SCALE: 1/2" = 1' 0"

Classic Bath Designs, Inc.
 11544 Sheldon St., Sun Valley, CA 91352
 818.767.1144 fax: 818.767.1278



Cust: Dutton for Taylor

PO# PHASE-II

Scale: As Noted

STUDY

Approved _____

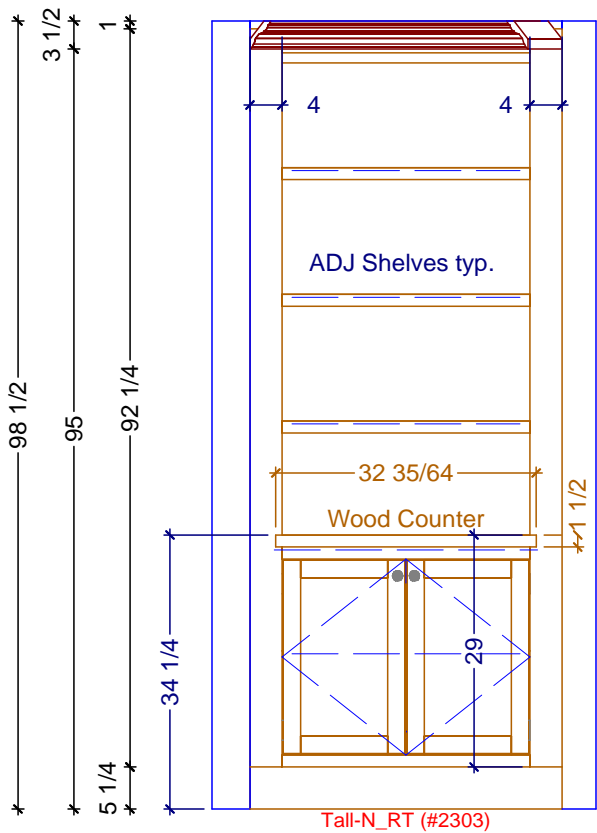
Job: FI-S_PreFIN/PG:perSample_IntEB:PG

Size: A

Dr By: Brian

07/20/16

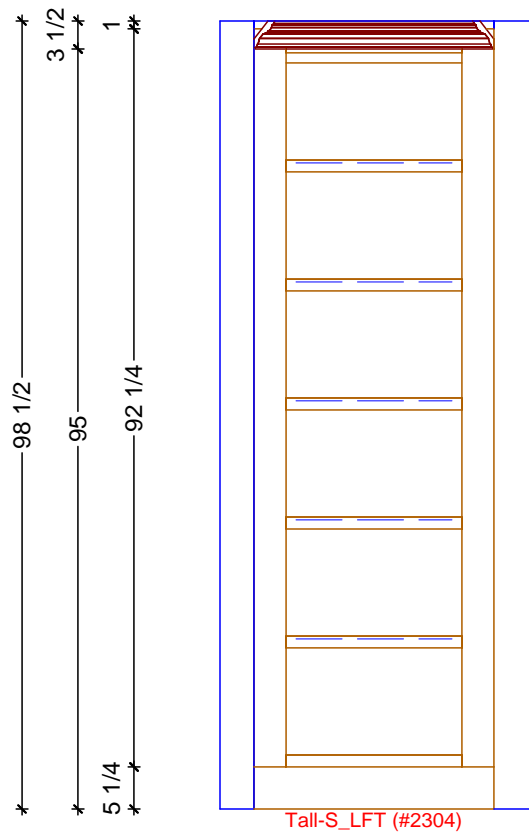
St.1



-----39-----

-----39-----

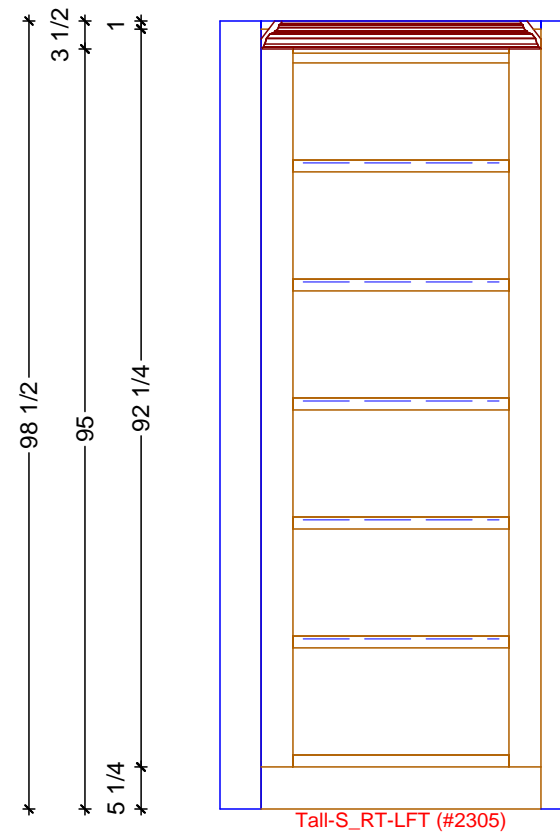
1 STUDY ELEVATION - NORTH
SCALE: 1/2" = 1' 0"



-----30-----

-----30-----

2 STUDY ELEVATION - SOUTH
SCALE: 1/2" = 1' 0"



-----35-----

-----35-----

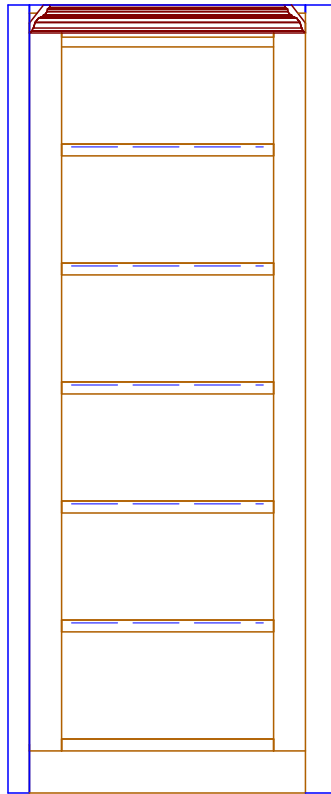
3 STUDY ELEVATION - SOUTH
SCALE: 1/2" = 1' 0"

Classic Bath Designs, Inc.
11544 Sheldon St., Sun Valley, CA 91352
818.767.1144 fax: 818.767.1278



Cust: Dutton for Taylor	PO# PHASE-II	Scale: As Noted	STUDY	St.2
Approved _____	Job: FI-S_PreFIN/PG:perSample_IntEB:PG	Size: A	Dr By: Brian 07/20/16	

* 98 1/2 *
 * 3 1/2 *
 * 95 *
 * 5 1/4 *
 * 92 1/4 *



Tall-S_RT-RT (#2306)

* 34 1/2 *

* 34 1/2 *

1 STUDY ELEVATION - SOUTH
 SCALE: 1/2" = 1' 0"

Classic Bath Designs, Inc.
 11544 Sheldon St., Sun Valley, CA 91352
 818.767.1144 fax: 818.767.1278



Cust: Dutton for Taylor

PO# PHASE-II

Scale: As Noted

STUDY

Approved _____

Job: FI-S_PreFIN/PG:perSample_IntEB:PG

Size: A

Dr By: Brian

07/20/16

St.3



Classic Bath Designs, Inc.
 11544 Sheldon St., Sun Valley, CA 91352
 818.767.1144 fax: 818.767.1278



Cust: Dutton for Taylor

PO# PHASE-II

Scale: As Noted

STUDY

Approved _____

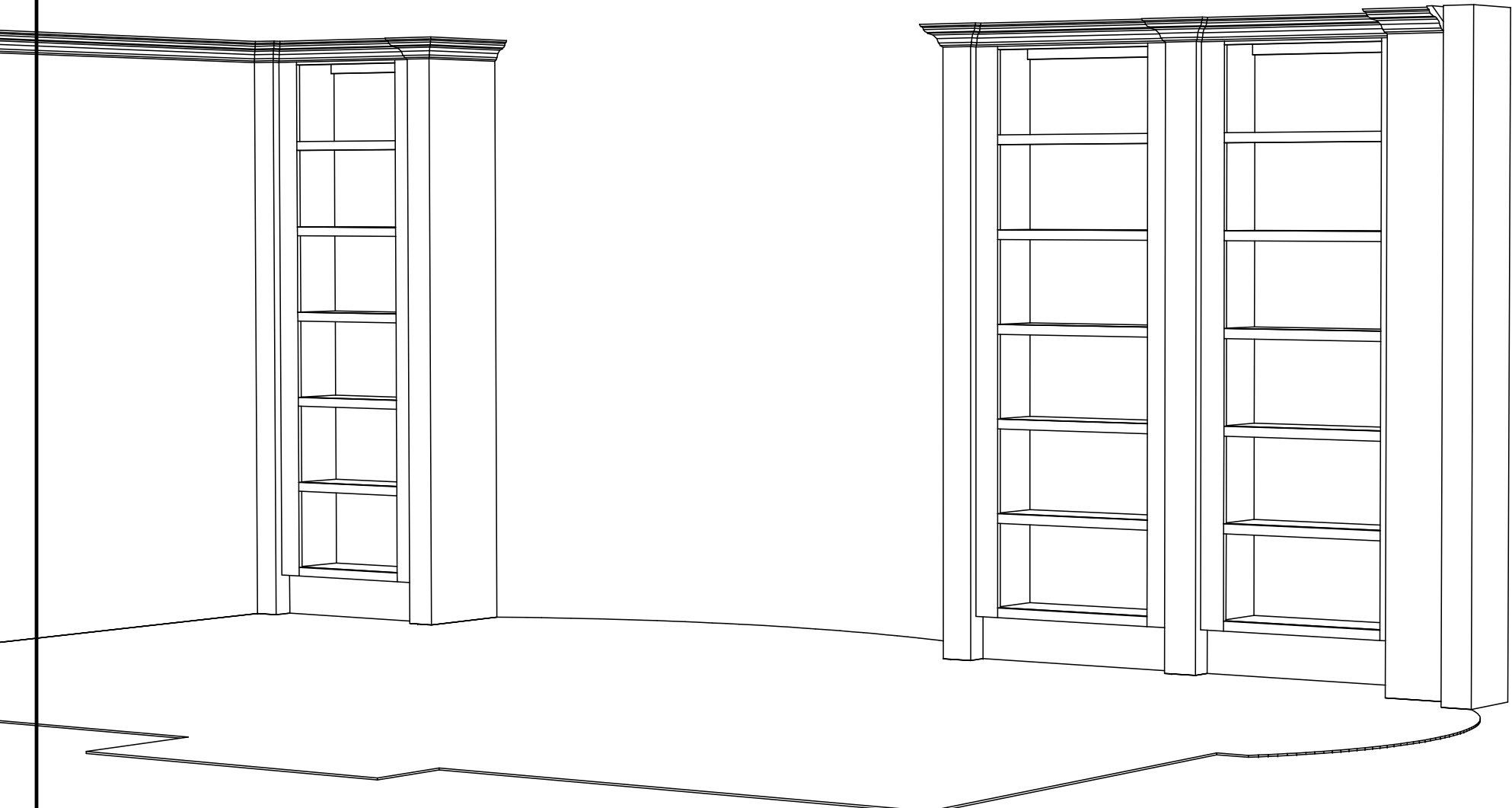
Job: FI-S_PreFIN/PG:perSample_IntEB:PG

Size: A

Dr By: Brian

07/20/16

Persp



Classic Bath Designs, Inc.
11544 Sheldon St., Sun Valley, CA 91352
818.767.1144 fax: 818.767.1278



Cust: Dutton for Taylor		PO# PHASE-II	Scale: As Noted	STUDY	
Approved _____	Job: FI-S_PreFIN/PG:perSample_IntEB:PG		Size: A	Dr By: Brian	07/20/16

Persp