

# T30IF800SP

## 30-INCH FLUSH FREEZER COLUMN WITH INTERNAL ICE MAKER

FREEDOM® COLLECTION, PANEL-READY, REVERSIBLE DOOR SWING



### FEATURES & BENEFITS

- Freedom® Hinge enables true flush design
- Full-height door-true cabinet integration without exposed venting grille
- All-LED sidewall and theater lighting
- Brightspace interior design
- Accepts custom or stainless steel panels

### TEMPERATURE RANGES

Freezer	-9°F (-23°C) to 7°F (-14°C)
SuperFreeze®	-9°F (-23°C) for approximately 52 hours
Energy Saving (Economy) Mode	3°F (-16°C)

### ACCESSORIES (OPTIONAL)

Stainless Steel Panel Options:

TFL30IR800 - Flat Stainless Steel Panel

TCH30IR800 - Chiseled Stainless Steel Panel

Handle Options:

PR36HNDL10 - 36-Inch Professional

MS36HNDL10 - 36-Inch Masterpiece®

FRAMEKIT10 - Freedom® Frame Kit

HEATRKIT10 - Freedom® Heater Kit

Filters:

REPLFLTR10 - Freedom® Water Filter

SCRNFLTR10 - Filter By-Pass

### GENERAL PROPERTIES

Panel Ready	Yes
Reversible Door Swing	Yes
Lighting	All-LED Sidewall and Theater Lighting
Full Width Shelves	3
Adjustable Shelves	3
Shelf Material	Metal
Full Extension Drawers at 90° Door Opening Angle	Yes
Door Bins	5
Ice Maker	Yes
Door Open Alarm	Yes
Special Modes	Sabbath, Economy, Vacation

### CAPACITY

Total Unit Gross Capacity (cu. ft.) - AHAM	15.8 cu. ft.
Freezer Gross Capacity (cu. ft.)	15.8 cu. ft.

### PERFORMANCE

Dedicated Evaporator & Compressor System	Yes
SuperFreeze®	Yes
Defrost Process	Frost-Free

### TECHNICAL DETAILS

Watts (W)	504 W
Current (A)	15 A
Volts (V), Frequency (Hz)	120 V, 60 Hz
Power Cord Length (in.)	78 3/4"
Plug Type	120V-3 Prong

### DIMENSIONS & WEIGHT

Appliance Dimensions (H x W x D) (in.)	84" x 29 3/4" x 24"
Required Cutout Size (H x W x D) (in.)	84" x 30" x 24 3/4"
Net Weight (lbs)	350 lbs

### EFFICIENCY

ENERGY STAR® Qualified	Yes
Annual Energy Consumption	564 kWh

### WARRANTY

Limited, Entire Appliance, Parts and Labor on Any Part of the Refrigerator that Fails Because of a Manufacturing Defect	2 Year
Limited Warranty for Sealed Refrigeration System*; Parts And Labor	3rd to 6th Year
Limited Warranty for Sealed Refrigeration System*; Parts Only	7th to 12th Year

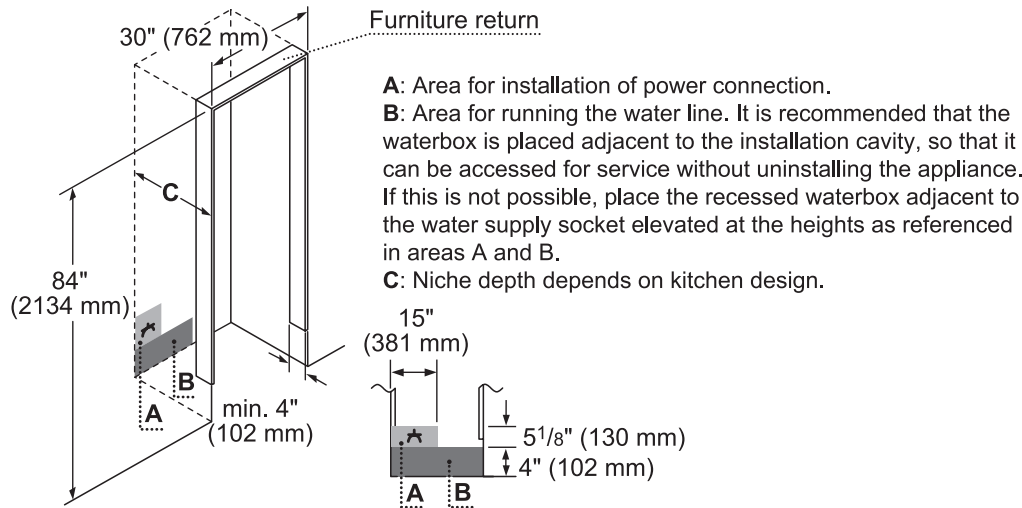
\* Sealed refrigeration system includes compressor, evaporator, condenser, dryer / strainer and connection tubing

# T30IF800SP 30-INCH FLUSH FREEZER COLUMN WITH INTERNAL ICE MAKER

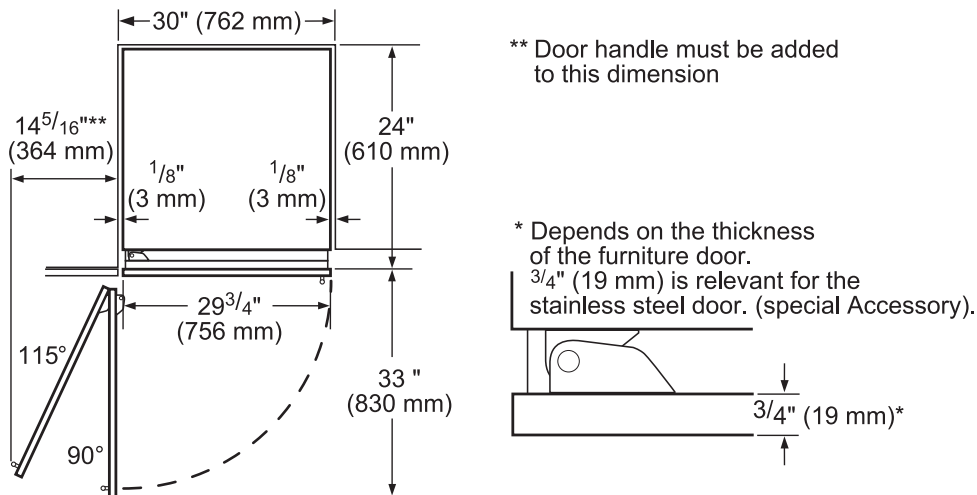
FREEDOM® COLLECTION, PANEL-READY, REVERSIBLE DOOR SWING



## CUTOUT DIMENSIONS



## TOP VIEW CLEARANCE

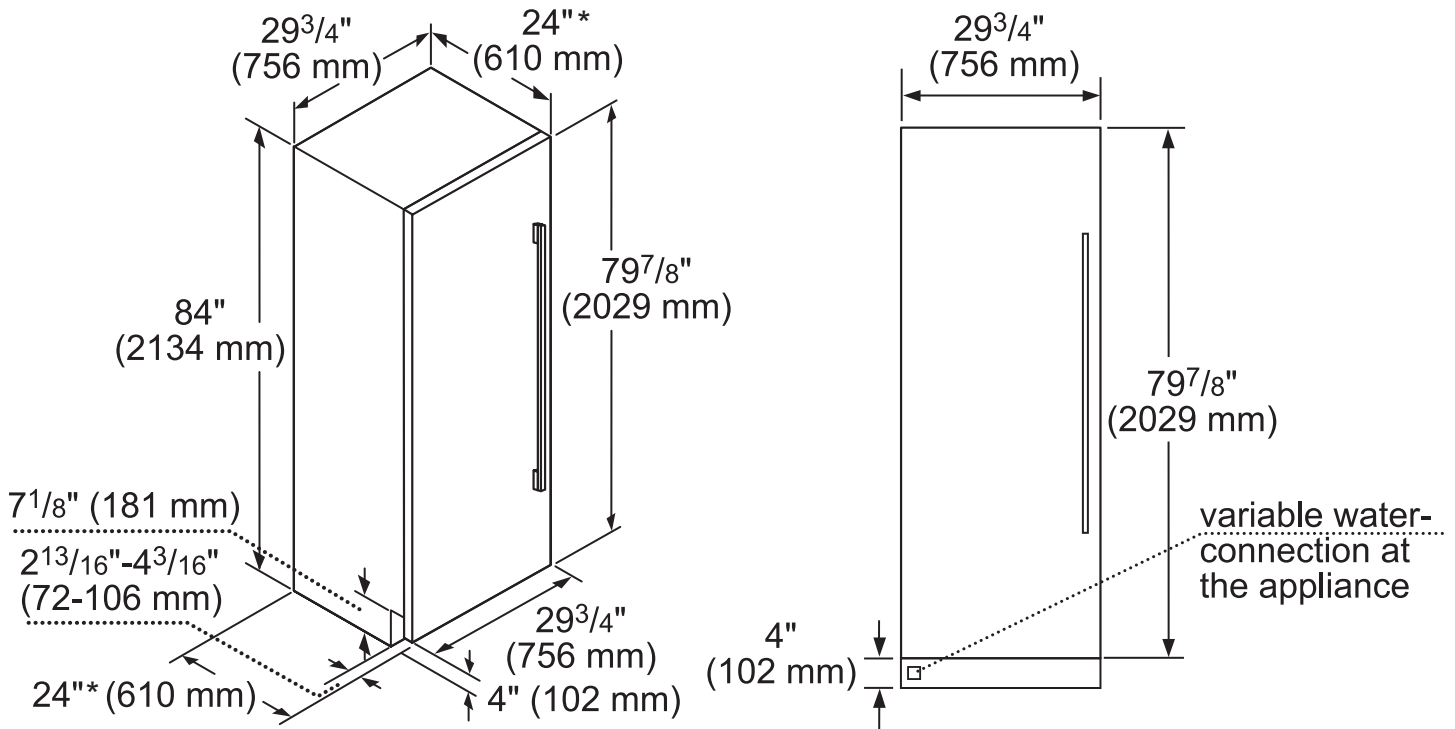


# T30IF800SP 30-INCH FLUSH FREEZER COLUMN WITH INTERNAL ICE MAKER



FREEDOM® COLLECTION, PANEL-READY, REVERSIBLE DOOR SWING

## PANEL DIMENSIONS



\*Excludes thickness of door panel. If standard panel with  $\frac{3}{4}$ " thickness is mounted, total depth is  $24\frac{3}{4}$ ".

These warranties give you specific legal rights and you may have other rights that vary from state to state. Full warranty and limited warranty from date of installation. For complete warranty details, refer to your Use & Care manual, or ask your dealer.

Specifications are for planning purposes only. Refer to installation instructions and consult your countertop supplier prior to making counter opening. Consult with a heating and ventilation engineer for your specific ventilation requirements. For the most detailed information, refer to installation instructions accompanying product or write to Thermador indicating the model number. Specifications are correct at time of printing. Thermador reserves the right to change product specifications or design without notice. Some models are certified for use in Canada. Thermador is not responsible for products that are transported from the U.S. for use in Canada.