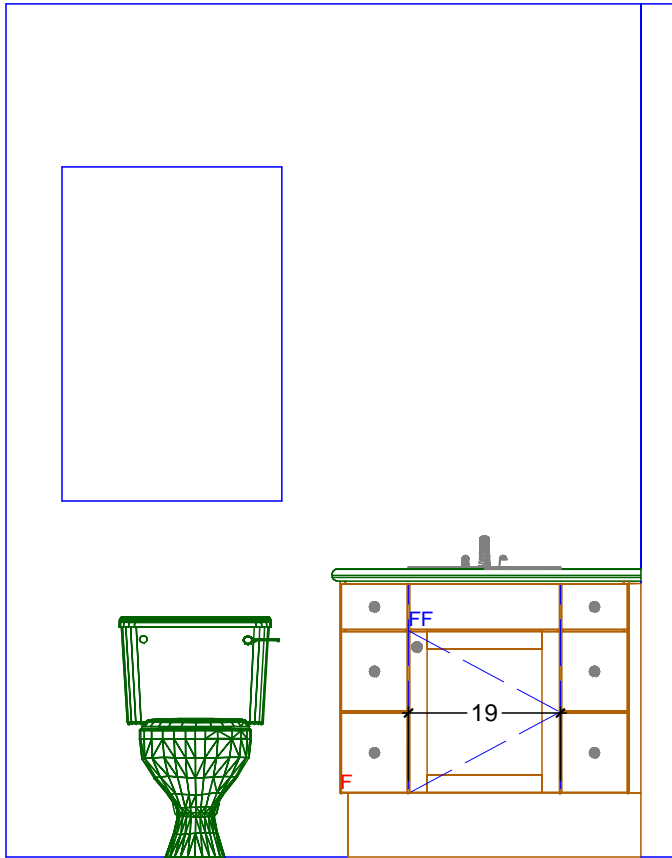


\*-7-\* 27 1/2 \* 44 7/8 \*

106 5/8  
70 5/8  
70 5/8  
1 1/2  
36  
26 1/2  
8

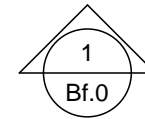
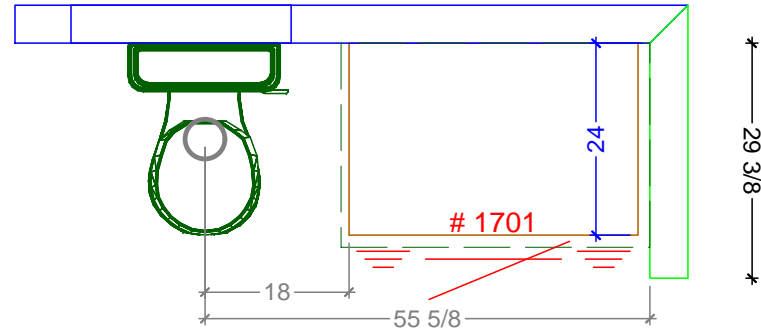
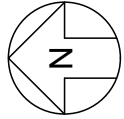


Vanity (#1701)

41 3/4 36 1/8 1 1/2  
79 3/8

1 FRONT BATHROOM ELEVATION - NORTH  
SCALE: 1/2" = 1' 0"

79 3/8  
\*7-\* 27 1/2 \* 44 7/8 \*  
41 3/4 36 1/8 1 1/2



FRONT BATHROOM FLOOR PLAN  
SCALE: 1/2" = 1' 0"

**Classic Bath Designs, Inc.**  
11544 Sheldon St., Sun Valley, CA 91352  
818.767.1144 fax: 818.767.1278



Cust: Forsyth for Almayo

PO# DWELLING

Scale: As Noted

FRONT BATH

Approved \_\_\_\_\_

Job: FL-S\_PreFIN/PG:perSample\_IntEB:PreFIN

Size: A

Dr By: Brian

04/19/2016

**Bf.0**



**Classic Bath Designs, Inc.**  
 11544 Sheldon St., Sun Valley, CA 91352  
 818.767.1144 fax: 818.767.1278



Cust: Forsyth for Almayo

PO# DWELLING

Scale: As Noted

FRONT BATH

Approved \_\_\_\_\_

Job: FL-S\_PreFIN/PG:perSample\_IntEB:PreFIN

Size: A

Dr By: Brian

04/19/2016

**Rndr**