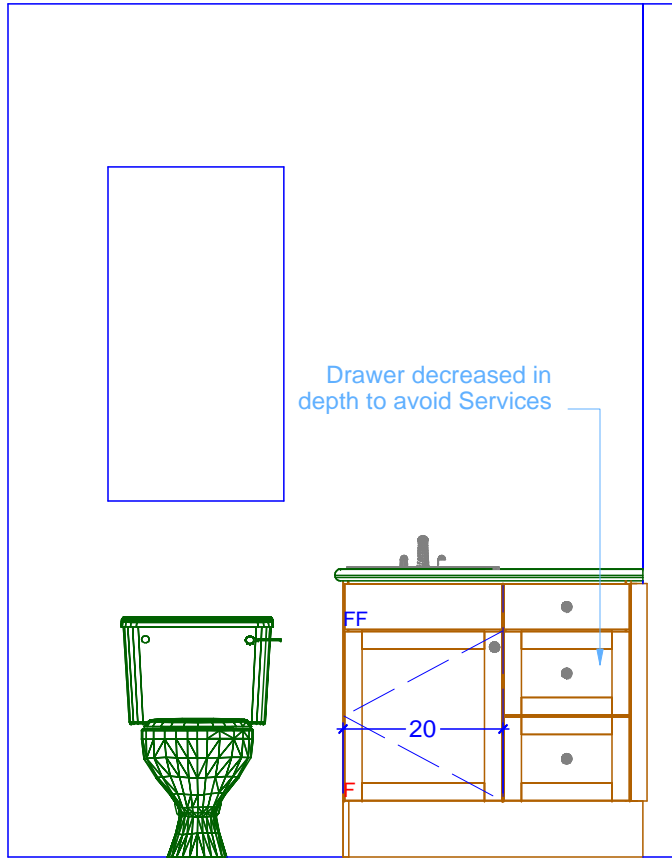


* 12 1/2 * 22 * 44 7/8 *

106 5/8
70 5/8
70 5/8
1 1/2
36
27 1/2
7



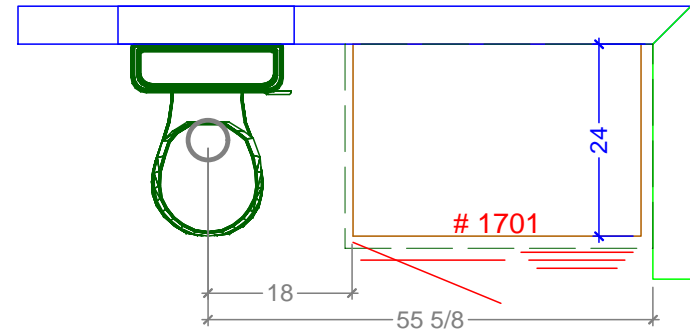
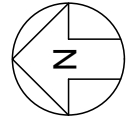
Drawer decreased in depth to avoid Services

Vanity (#1701)

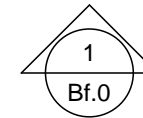
41 7/8 36 1 1/2
79 3/8

1 FRONT BATHROOM ELEVATION - NORTH
SCALE: 1/2" = 1' 0"

79 3/8
12 1/2 22 44 7/8 1 1/2
41 7/8 36



29 3/8



FRONT BATHROOM FLOOR PLAN
SCALE: 1/2" = 1' 0"

Classic Bath Designs, Inc.
11544 Sheldon St., Sun Valley, CA 91352
818.767.1144 fax: 818.767.1278



Cust: Forsyth for Almayo	Integral Kick	PO# DWELLING	Scale: As Noted	FRONT BATH	Bf.0
Approved _____	Job: FL-S_PreFIN/PG:perSample_IntEB:PreFIN	Size: A	Dr By: Brian	05/12/2016	



Cust: Forsyth for Almayo

PO# DWELLING

Scale: As Noted

FRONT BATH

Approved _____

Job: ~~FL-S~~ PreFIN/PG:perSample_IntEB:PreFIN

Size: A

Dr By: Brian

05/12/2016

Rndr