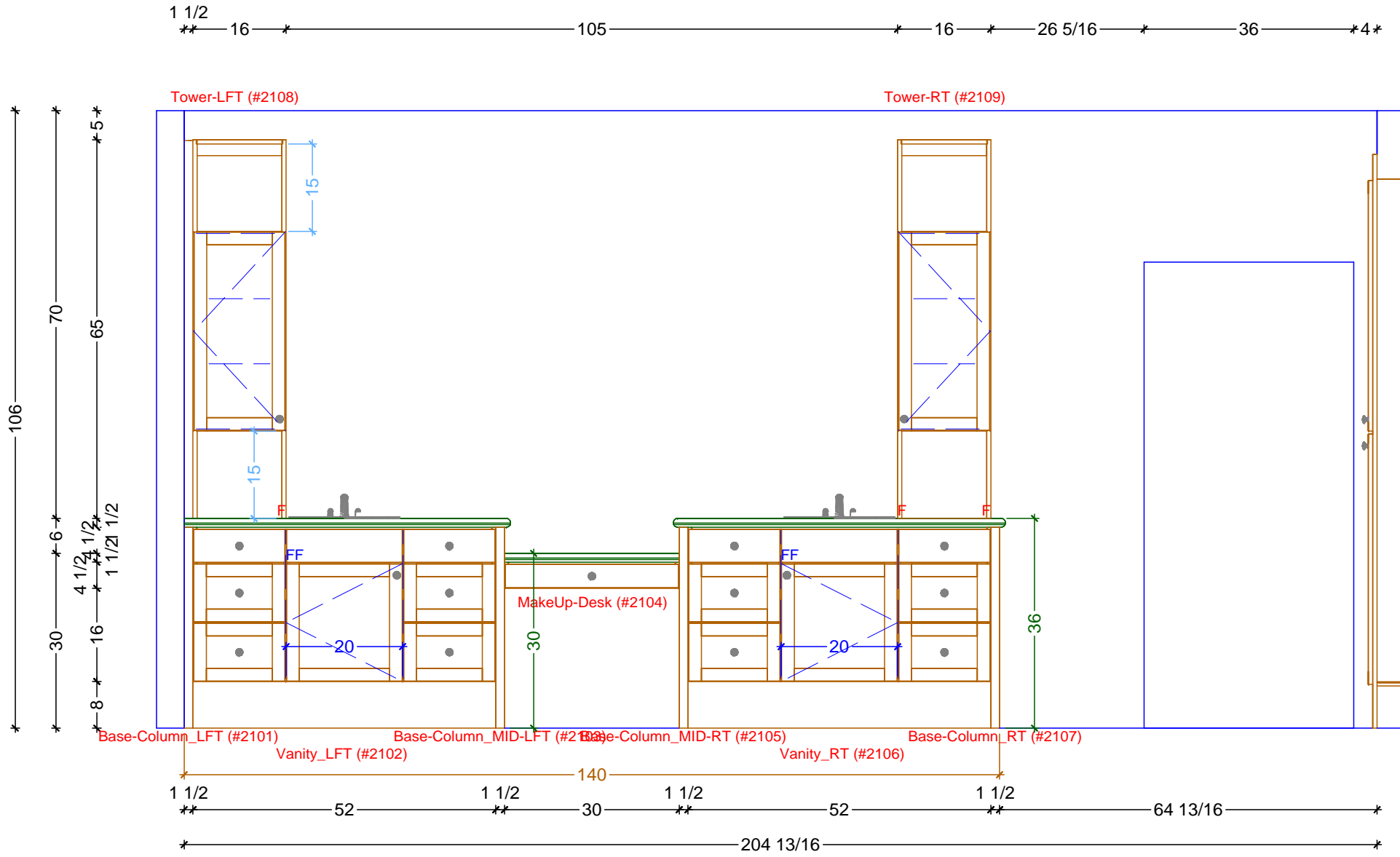


MASTER BATH FLOOR PLAN  
SCALE: 1/2" = 1' 0"

**Classic Bath Designs, Inc.**  
11544 Sheldon St., Sun Valley, CA 91352  
818.767.1144 fax: 818.767.1278

Cust: Forsyth for Almayo	PO# DWELLING	Scale: As Noted	MASTER BATHROOM	<b>Bm.0</b>
Approved _____	Job: FL-S_PreFIN/PG:perSample_IntEB:PreFIN	Size: A	Dr By: Brian 05/23/2016	

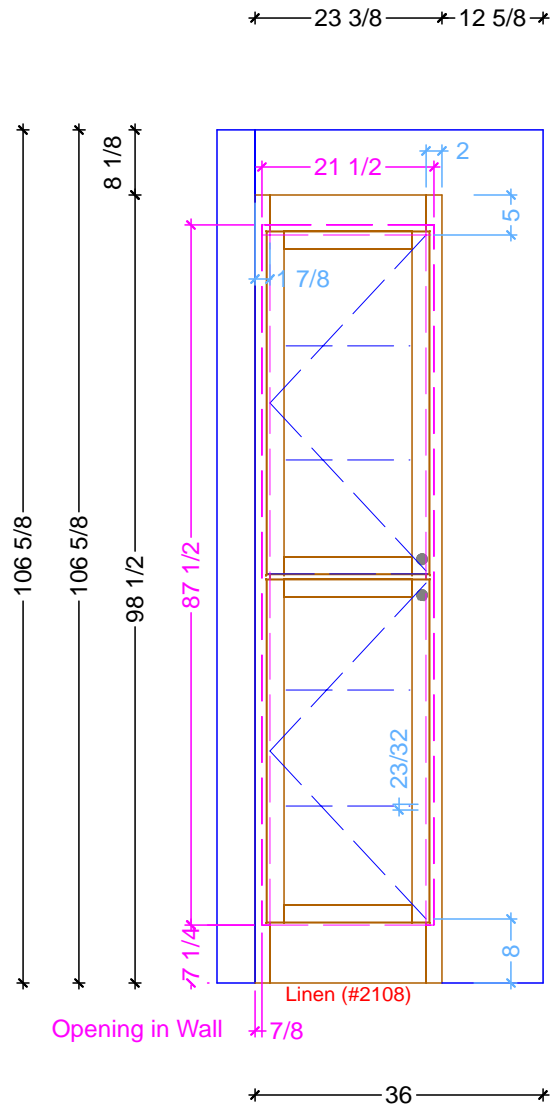


1 MASTER BATH ELEVATION - SOUTH WALL  
 SCALE: 1/2" = 1' 0"

**Classic Bath Designs, Inc.**  
 11544 Sheldon St., Sun Valley, CA 91352  
 818.767.1144 fax: 818.767.1278

Cust: Forsyth for Almayo	PO# DWELLING	Scale: As Noted	MASTER BATHROOM
Approved _____	Job: FL-S_PreFIN/PG:perSample_IntEB:PreFIN	Size: A	Dr By: Brian 05/23/2016

**Bm.1**



**1** MASTER BATH ELEVATION - WEST  
SCALE: 1/2" = 1' 0"



**Classic Bath Designs, Inc.**  
11544 Sheldon St., Sun Valley, CA 91352  
818.767.1144 fax: 818.767.1278



Cust: Forsyth for Almayo	PO# DWELLING	Scale: As Noted	MASTER BATHROOM
Approved _____	Job: FL-S_PreFIN/PG:perSample_IntEB:PreFIN	Size: A	Dr By: Brian    05/23/2016

**Bm.2**



**Classic Bath Designs, Inc.**  
 11544 Sheldon St., Sun Valley, CA 91352  
 818.767.1144 fax: 818.767.1278



Cust: Forsyth for Almayo

PO# DWELLING

Scale: As Noted

MASTER BATHROOM

Approved \_\_\_\_\_

Job: FL-S\_PreFIN/PG:perSample\_IntEB:PreFIN

Size: A

Dr By: Brian

05/23/2016

Rndr