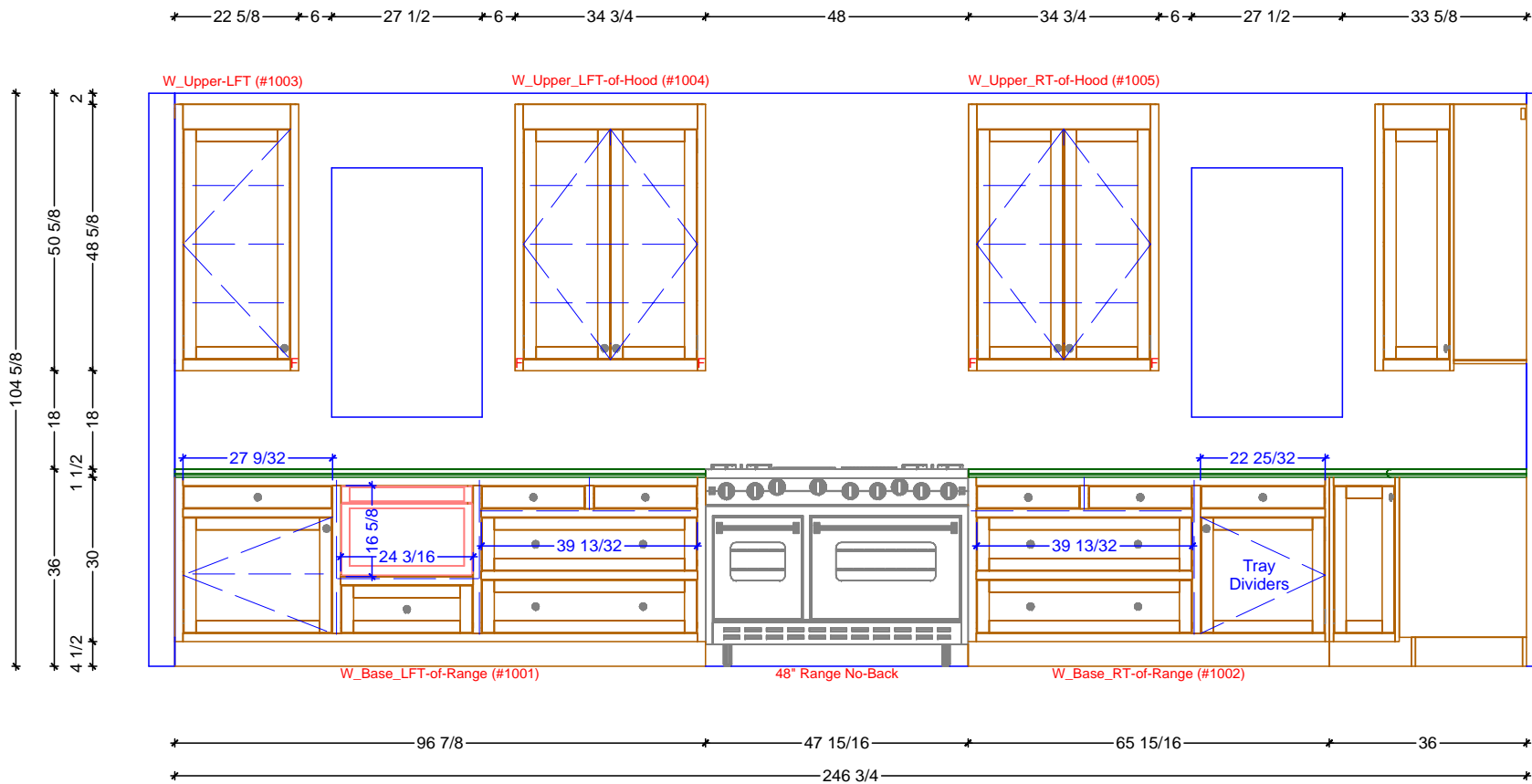


PROPOSED CABINERY FLOOR PLAN
SCALE: 1:40

Classic Bath Designs, Inc.
11544 Sheldon St., Sun Valley, CA 91352
818.767.1144 fax: 818.767.1278

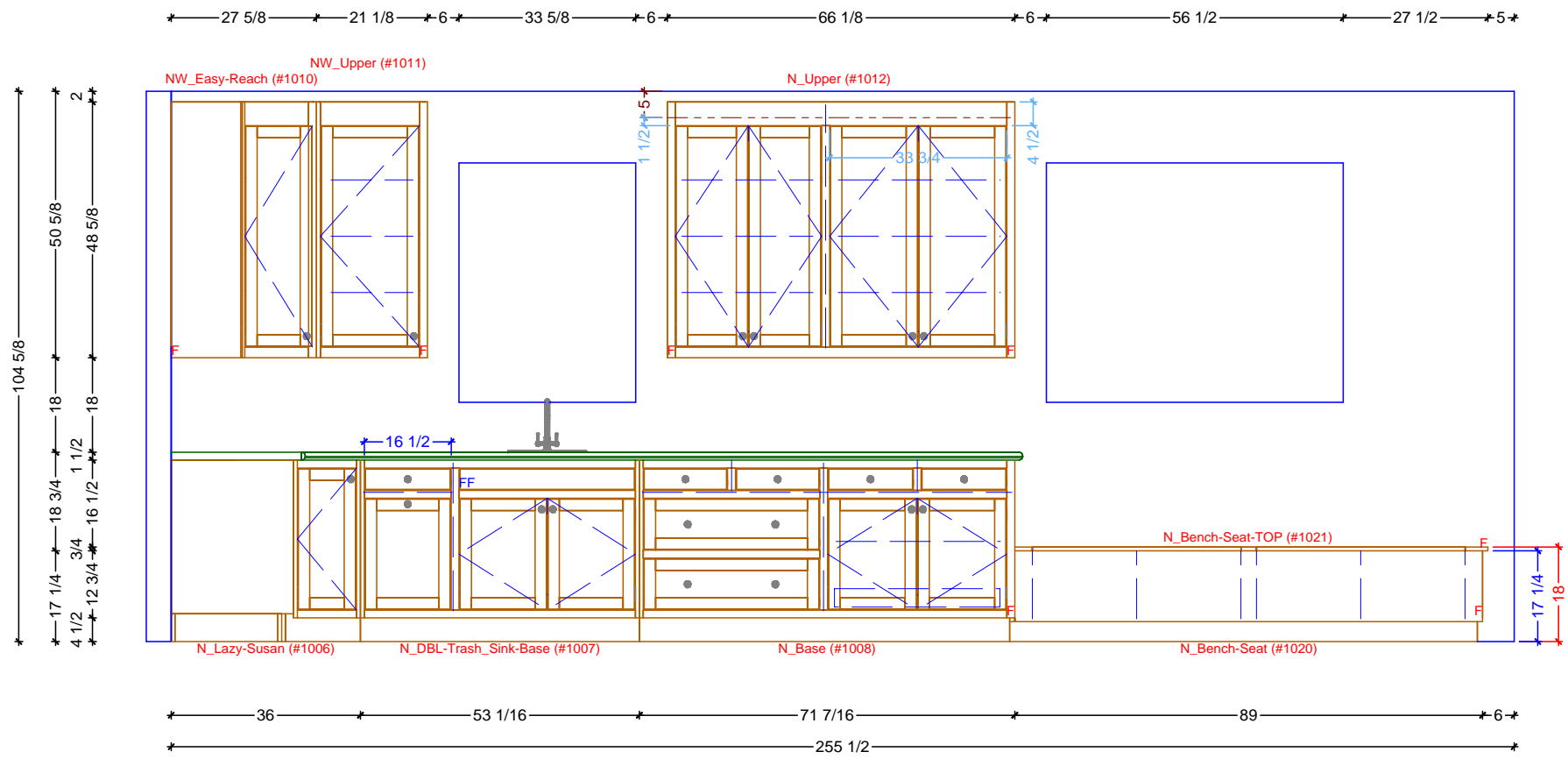
Cust: Forsyth for Almayo	PO# DWELLING	Scale: As Noted		KITCHEN	K.0
Job: FI-S_PreFIN/PG:perSample_IntEB:PreFIN		Dr By: Brian	Size: A	06/05/2016	
Approved _____					



1 KITCHEN ELEVATION - WEST
 SCALE: 1/2" = 1' 0"

Classic Bath Designs, Inc.
 11544 Sheldon St., Sun Valley, CA 91352
 818.767.1144 fax: 818.767.1278

Cust: Forsyth for Almayo	PO# DWELLING	Scale: As Noted	KITCHEN	K.2
Approved _____	Job: FI-S_PreFIN/PG:perSample_IntEB:PreFIN	Size: A	Dr By: Brian 06/05/2016	

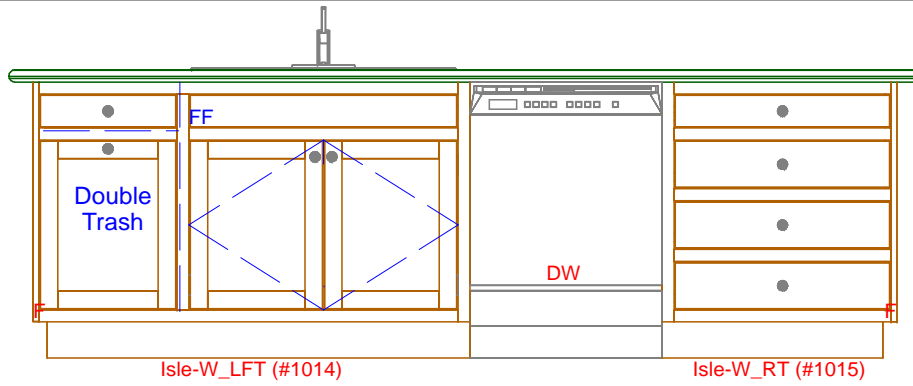


1 KITCHEN ELEVATION - NORTH
 SCALE: 1/2" = 1' 0"

Classic Bath Designs, Inc.
 11544 Sheldon St., Sun Valley, CA 91352
 818.767.1144 fax: 818.767.1278

Cust: Forsyth for Almayo	PO# DWELLING	Scale: As Noted	KITCHEN	K.3
Approved _____	Job: FI-S_PreFIN/PG:perSample_IntEB:PreFIN	Size: A	Dr By: Brian 06/05/2016	

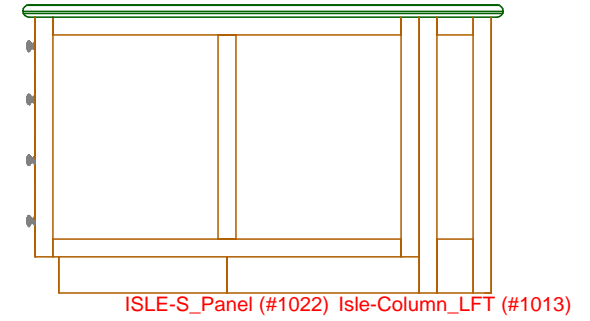
36
1 1/2
4 1/2



54 5/8 24 29 3/8
108

1 KITCHEN ISLE - FACING EAST
SCALE: 1/2" = 1' 0"

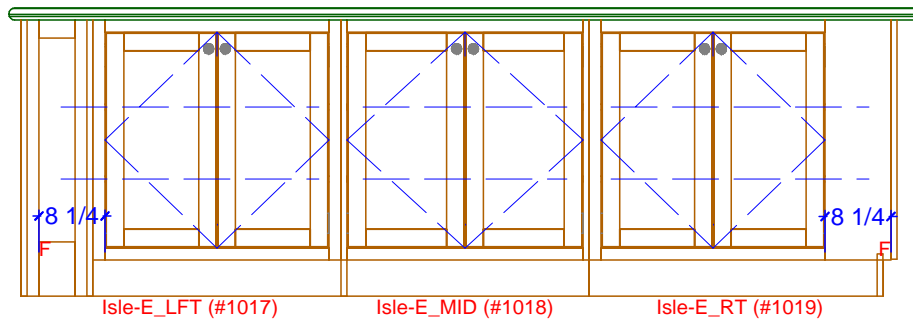
36
1 1/2
4 1/2



48 9

2 KITCHEN ISLE - FACING NORTH
SCALE: 1/2" = 1' 0"

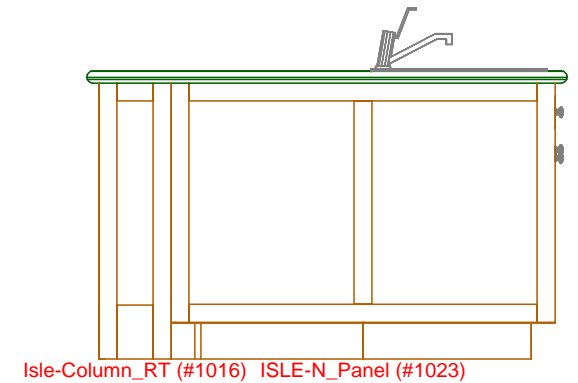
36
1 1/2
4 1/2



3/4 37 3/4 31 37 3/4 3/4
108

3 KITCHEN ISLE - FACING WEST
SCALE: 1/2" = 1' 0"

36
1 1/2
4 1/2



9 48

4 KITCHEN ISLE - FACING SOUTH
SCALE: 1/2" = 1' 0"

Classic Bath Designs, Inc.
11544 Sheldon St., Sun Valley, CA 91352
818.767.1144 fax: 818.767.1278



Cust: Forsyth for Almayo	PO# DWELLING	Scale: As Noted	KITCHEN	K.4
Approved _____	Job: FI-S_PreFIN/PG:perSample_IntEB:PreFIN	Size: A	Dr By: Brian 06/05/2016	



Classic Bath Designs, Inc.
 11544 Sheldon St., Sun Valley, CA 91352
 818.767.1144 fax: 818.767.1278



Cust: Forsyth for Almayo		PO# DWELLING	Scale: As Noted	KITCHEN	
Approved _____		Job: FI-S_PreFIN/PG:perSample_IntEB:PreFIN	Size: A	Dr By: Brian	06/05/2016

Rndr



Classic Bath Designs, Inc.
 11544 Sheldon St., Sun Valley, CA 91352
 818.767.1144 fax: 818.767.1278



Cust: Forsyth for Almayo		PO# DWELLING	Scale: As Noted	KITCHEN	Rndr
Approved _____	Job: FI-S_PreFIN/PG:perSample_IntEB:PreFIN	Size: A	Dr By: Brian	06/05/2016	