

24" Whole Bean,  
Plumbed Coffee System

CVA 6805



# Whole Bean Coffee System

## CVA 6805



### CVA 6805

#### Features:

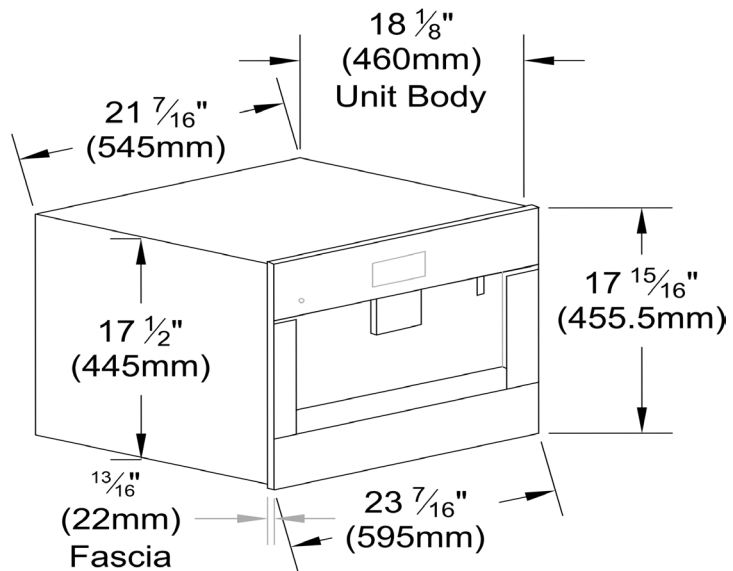
- M Touch innovative and revolutionary controls are both easy to operate and navigate. An intuitive swipe of the screen will quickly lead you to your desired selection
- OneTouch function prepares two hot beverages in succession when pressing the button twice
- OneTouch for Two operation dispenses two cappuccino or latté macchiato drinks, coffee or espresso simultaneously
- CupSensor recognizes the rim of the cup and alters the spout accordingly
- EasyClick Milk System simply clicks the milk reservoir into and out of place at the front of the machine
- Dishwasher-safe milk flask
- Automatic rinsing and cleaning programs
- Up to 10 user profiles
- The coffee pot function allows up to eight cups of coffee to be brewed at one time
- BrilliantLight
- Timer function
- Ground coffee chute for whole bean bypass
- Removable brew unit for easy cleaning
- Plumbed water connection

### SPECIFICATIONS

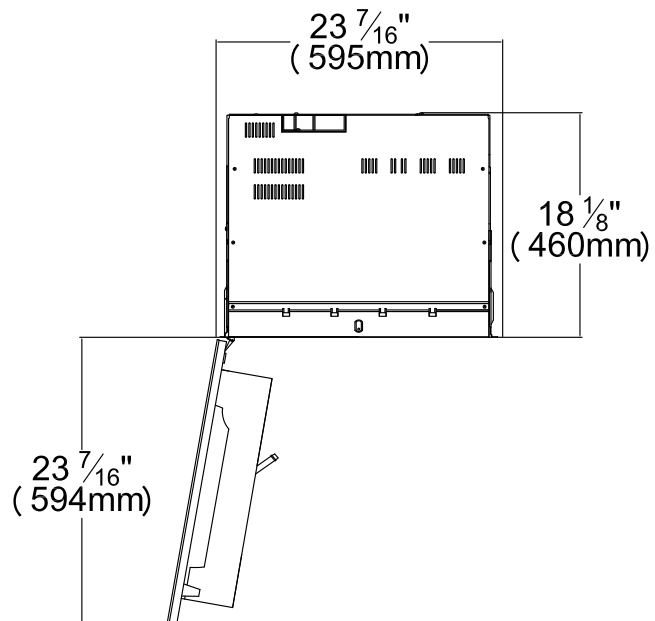
<b>CVA 6805 — Item 29680550USA</b>	
Overall Unit Width - Excluding Fascia Dimension	21 <sup>7</sup> / <sub>16</sub> " (545 mm)
Overall Height - Excluding Fascia Dimension	17 <sup>1</sup> / <sub>2</sub> " (445 mm)
Overall Unit Depth - Excluding Fascia Dimension	18 <sup>3</sup> / <sub>8</sub> " (460 mm)
Depth with Door Open	41 <sup>1</sup> / <sub>2</sub> " (1054 mm)
Overall Fascia Dimensions	23 <sup>7</sup> / <sub>16</sub> " (595 mm) W x 17 <sup>15</sup> / <sub>16</sub> " (455.5 mm) H x 1 <sup>3</sup> / <sub>16</sub> " (22 mm) D
<b>Built-In</b>	
Minimum Cabinet Width	22 <sup>1</sup> / <sub>16</sub> " (560 mm)
Minimum Cabinet Depth	21 <sup>5</sup> / <sub>8</sub> " (550 mm)
Minimum Cabinet Opening Height	17 <sup>11</sup> / <sub>16</sub> " (450 mm)
Minimum Base Support	62 lbs
Additional Cut-outs Required	Venting and Plumbing: 19 <sup>11</sup> / <sub>16</sub> " (500 mm) x 1 <sup>9</sup> / <sub>16</sub> " (40 mm) or 78 <sup>3</sup> / <sub>4</sub> " in <sup>2</sup> (200 cm <sup>2</sup> )
<b>Plumbing</b>	Do not Connect to Reverse Osmosis (RO) System
Water Supply Requirements	Connect to a cold water supply only. Must be connected to a shut-off valve. The water shut-off valve must be accessible after installation. The water pressure must be between 14.5 psi (1 bar) and may not exceed 145 psi (10 bar). If the pressure is higher than 145 psi (10 bar), a pressure reducing valve must be installed.
Water Connection Line	<sup>3</sup> / <sub>4</sub> " BSP to <sup>3</sup> / <sub>8</sub> " Compression fitting is supplied. Suitable 1/4" O.D flexible water line or copper piping is not supplied. Maximum water line length 4'11" (1.5 m).
<b>Electrical</b>	
Electrical Requirements	120V, 60Hz, 15A
Power Cord	Molded NEMA 5-15A plug, 6 ft (1.8 m)
<b>Shipping</b>	
Shipping Weight	70 lbs
Shipping Dimensions	23 <sup>5</sup> / <sub>8</sub> " W x 22 <sup>1</sup> / <sub>16</sub> " H x 26" L
<b>Support</b>	
Call Miele	800.843.7231
Miele Website	<a href="http://www.mieleusa.com">www.mieleusa.com</a>
20/20 Link	<a href="http://2020technologies.com">2020technologies.com</a>

PRODUCT VIEWS

Isometric View



Top View, Door Open

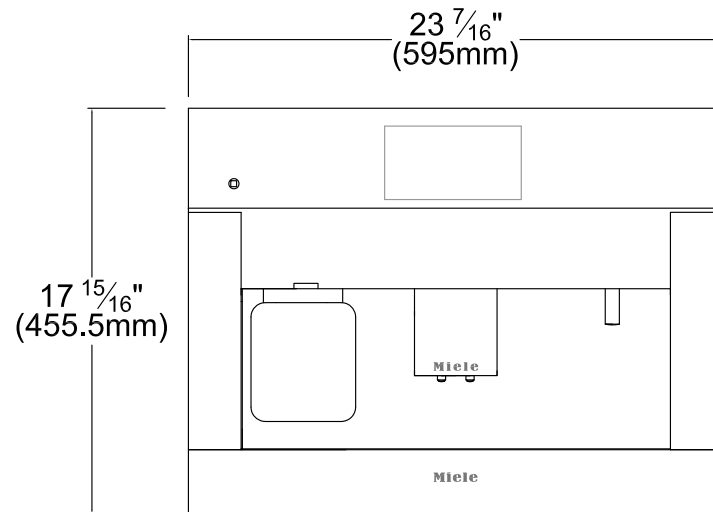


# Whole Bean Coffee System CVA 6805

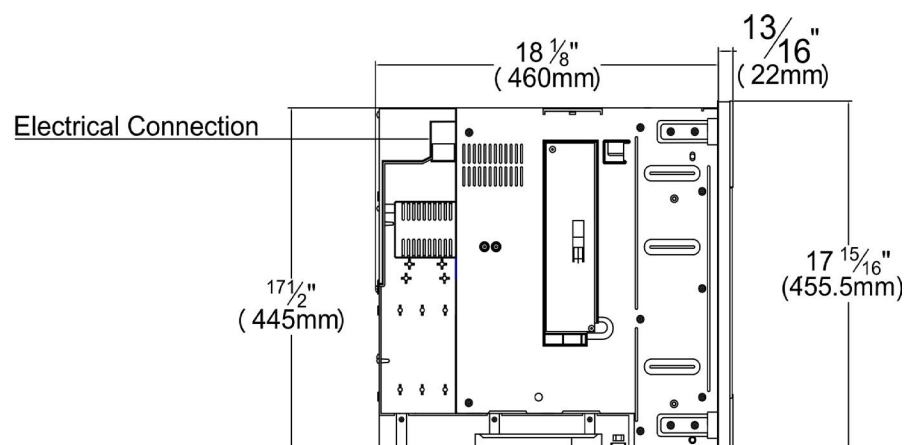


## PRODUCT VIEWS

### Front View

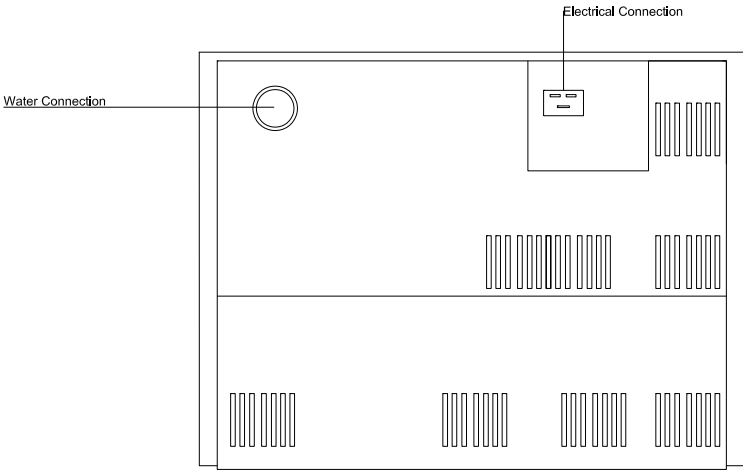


### Side View

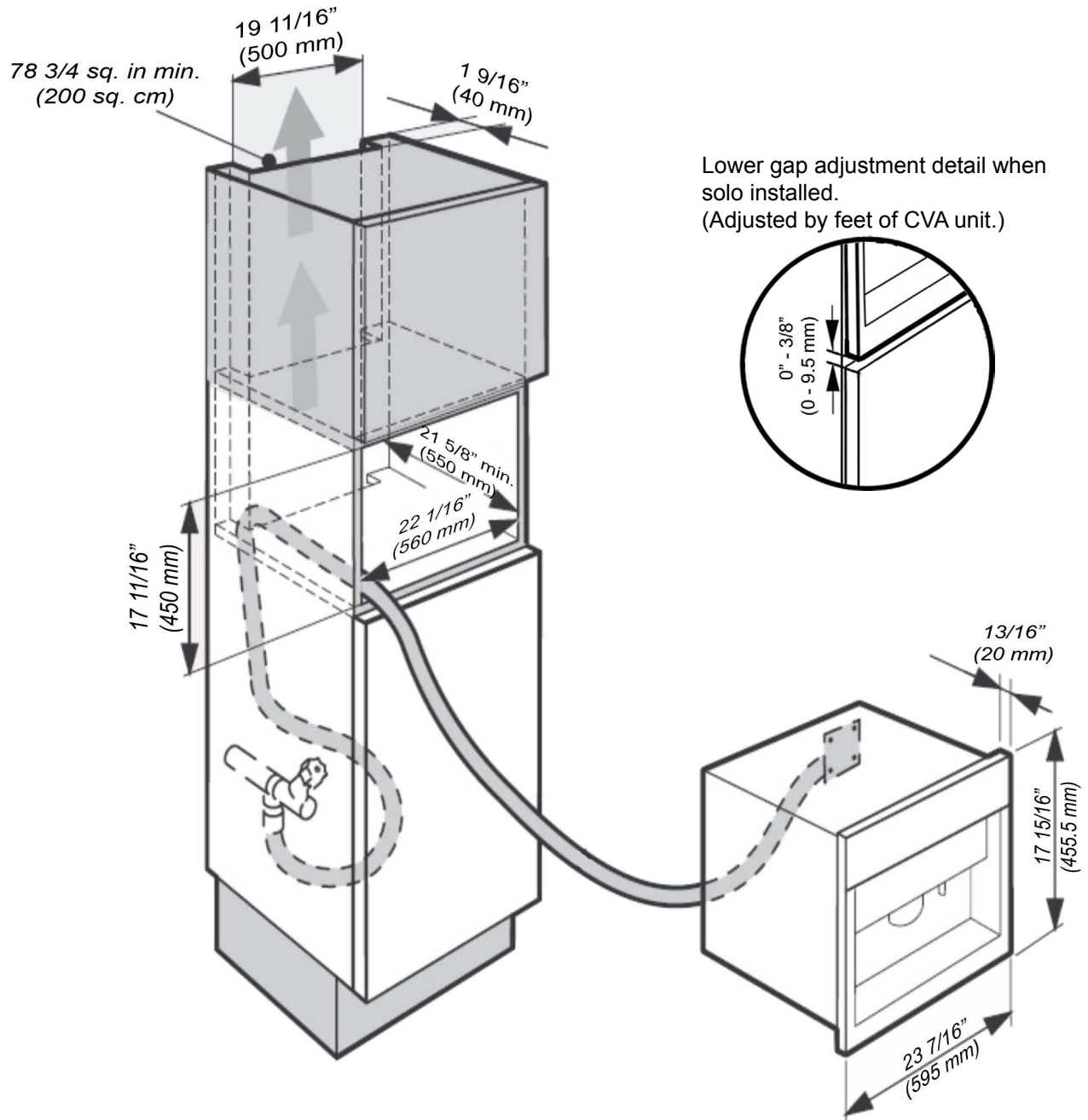


PRODUCT VIEWS

Rear View



INSTALLATION SPECIFICATIONS

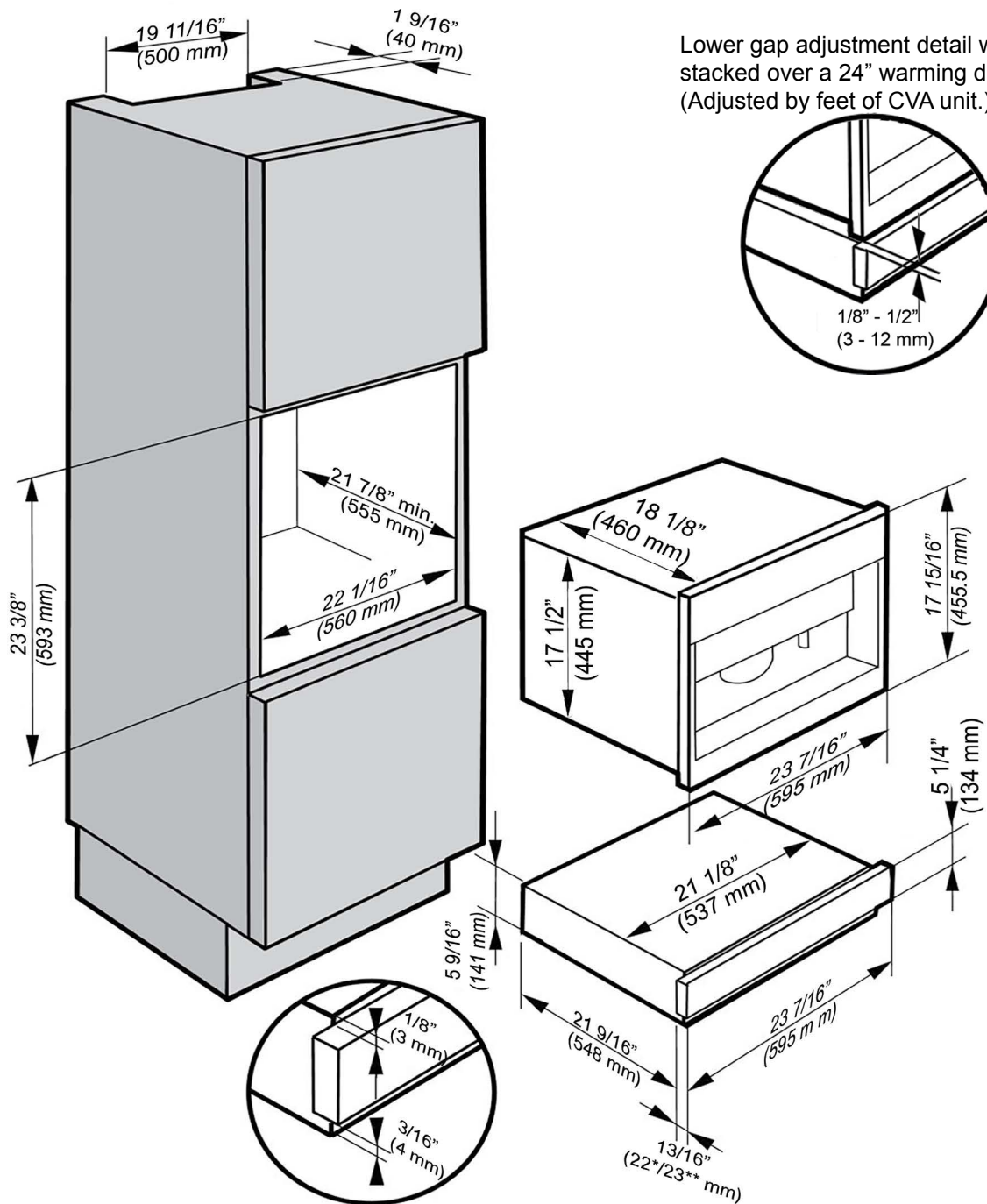


**PLEASE NOTE:** The vent cut out must only be at the top of the niche to prevent condensation inside the door and inner components that the customer can see when opening the door.

# Whole Bean Coffee System CVA 6805



## INSTALLATION IN COMBINATION WITH WARMING DRAWER



**PLEASE NOTE:** The vent cut out must only be at the top of the niche to prevent condensation inside the door and inner components that the customer can see when opening the door.