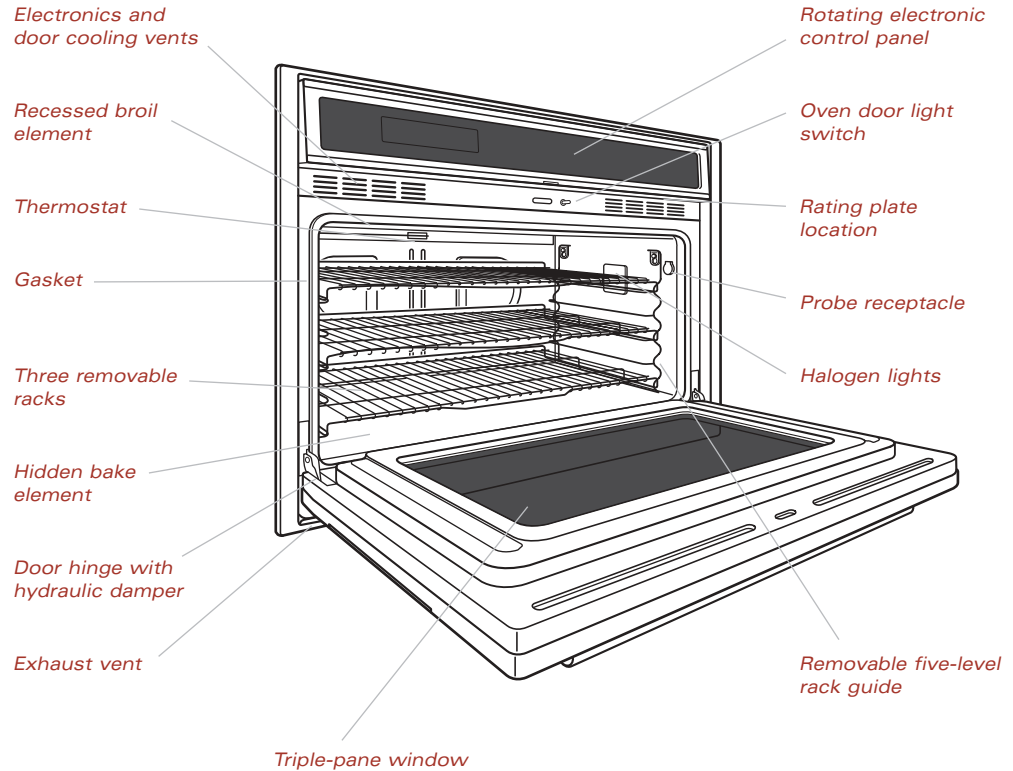


36" (914) Built-In Single Oven
MODEL SO36U



Model SO36U
Unframed



► The Wolf Model SO36U unframed 36" (914) built-in single oven is available in classic, platinum or carbon stainless steel finish.



This appliance is certified by Star-K to meet strict religious regulations in conjunction with specific instructions found on www.star-k.org.

It's hard to put into a few words the differences you will see in Wolf compared to other cooking appliances. Some of those differences are very dramatic and some are very subtle. Suffice to say that you and your clients will notice the differences.

One of the more prominent highlights is the Wolf Dual Convection System that is in all of our built-in ovens. It delivers even temperature and airflow throughout the oven. Two fans and four heating elements operate either simultaneously or in sequence, depending on which one of the eight different cooking modes your client chooses. The cooking modes include bake, roast, broil, convection bake, convection roast, convection broil, convection and bake stone. Bake stone mode requires a bake stone accessory, available from your Wolf dealer.

Let Wolf, the corporate companion and kitchen soul mate of Sub-Zero, fuel your passion for cooking and kitchen design.

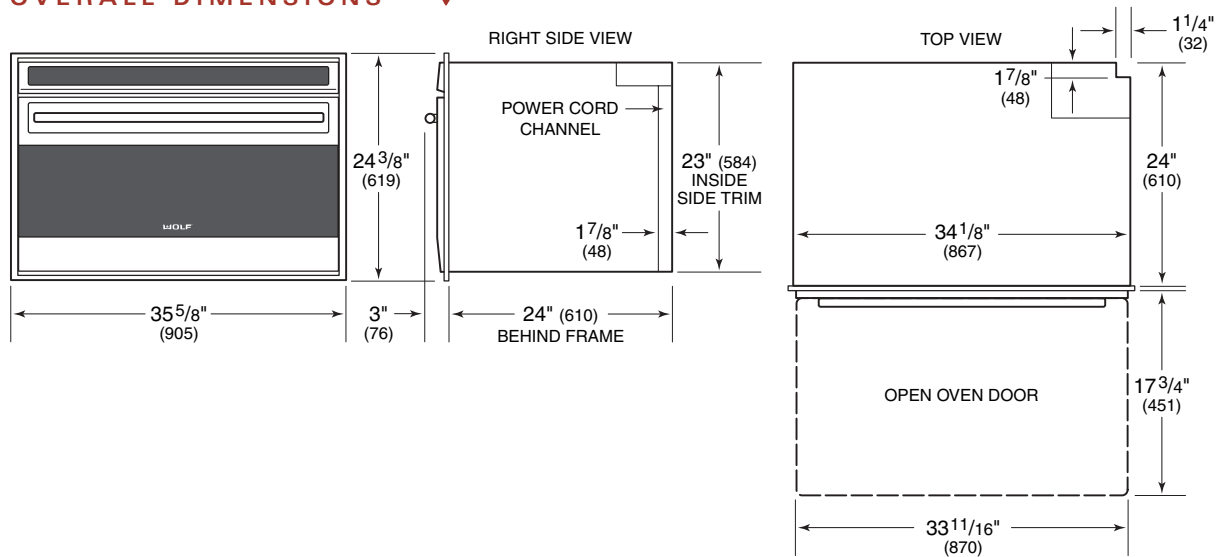
36" (914) Built-In Single Oven

MODEL SO36U

FEATURES

- ▶ Dual convection logic control system
- ▶ Eight cooking modes—bake, roast, broil, convection bake, convection roast, convection broil, convection and bake stone (with bake stone accessory)
- ▶ Rotating glass touch control panel
- ▶ Cobalt blue porcelain oven interior
- ▶ Three removable racks with full-extension bottom rack and removable six-level rack guide
- ▶ Large viewing triple-pane window
- ▶ Dual interior halogen lighting
- ▶ Hidden bake element
- ▶ Recessed broil element
- ▶ Temperature probe and receptacle
- ▶ Proof feature and dehydration feature (accessory required)
- ▶ Self-clean, delayed start and sabbath feature
- ▶ Door hinge with hydraulic damper assures smooth opening and closing of the door
- ▶ Factory installed trim
- ▶ Certified by Star-K to meet religious regulations
- ▶ CSA certified for US and Canada
- ▶ Two and five year residential warranty - exclusions apply; warranty information can be found on our website, wolfappliance.com

OVERALL DIMENSIONS ▼



Dimensions may vary by ±1/8" (3).

Dimensions in parentheses are in millimeters unless otherwise specified.

36" (914) Built-In Single Oven

MODEL SO36U



Model SO36U
Unframed

MODEL OPTIONS ▼

Unframed Door Style -

Classic Stainless Steel	SO36U/S
Platinum Stainless Steel	SO36U/P
Carbon Stainless Steel	SO36U/B

ACCESSORIES

- ▶ Bake stone accessory, includes stone, rack and peel
- ▶ Two-piece broiler pan and temperature probe
- ▶ Set of three 36" (914) oven racks
- ▶ Dehydration racks with door stop

Accessories are available through your Wolf dealer. To obtain local dealer information, visit the Locator section of our website, wolfappliance.com.

SPECIFICATIONS ▼

Overall Oven Width	35 ⁵ / ₈ " (905)
Overall Oven Height	24 ³ / ₈ " (619)
Overall Oven Depth	24" (610)
Open Oven Door Clearance	17 ³ / ₄ " (451)
Usable Oven Interior Capacity*	2.7 cu ft (96 L)
Oven Interior Dimensions	26 ¹ / ₂ " W x 13 ¹ / ₄ " H x 16 ³ / ₈ " D (673 x 337 x 416)
Recommended Cabinet Width	39" (991)
Minimum Cabinet Width	36" (914)
Minimum Cabinet Depth	24" (610)
Minimum Base Support	250 lbs (113 kg)
Electrical Supply Requirements	240/208 V AC, 60 Hz 30 amp dedicated circuit
Conduit	3 ft (.9 m) flexible 4-wire
Electric Rating	5.1 kW at 240 V 3.8 kW at 208 V
Total Amps	21
Shipping Weight	288 lbs (131 kg)

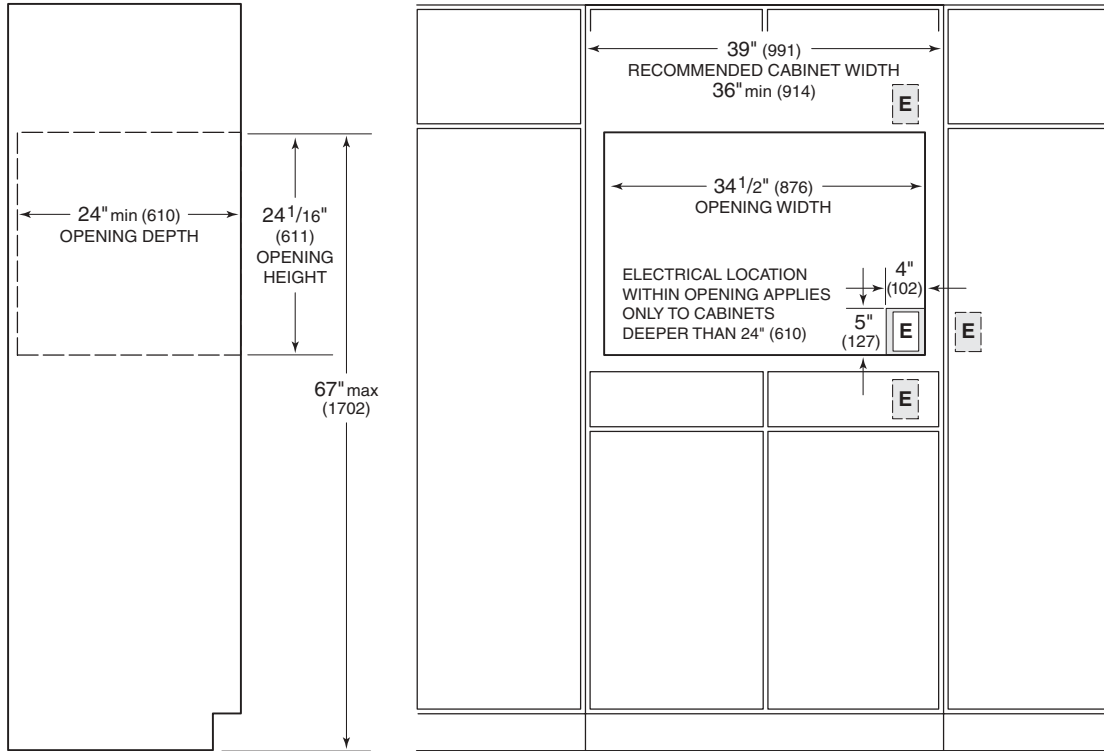
**Oven capacity is calculated using new AHAM standards (AHAM OV-1-2005).*

Specifications are subject to change without notice.

36" (914) Built-In Single Oven
MODEL SO36U

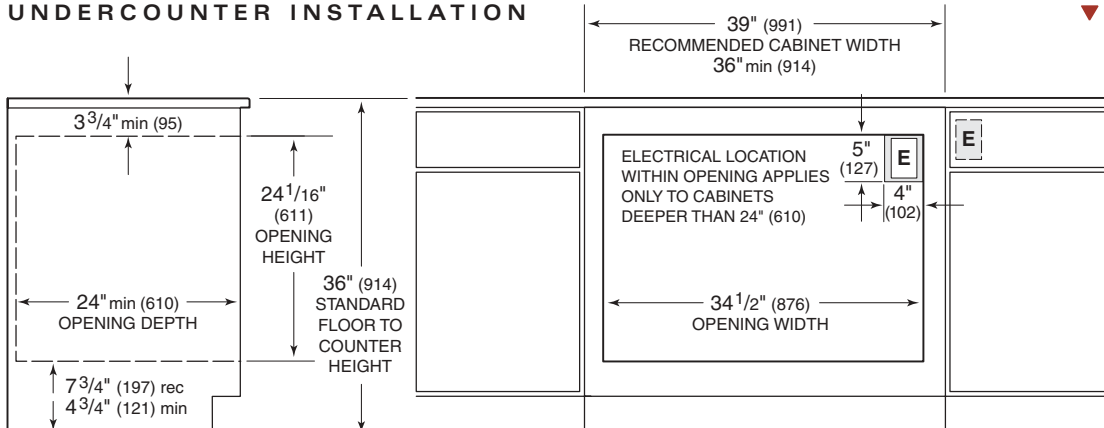
INSTALLATION SPECIFICATIONS

WALL INSTALLATION



IMPORTANT NOTE: Unless you are using cabinets deeper than 24" (610), it is recommended that the electrical supply be placed in an adjacent cabinet within reach of the conduit. Choose the location shown in the illustrations that best suits your installation.

UNDERCOUNTER INSTALLATION



Dimensions in parentheses are in millimeters unless otherwise specified.

36" (914) Built-In Single Oven

MODEL SO36U

INSTALLATION NOTES

- ▶ Refer to the illustrations and specifications for overall dimensions, finished rough opening dimensions and installation specifics.
- ▶ Wolf recommends using 39" (991) cabinets with the 36" (914) built-in oven for ease of installation. You will need a minimum 24" (610) of usable cabinet depth. The cabinet must be able to support 250 lbs (113 kg).
- ▶ Wolf built-in ovens have a face trim on all four sides and will overlap stiles and rails. The trim overlaps $\frac{1}{8}$ " (3) on the bottom, $\frac{3}{16}$ " (5) on the top and $\frac{3}{4}$ " (19) on each side.
- ▶ The 36" (914) built-in oven requires a separate, grounded 4-wire 240/208 V AC, 60 Hz, 30 amp service with its own circuit breaker. It is provided with a 3' (.9 m) flexible 4-wire conduit for connection at the electrical supply.

IMPORTANT NOTE: Unless you are using cabinets deeper than 24" (610), it is recommended that the electrical supply be placed in an adjacent cabinet within reach of the conduit. A 2" (51) diameter hole to route the conduit through cabinetry will be required. Refer to the illustrations on page 4 for location of electrical supply.

- ▶ The Wolf 36" (914) single oven may be installed below a Wolf 36" (914) electric or gas cooktop or 30" (762) framed electric cooktop. Unless you are using cabinets deeper than 24" (610), it is recommended that the electrical supply for the oven and the electrical and gas supply for the cooktop be located in the adjacent right side cabinet. For additional specifications, refer to the Electric Cooktops and Gas Cooktops sections of our website, wolfappliance.com.

IMPORTANT NOTE: A built-in oven cannot be installed below a Wolf rangetop.

- ▶ The Wolf 36" (914) single oven may be installed in combination with a Wolf microwave and warming drawer.
- ▶ A Wolf 36" (914) single oven may be installed next to another 36" (914) oven. You must allow for a 2 $\frac{1}{2}$ " (64) space between the oven rough openings. Also, a separate inner wall is required for each oven between openings.
- ▶ A Wolf 36" (914) single oven may be installed above another 36" (914) oven. You must allow enough space between the oven rough openings to accommodate a base support for the top oven. Each base cabinet support must be able to support 250 lbs (113 kg).
- ▶ You must follow all National Electrical Code regulations. In addition, be aware of local codes and ordinances when installing your service.
- ▶ Refer to the installation instructions shipped with each Wolf product for detailed specifications.

DIMENSIONS

Rough Opening Width	34 $\frac{1}{2}$ (876)
Rough Opening Height	24 $\frac{1}{16}$ " (611)
Recommended Cabinet Width	39" (991)
Minimum Cabinet Width	36" (914)
Minimum Cabinet Depth	24" (610)

See Installation Instructions shipped with unit for detailed specifications.