



WOLF BUILT-IN OVENS

It's hard to put into a few words the differences you will see in the Wolf built-in ovens compared to others on the market. Some of those differences are very dramatic, like the three finishes offered. There is the standard classic stainless steel along with two premium finishes offered in platinum and carbon stainless steel.

The platinum look lets you have the beauty of stainless steel without the sheen and reduces the number of fingerprints, whereas the carbon stainless steel is unlike any other black appliance you have experienced.

Look closer and you will see two different door styles offered—framed and unframed. The framed is more traditional and lends itself nicely with a professional rangetop, while the unframed is sleek and contemporary in appearance.

Did you notice that the control panel closes? It's an attractive feature and will enable you to hide that control panel that many of us have labored to make functional and tried to make beautiful.

Inside, the beauty, design and functionality continue. Brilliant halogen lights illuminate the beautiful blue interior. As you open the oven door, feel the smoothness of the door damper system. Pull that bottom oven rack all the way out and notice how it is nestled on the door rails. With the dual convection fans, all models offer eight different cooking modes.



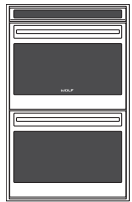
Model SO30F



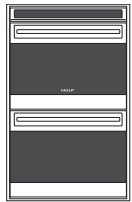
Model SO30U



Model SO36U



Model DO30F



Model DO30U

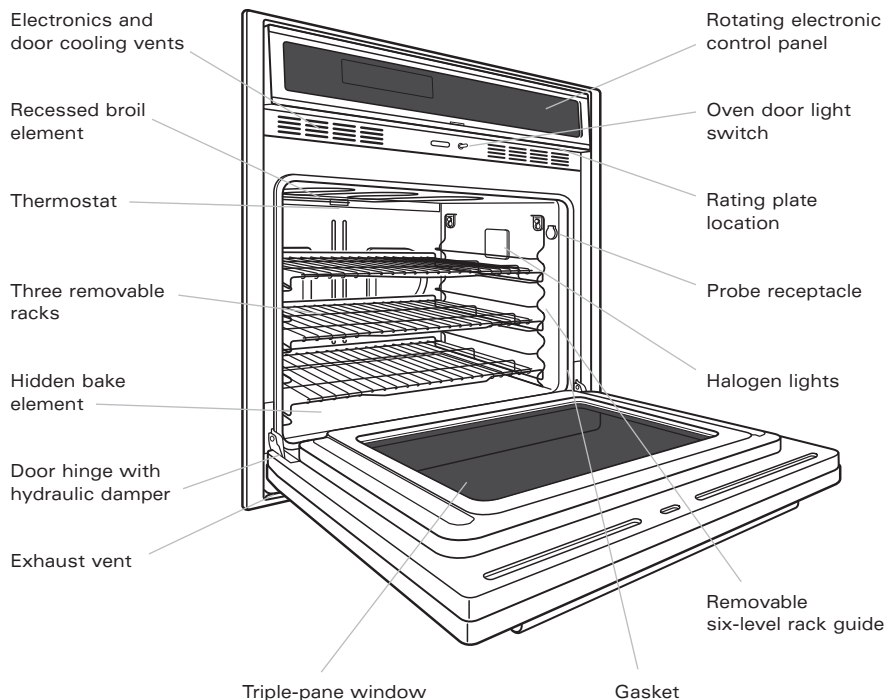
FEATURES

- Dual** convection logic control system
- Eight** cooking modes
- Rotating** glass touch control panel
- Cobalt** blue porcelain oven interior
- Three** removable racks, six-level rack guide and full-extension bottom rack—five-level rack guide for 36" (914) oven
- Large** viewing triple-pane window
- Dual** interior halogen lighting
- Hidden**, dual-ribbon bake element
- Recessed** broil element
- Temperature** probe and receptacle
- Proof** feature and dehydration feature (accessory required)
- Self-clean**, delayed start and sabbath feature
- Door** hinge with hydraulic damper assures smooth opening and closing of the door
- Factory-installed** trim
- CSA** certified for US and Canada



BUILT-IN OVEN FEATURES

Model SO30F/S shown



COOKING MODES

- Bake**
- Roast**
- Broil**
- Convection Bake**
- Convection Roast**
- Convection Broil**
- Convection**
- Bake Stone***

**Accessory required.*



PLANNING INFORMATION

While you have many design options to consider from a selection point of view, there are only three different sizes to consider when planning for your layout. You can choose either a 30" (762) or 36" (914) single oven or a 30" (762) double oven.

For ease of installation, Wolf recommends using 33" (838) wide cabinets with 30" (762) ovens and 39" (991) wide cabinets with the 36" (914) oven. You will need a minimum 24" (610) of usable cabinet depth. The cabinet must be able to support 250 lbs (113 kg) for a single oven and 400 lbs (181 kg) for a double oven.

Wolf built-in ovens have a face trim on all four sides and will overlap stiles and rails. The trim overlaps 1/8" (3) on the bottom, 3/16" (5) on the top and 3/4" (19) on each side.

Specifications on the following pages provide overall dimensions, rough openings and installation specifics for the three different oven sizes. We have minimized the information contained in the illustrations, concentrating on the critical information you must plan into your installation.

A Wolf single oven may be installed below an electric or gas cooktop. Wolf built-in ovens are designed and agency approved for installation with Wolf cooktops only. Refer to the electric and gas cooktops sections for additional specifications. A built-in oven cannot be installed below a Wolf rangetop.

ELECTRICAL REQUIREMENTS

Single ovens require a separate, grounded 4-wire 240/208 V AC, 60 Hz, 30 amp service with its own circuit breaker. Double ovens require a separate, grounded 4-wire 240/208 V AC, 60 Hz, 50 amp service with its own circuit breaker.

IMPORTANT NOTE: Unless you are using cabinets deeper than 24" (610), it is recommended that the electrical supply be placed in an adjacent cabinet within reach of the conduit. A 2" (51) diameter hole to route the conduit through cabinetry will be required. Refer to the Installation Specifications illustrations on the following pages for location of the electrical supply.

You must follow all National Electrical Code regulations. In addition, be aware of local codes and ordinances when installing your service.

WOLF WARRANTY

Wolf products are covered by a two and five year residential warranty (exclusions apply). See warranty details at the end of this guide.

ACCESSORIES

Optional accessories are available through your Wolf dealer. To obtain local dealer information, visit the Locator section of our website, wolfappliance.com.

MODEL OPTIONS

Built-In Ovens

30" (762) Single Oven - Framed

Classic Stainless **SO30F/S**

30" (762) Single Oven - Unframed

Classic Stainless **SO30U/S**

Platinum Stainless **SO30U/P**

Carbon Stainless **SO30U/B**

36" (914) Single Oven - Unframed

Classic Stainless **SO36U/S**

Platinum Stainless **SO36U/P**

Carbon Stainless **SO36U/B**

30" (762) Double Oven - Framed

Classic Stainless **DO30F/S**

30" (762) Double Oven - Unframed

Classic Stainless **DO30U/S**

Platinum Stainless **DO30U/P**

Carbon Stainless **DO30U/B**

Stainless steel finishes.

This appliance must be installed in accordance with National Electrical Code regulations, as well as all state, municipal and local codes. The correct voltage, frequency and amperage must be supplied to the appliance from a dedicated, grounded circuit that is protected by a properly sized circuit breaker or time delay fuse. The proper voltage, frequency and amperage ratings are listed on the model/serial rating plate.

ACCESSORIES

Contact your Wolf Dealer

Bake stone accessory, includes stone, rack and peel

Additional oven racks

Two-piece broiler pan and temperature probe

Dehydration racks with door stop

Dimensions in parentheses are in millimeters unless otherwise specified.

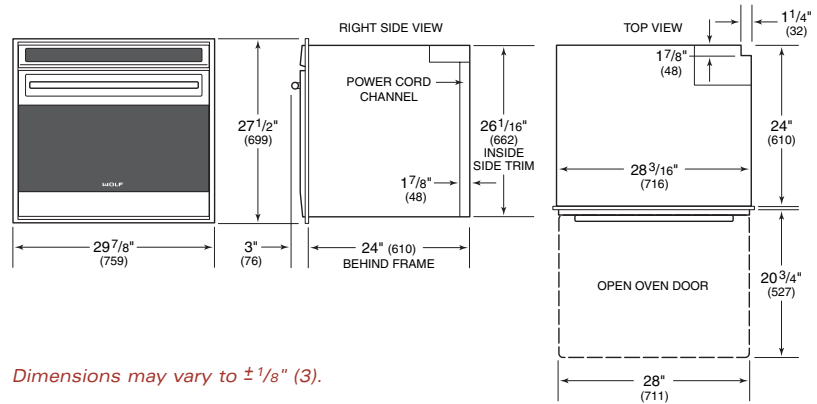


OVERALL DIMENSIONS
30" (762) Built-In Single Oven

SPECIFICATIONS

30" (762) Built-In Single Oven

Overall Width	29 ⁷ / ₈ " (759)
Overall Height	27 ¹ / ₂ " (699)
Overall Depth	24" (610)
Door Clearance	20 ³ / ₄ " (527)
Oven Interior Capacity	
Overall	4.5 cu ft (127 L)
Usable	3.4 cu ft (96 L)
Interior Dimensions (W x H x D)	21 ¹ / ₂ " x 16 ¹ / ₂ " x 16 ³ / ₈ " (546 x 419 x 416)
Rec Cabinet Width	33" (838)
Min Cabinet Width	30" (762)
Min Cabinet Depth	24" (610)
Min Base Support	250 lbs (113 kg)
Opening Width	28 ¹ / ₂ " (724)
Opening Height	27 ³ / ₁₆ " (691)
Electrical Supply	240/208 V AC, 60 Hz 30 amp dedicated circuit
Conduit	4' (1.2 m) flexible 4-wire
Electrical Rating	5.1 kW at 240 V 3.8 kW at 208 V
Total Amps	21
Shipping Weight	273 lbs (124 kg)

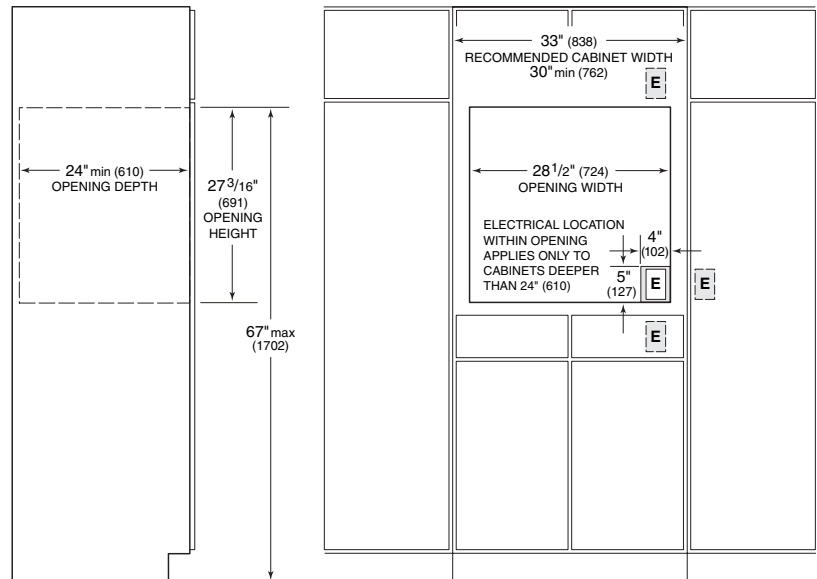


Dimensions may vary to ±1/8" (3).

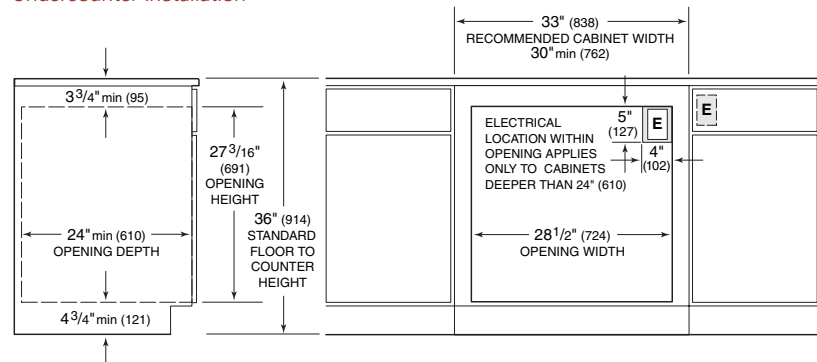
INSTALLATION SPECIFICATIONS

30" (762) Built-In Single Oven

Wall Application



Undercounter Installation



INSTALLATION OPTIONS

The Wolf 30" (762) single oven may be installed below a Wolf 30" (762) electric or gas cooktop. Unless you are using cabinets deeper than 24" (610), it is recommended that the electrical supply be placed in the base cabinet to the right of the oven within reach of the conduit. The Wolf 30" (762) single oven may also be installed below a Wolf 36" (914) electric or gas cooktop.

The Wolf 30" (762) single oven may be installed in combination with a Wolf microwave and warming drawer. Refer to page 37 for specifications.

A Wolf 30" (762) single oven may be installed next to another 30" (762) single oven. You must allow for a 2¹/₂" (64) space between the oven rough openings. Also, a separate inner wall is required for each oven between openings.

INSTALLATION

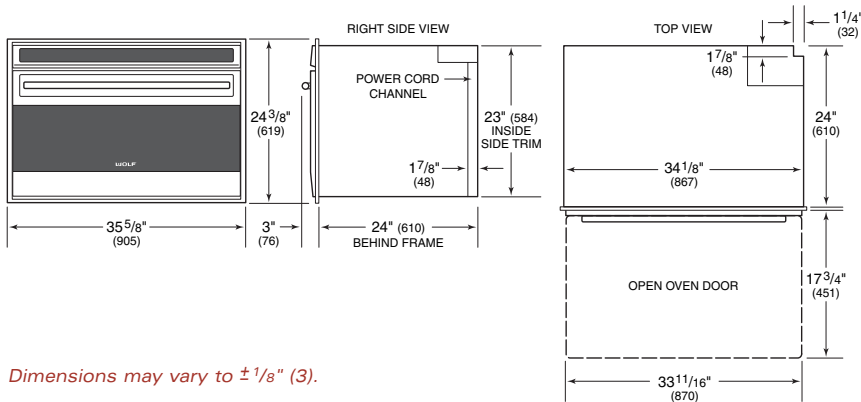
Refer to the installation instructions shipped with each Wolf product for detailed specifications.

IMPORTANT NOTE: Unless you are using cabinets deeper than 24" (610), it is recommended that the electrical supply be placed in an adjacent cabinet within reach of the conduit. Choose the location shown in the illustrations that best suits your installation.

BUILT-IN OVENS

OVERALL DIMENSIONS

36" (914) Built-In Single Oven

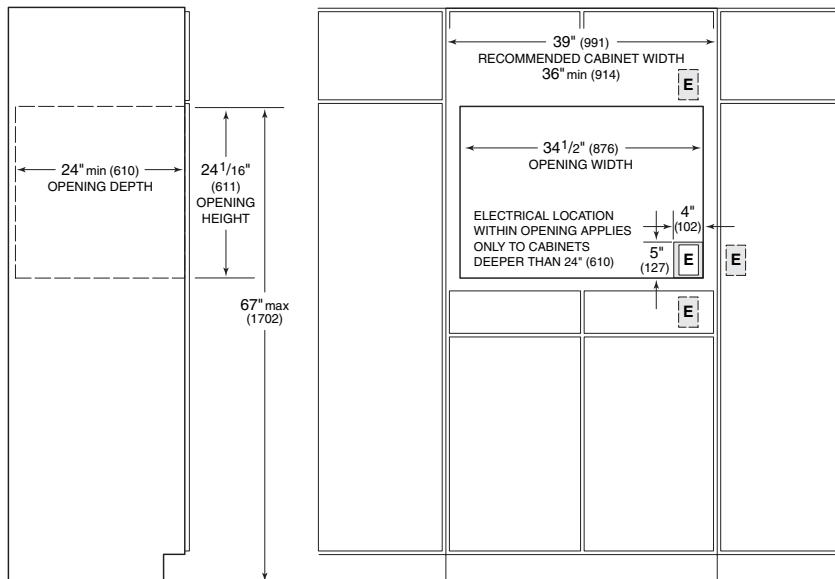


Dimensions may vary to $\pm 1/8$ " (3).

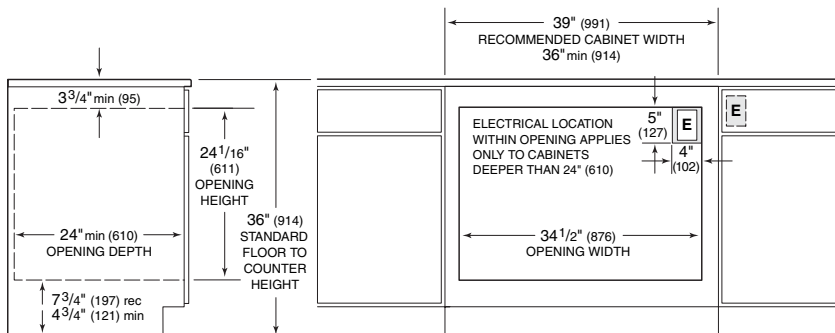
INSTALLATION SPECIFICATIONS

36" (914) Built-In Single Oven

Wall Application



Undercounter Installation



IMPORTANT NOTE: Unless you are using cabinets deeper than 24" (610), it is recommended that the electrical supply be placed in an adjacent cabinet within reach of the conduit. Choose the location shown in the illustrations that best suits your installation.

SPECIFICATIONS

36" (914) Built-In Single Oven

Overall Width	35⁵/₈" (905)
Overall Height	24³/₈" (619)
Overall Depth	24" (610)
Door Clearance	17³/₄" (451)
Oven Interior Capacity	
Overall	4.4 cu ft (125 L)
Usable	3.4 cu ft (96 L)
Interior Dimensions (W x H x D)	26¹/₂" x 13¹/₄" x 16³/₈" (673 x 337 x 416)
Rec Cabinet Width	39" (991)
Min Cabinet Width	36" (914)
Min Cabinet Depth	24" (610)
Min Base Support	250 lbs (113 kg)
Opening Width	34¹/₂" (876)
Opening Height	24¹/₁₆" (611)
Electrical Supply	240/208 V AC, 60 Hz 30 amp dedicated circuit
Conduit	3' (.9 m) flexible 4-wire
Electrical Rating	5.1 kW at 240 V 3.8 kW at 208 V
Total Amps	21
Shipping Weight	288 lbs (131 kg)

INSTALLATION OPTIONS

The Wolf 36" (914) single oven may be installed below a Wolf 36" (914) electric or gas cooktop. Unless you are using cabinets deeper than 24" (610), it is recommended that the electrical supply be placed in the base cabinet to the right of the oven within reach of the conduit. The 36" (914) single oven may also be installed below a Wolf 30" (762) framed electric cooktop, but not below a 30" (762) unframed electric cooktop or 30" (762) gas cooktop. When a 36" (914) oven is installed below a cooktop, it is recommended that the rough opening for the oven be 7³/₄" (197) from the floor to ease the use of the oven door.

The Wolf 36" (914) single oven may be installed above or below a Wolf warming drawer with integrated drawer front. This installation may also include a convection microwave with 36" (914) trim. Refer to page 37 for specifications.

A Wolf 36" (914) single oven may be installed directly above another 36" (914) oven. You must allow enough space between the oven rough openings to accommodate a base support for the top oven. Each base cabinet support must be able to support 250 lbs (113 kg).

A Wolf 36" (914) single oven may be installed next to another 36" (914) oven. You must allow for a 2¹/₂" (64) space between the oven rough openings. Also, a separate inner wall is required for each oven between openings.

Dimensions in parentheses are in millimeters unless otherwise specified.

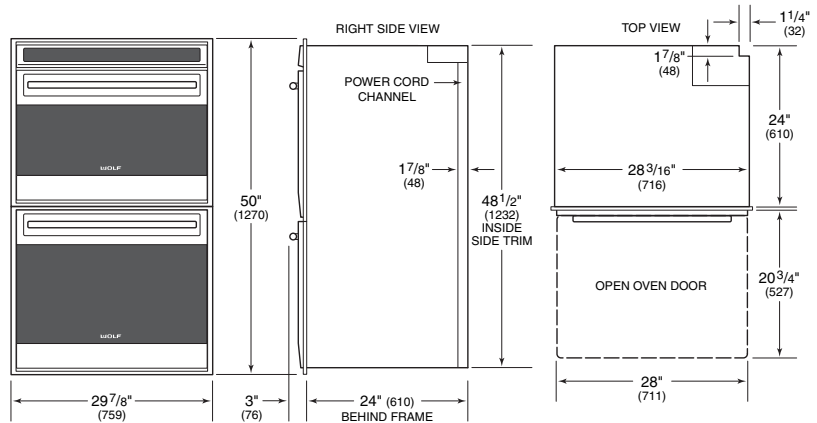


OVERALL DIMENSIONS
30" (762) Built-In Double Oven

SPECIFICATIONS

30" (762) Built-In Double Oven

Overall Width	29⁷/₈" (759)
Overall Height	50" (1270)
Overall Depth	24" (610)
Door Clearance	20³/₄" (527)
Oven Interior Capacity	
Overall (per oven)	4.5 cu ft (127 L)
Usable (per oven)	3.4 cu ft (96 L)
Interior Dimensions (W x H x D)	21¹/₂" x 16¹/₂" x 16³/₈" (546 x 419 x 416) each
Rec Cabinet Width	33" (838)
Min Cabinet Width	30" (762)
Min Cabinet Depth	24" (610)
Min Base Support	400 lbs (181 kg)
Opening Width	28¹/₂" (724)
Opening Height	49⁵/₈" (1260)
Electrical Supply	240/208 V AC, 60 Hz 50 amp dedicated circuit
Conduit	5' (1.5 m) flexible 4-wire
Electrical Rating	8.9 kW at 240 V 6.7 kW at 208 V
Total Amps	37
Shipping Weight	466 lbs (211 kg)



Dimensions may vary to ±1/8" (3).

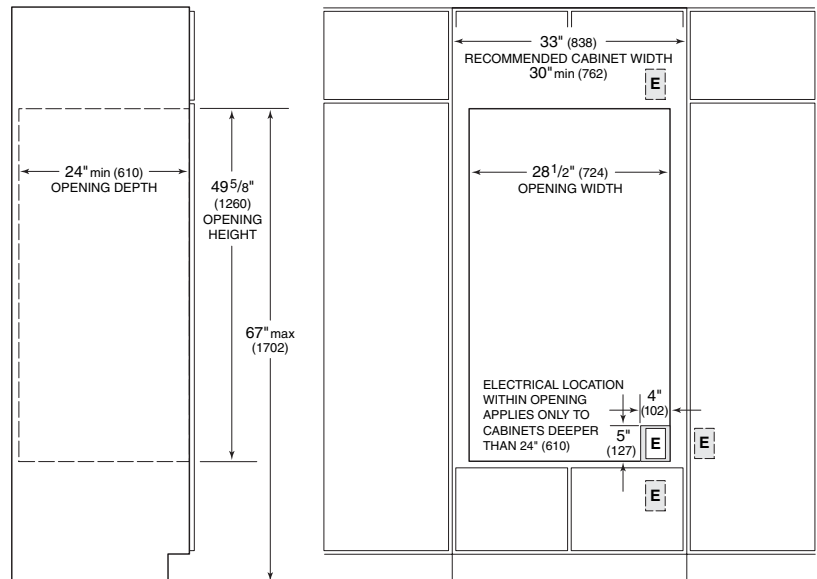
INSTALLATION SPECIFICATIONS

30" (762) Built-In Double Oven

Wall Application

INSTALLATION

Refer to the installation instructions shipped with each Wolf product for detailed specifications.



IMPORTANT NOTE: Unless you are using cabinets deeper than 24" (610), it is recommended that the electrical supply be placed in an adjacent cabinet within reach of the conduit. Choose the location shown in the illustrations that best suits your installation.