
**KITCHEN CABINETRY FLOOR PLAN**  
 SCALE: 3/8" = 1' 0"

**Classic Bath Designs, Inc.**  
 11544 Sheldon St., Sun Valley, CA 91352  
 818.767.1144 fax: 818.767.1278



Cust: Gokey for Cleveland

PO# KITCHEN

Scale: As Noted

Approved \_\_\_\_\_

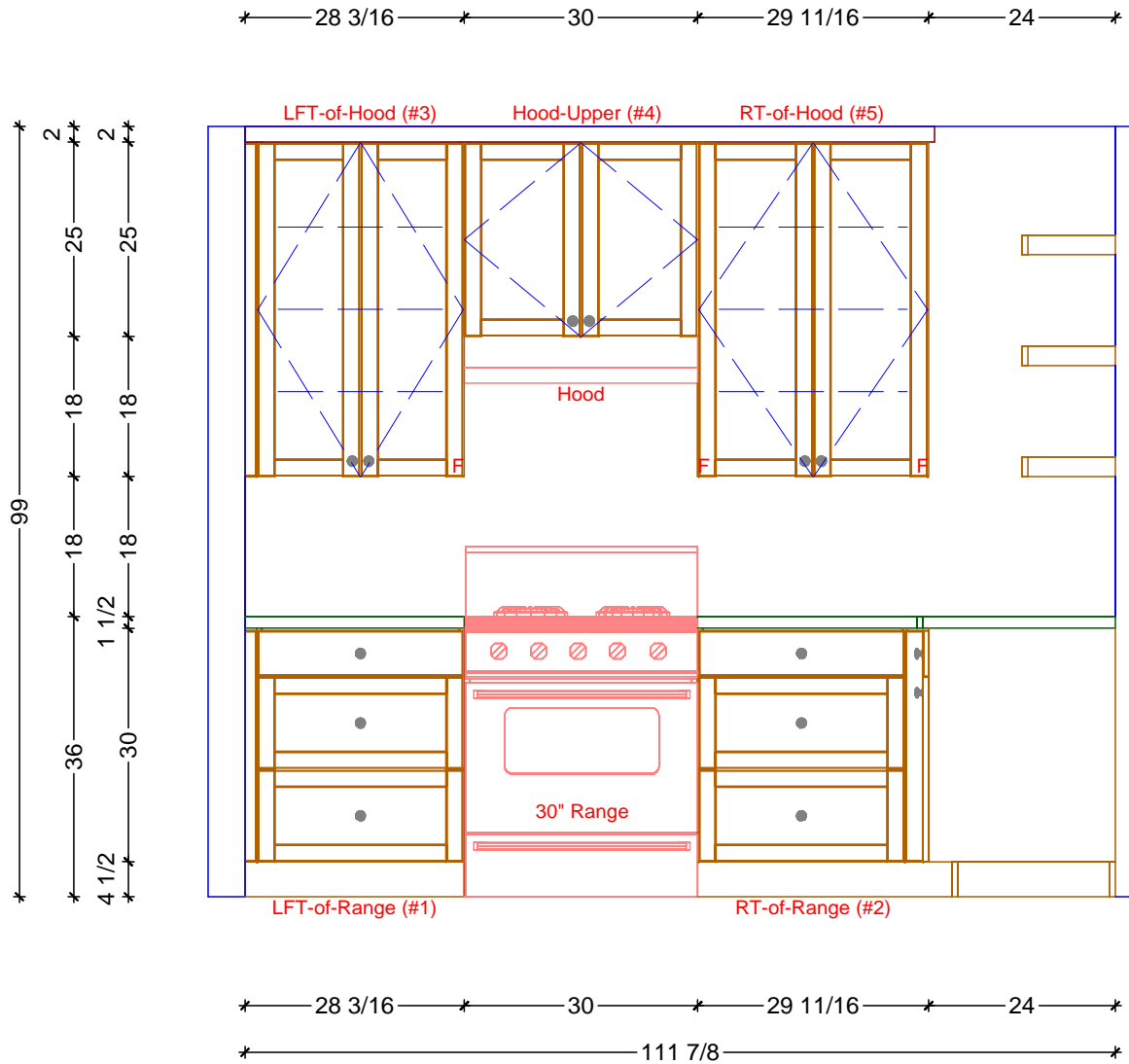
Job: FL-S\_PreFIN/PG:perStockWh\_IntEB:PreFIN

Size: A

Dr By: Brian

06/12/2017

**K.0**



1 KITCHEN ELEVATION - RANGE WALL  
 SCALE: 1/2" = 1' 0"

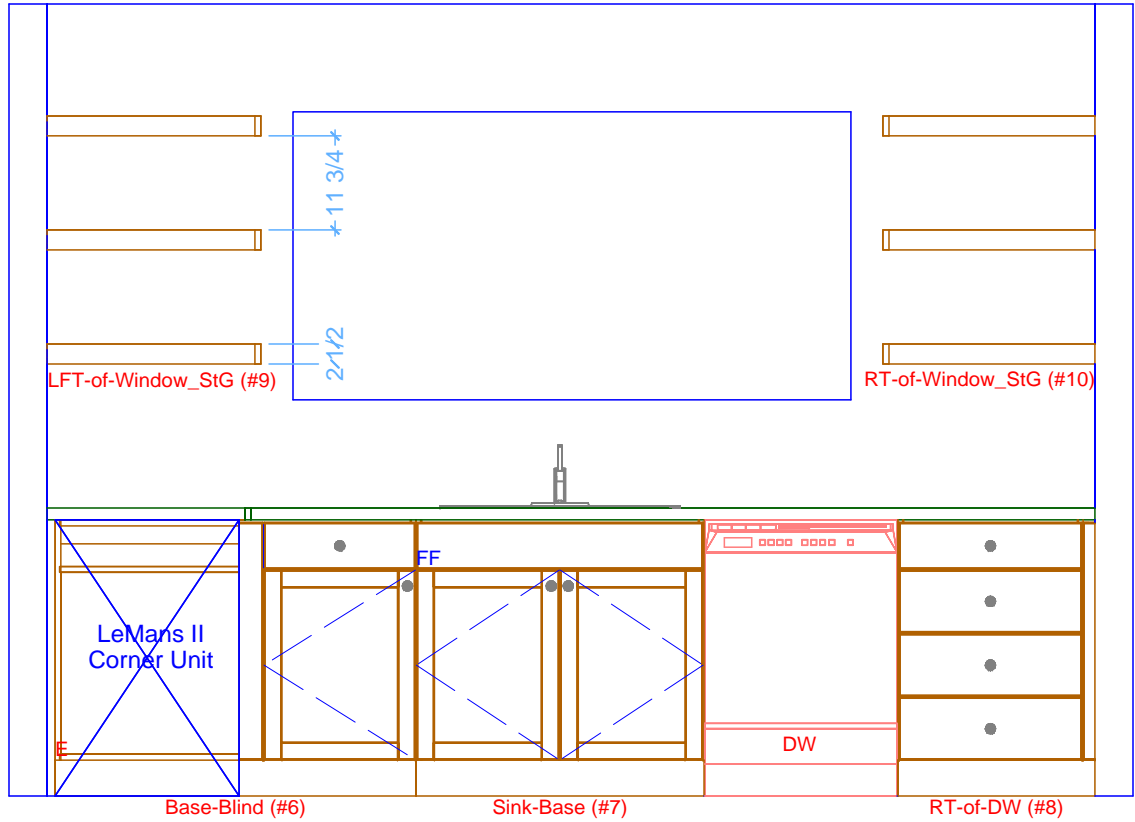
**Classic Bath Designs, Inc.**  
 11544 Sheldon St., Sun Valley, CA 91352  
 818.767.1144 fax: 818.767.1278



|                           |   |             |                 |            |            |
|---------------------------|---|-------------|-----------------|------------|------------|
| Cust: Gokey for Cleveland |   | PO# KITCHEN | Scale: As Noted |            | <b>K.1</b> |
| Approved _____            | Job: FL-S_PreFIN/PG:perStockWh_IntEB:PreFIN | Size: A     | Dr By: Brian    | 06/12/2017 |            |

\* 26 3/4 \* 4 \* 69 3/4 \* 4 \* 26 1/2 \*

\* 99 \*  
 \* 45 \*  
 \* 31 \* 14 \*  
 \* 18 \* 18 \*  
 \* 1 1/2 \*  
 \* 36 \* 30 \*  
 \* 4 1/2 \*



1  
 \* 23 \* 22 1/8 \* 36 \* 24 1/4 \* 24 5/8 \*  
 \* 131 \*

1 KITCHEN ELEVATION - SINK WALL  
 SCALE: 1/2" = 1' 0"

**Classic Bath Designs, Inc.**  
 11544 Sheldon St., Sun Valley, CA 91352  
 818.767.1144 fax: 818.767.1278



Cust: Gokey for Cleveland

PO# KITCHEN

Scale: As Noted

Approved \_\_\_\_\_

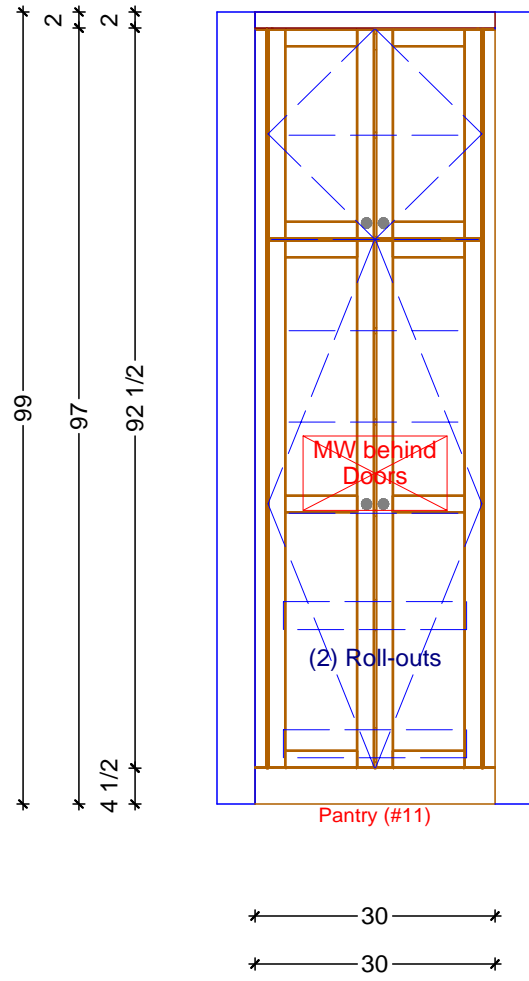
Job: FL-S\_PreFIN/PG:perStockWh\_IntEB:PreFIN

Size: A

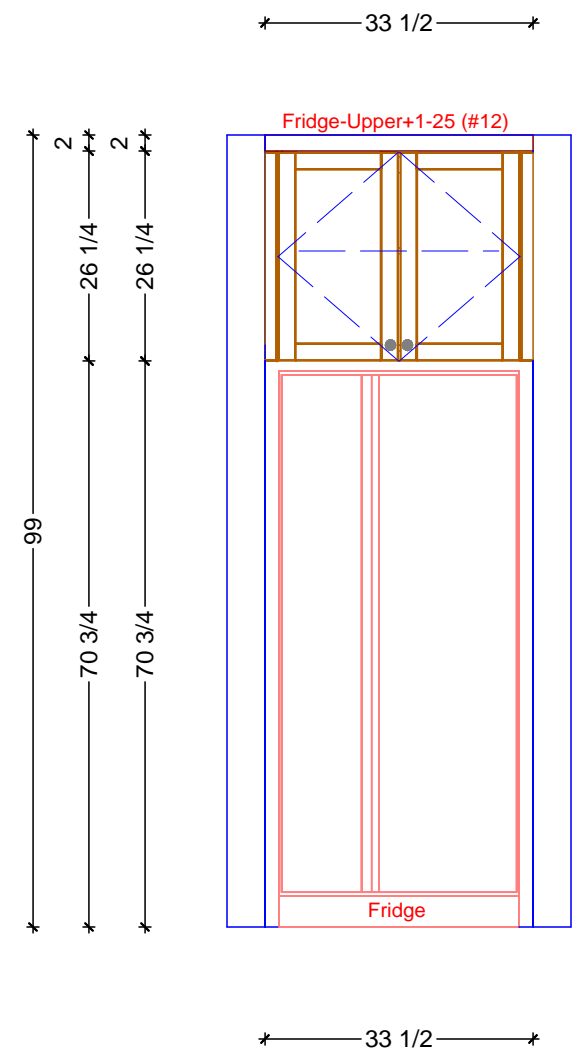
Dr By: Brian

06/12/2017

K.2



1 KITCHEN ELEVATION - PANTRY  
SCALE: 1/2" = 1' 0"



2 KITCHEN ELEVATION - FRIDGE SPACE  
SCALE: 1/2" = 1' 0"

**Classic Bath Designs, Inc.**  
11544 Sheldon St., Sun Valley, CA 91352  
818.767.1144 fax: 818.767.1278

|                           |   |                                 |     |
|---------------------------|---|---------------------------------|-----|
| Cust: Gokey for Cleveland | PO# KITCHEN                                 | Scale: As Noted                 | K.3 |
| Approved _____            | Job: FL-S_PreFIN/PG:perStockWh_IntEB:PreFIN | Size: A Dr By: Brian 06/12/2017 |     |



**Classic Bath Designs, Inc.**  
 11544 Sheldon St., Sun Valley, CA 91352  
 818.767.1144 fax: 818.767.1278



|                           |   |                 |              |             |
|---------------------------|---|-----------------|--------------|-------------|
| Cust: Gokey for Cleveland | PO# KITCHEN                                 | Scale: As Noted |              |             |
| Approved _____            | Job: FL-S_PreFIN/PG:perStockWh_IntEB:PreFIN | Size: A         | Dr By: Brian | 06/12/2017  |
|                           |   |                 |              | <b>Rndr</b> |



**Classic Bath Designs, Inc.**  
 11544 Sheldon St., Sun Valley, CA 91352  
 818.767.1144 fax: 818.767.1278



|                           |   |                 |              |            |
|---------------------------|---|-----------------|--------------|------------|
| Cust: Gokey for Cleveland | PO# KITCHEN                                 | Scale: As Noted |              |            |
| Approved _____            | Job: FL-S_PreFIN/PG:perStockWh_IntEB:PreFIN | Size: A         | Dr By: Brian | 06/12/2017 |

**Rndr**