

1224RGL • 24" Glass Door Refrigerator • 1000 Series

FEATURES & BENEFITS



STAINLESS
FRAME



INTEGRATED
FRAME

PERFORMANCE	<ul style="list-style-type: none"> • Volume of 5.4 cu ft holds up to 123 bottles (12 oz) or 185 cans (12 oz) • Digital Touch Pad Control is conveniently located on upper face of unit • Temperature range: 34°F - 45°F • Passive Cooling System
INTERIOR/EXTERIOR	<ul style="list-style-type: none"> • Black interior is illuminated with LED lighting that automatically turns off when the door is closed • Three removable tempered glass shelves • LowE coated, argon gas filled, dual thermopane glass door provides protection from harmful UV Light • Standard commercial stainless steel handle is interchangeable with professional handle accessory • Door swing is field reversible, and is shipped right-hand hinged
INTEGRATION	<ul style="list-style-type: none"> • Unit is designed to be built-in or can be freestanding with the freestanding accessory kit with the freestanding accessory kit • Integrated model requires 3/4" custom door panel (panels not supplied by U-Line) • Four independently adjustable leveling legs provide a precise undercounter fit • Available in the following finishes: Stainless or Integrated

MODEL DETAILS

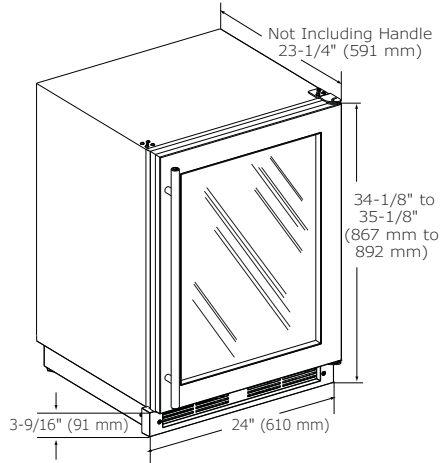
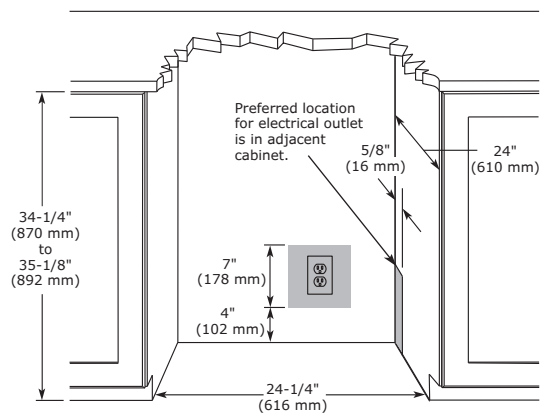
Model	Voltage/Hz	Door Swing	Finish	Shipping Weight
U-1224RGLS-00A	115 / 60	Field Reversible	Stainless Frame	123 lbs
U-1224RGLINT-00A	115 / 60	Field Reversible	Integrated Frame	117 lbs

ACCESSORIES

Model	Description	Finish	Shipping Weight
80-54247-00	Professional Door Handle, 1 1/4" Diameter	Stainless	2 lb
U-FSK-B	Freestanding Kit	Black	3 lb

1000 Series • 24" Glass Door Refrigerator • 1224RGL
DIMENSIONS

Dimensions shown apply to all finishes, including Integrated (INT) models with 3/4" integrated panel/frame installed.


CABINET CUT-OUT

INSTALLATION NOTES

When installing adjacent to wall, ensure 2 1/2" clearance on hinged side for 90° door opening, allowing ample room for door handle.

Cutout includes the additional 1/4" width overall to ensure proper installation.

No additional clearance around sides, top or rear of unit is needed for ventilation.

Do not obstruct front grille air flow.

SPECIFICATIONS

Model	1224RGL
Amps: Running	1.2
Capacity: Bottle (12 oz)	123
Capacity: Can (12 oz)	185
Capacity: Volume (cu ft)	5.4
Control Type	Digital Touch Pad
Dimensions: Product Depth	23 1/4" / 591 mm
Dimensions: Product Height	34 1/8" / 867 mm
Dimensions: Product Width	24" / 610 mm
Energy Consumption: Avg. Per Year	305 kWh
ENERGY STAR	No
Panel Height	30 1/4" / 768 mm
Panel Thickness	3/4" / 20 mm
Panel Type	2 3/4" / 70 mm Frame Panel
Panel Width	23 3/4" / 603 mm
Product Weight: Max	113 lbs
Refrigerant Type	R600a
Sabbath (Star K Certified)	Yes
Temperature Range	34°F - 45°F

COOLING SYSTEM

ELECTRICAL REQUIREMENTS

This unit requires a grounded, polarized 115 VAC, 60 Hz, 15 A power supply (normal household current).



Warranty

Please visit u-line.com to view this model's User Guide & Service Manual. All Specifications are subject to change without notice.