
KITCHEN CABINERY FLOOR PLAN
 SCALE: 1/2" = 1' 0"

Classic Bath Designs, Inc.
 11544 Sheldon St., Sun Valley, CA 91352
 818.767.1144 fax: 818.767.1278



Cust: MDW for Doty

PC# DWELL

Scale: As Noted

KITCHEN

Approved _____

Job: FL-S_PreFIN/PG:perSample_IntEB:PreFIN

Size: A

Dr By: Brian

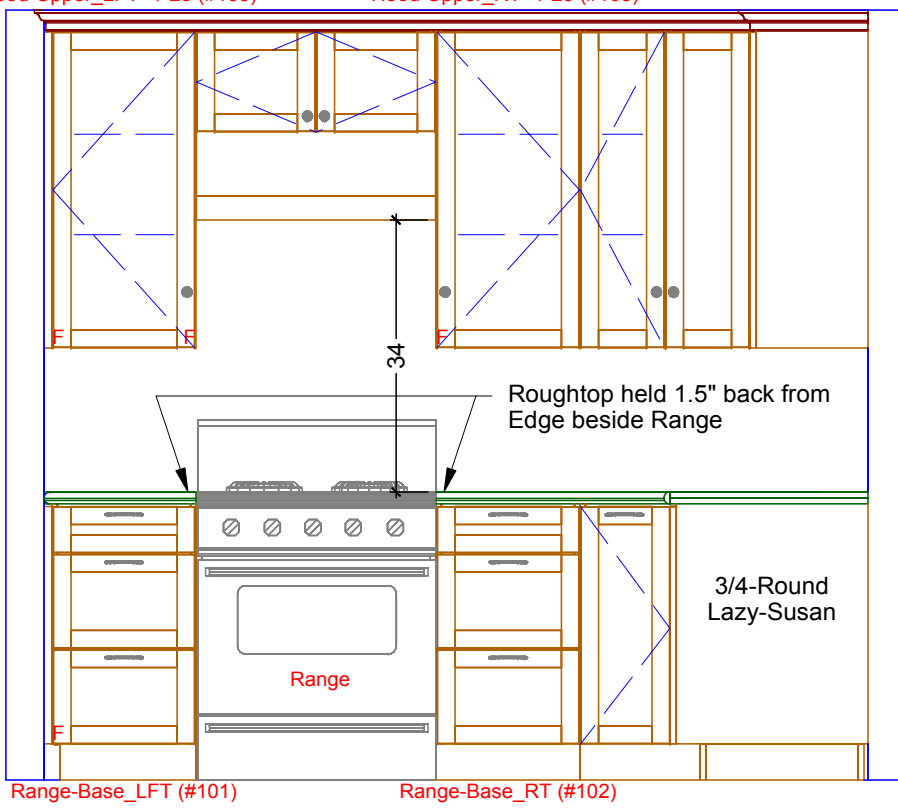
04/20/15

K.0

1
 * 18 * 30 * 18 * 10 5/8 * 25 3/8 *

Hood-Upper (#104) Upper_RT-of-Hood-Upper_RT+1-25 (#106)
 Hood-Upper_LFT+1-25 (#103) Hood-Upper_RT+1-25 (#105)

96 1/4
 2 5/8
 12 5/8
 2 5/8
 27
 27
 18
 18
 1 1/2
 36
 30
 4 1/2



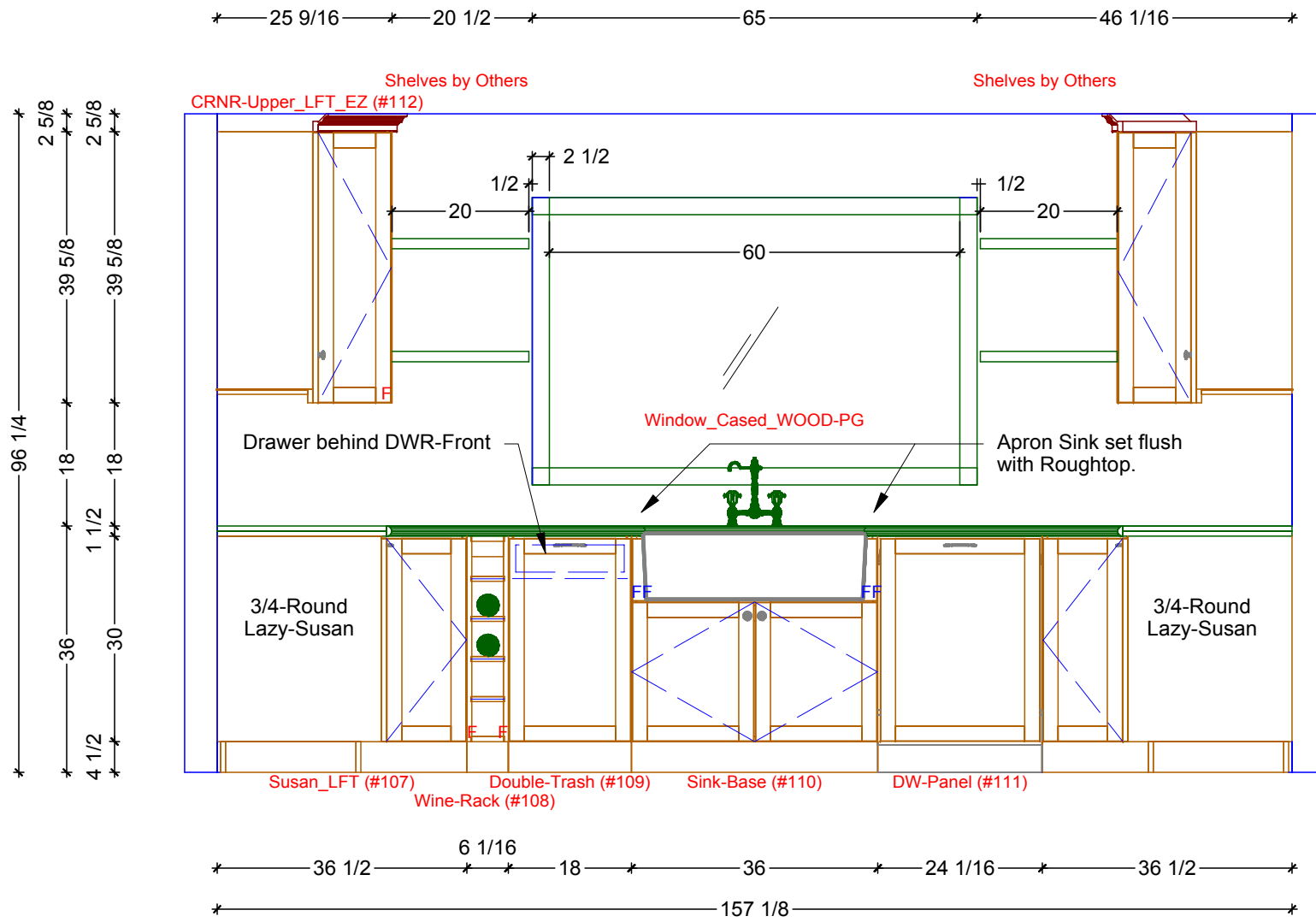
1
 * 18 * 30 * 18 * 36 *

* 103 *

1 KITCHEN ELEVATION - WEST
 SCALE: 1/2" = 1' 0"

Classic Bath Designs, Inc.
 11544 Sheldon St., Sun Valley, CA 91352
 818.767.1144 fax: 818.767.1278

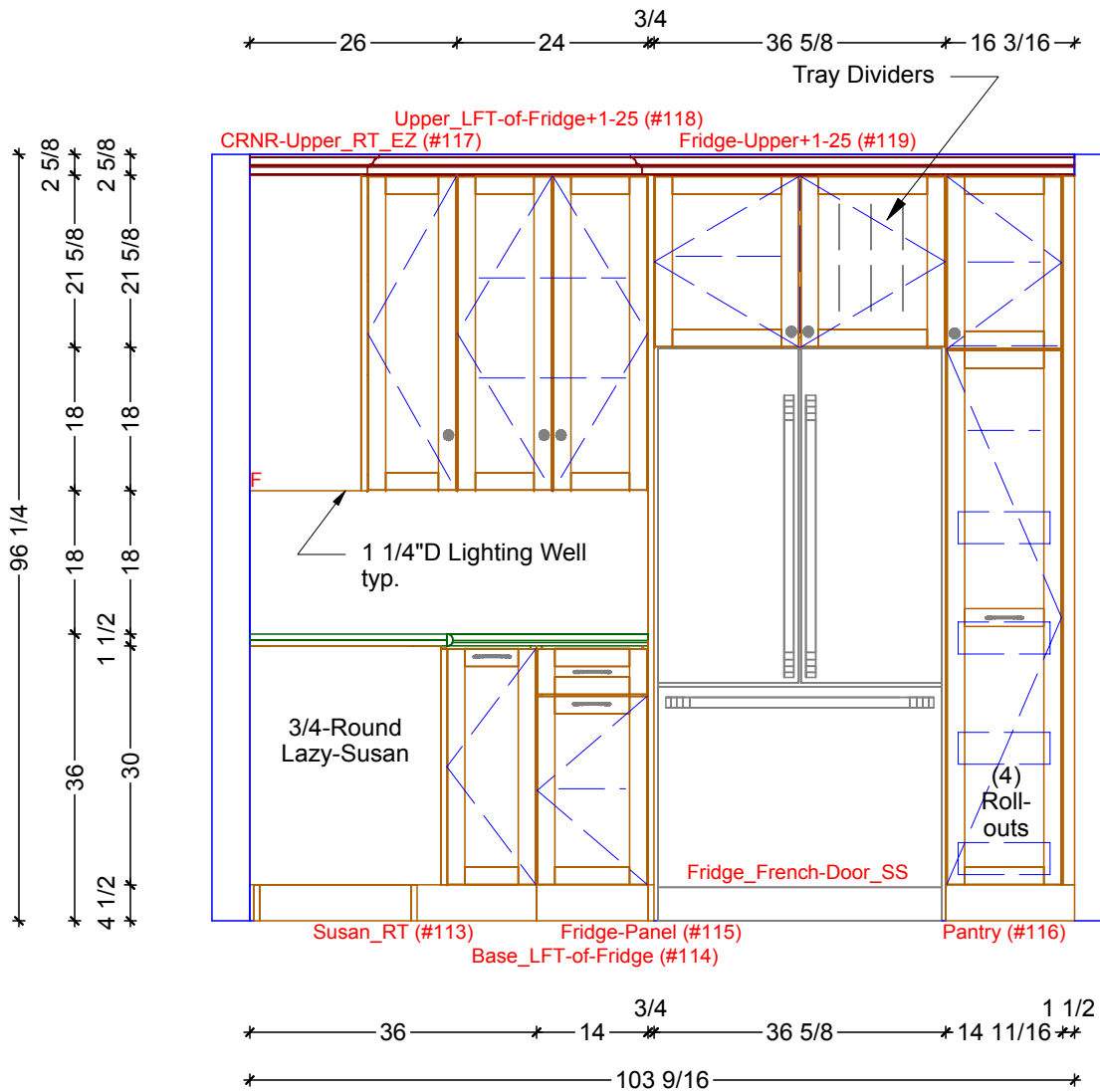
Cust: MDW for Doty	PO# DWELL	Scale: As Noted	KITCHEN	K.1
Approved _____	Job: FL-S_PreFIN/PG:perSample_IntEB:PreFIN	Size: A	Dr By: Brian 04/20/15	



1 KITCHEN ELEVATION - NORTH
SCALE: 1/2" = 1' 0"

Classic Bath Designs, Inc.
11544 Sheldon St., Sun Valley, CA 91352
818.767.1144 fax: 818.767.1278

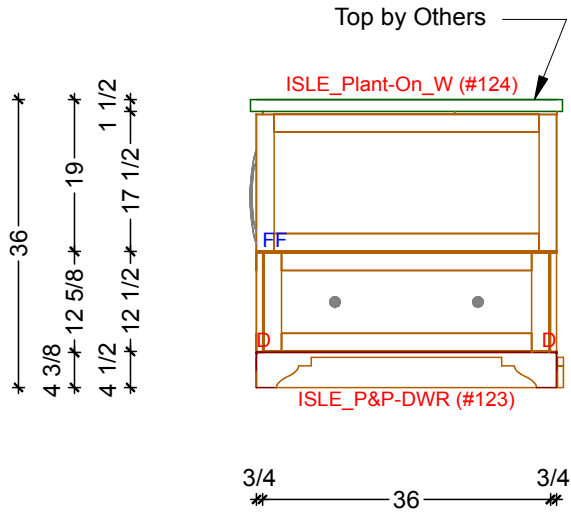
Cust: MDW for Doty	PO# DWELL	Scale: As Noted	KITCHEN	K.2
Approved _____	Job: FL-S_PreFIN/PG:perSample_IntEB:PreFIN	Size: A	Dr By: Brian 04/20/15	



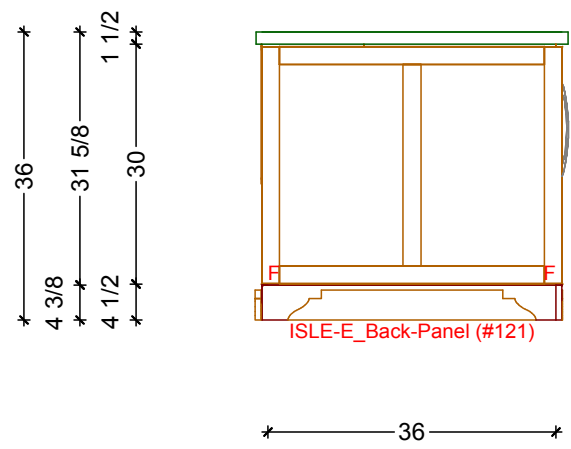
1 KITCHEN ELEVATION - EAST
 SCALE: 1/2" = 1' 0"

Classic Bath Designs, Inc.
 11544 Sheldon St., Sun Valley, CA 91352
 818.767.1144 fax: 818.767.1278

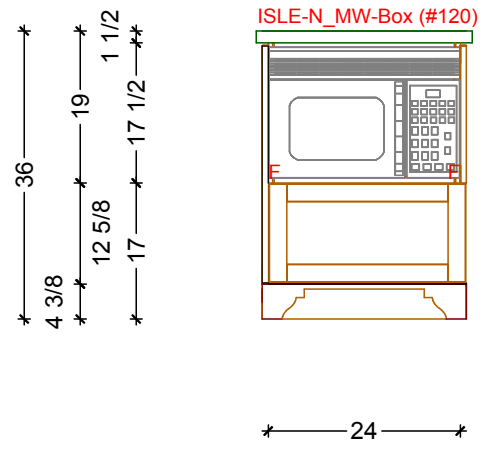
Cust: MDW for Doty	PO# DWELL	Scale: As Noted	KITCHEN	K.3
Approved _____	Job: FL-S_PreFIN/PG:perSample_IntEB:PreFIN	Size: A	Dr By: Brian 04/20/15	



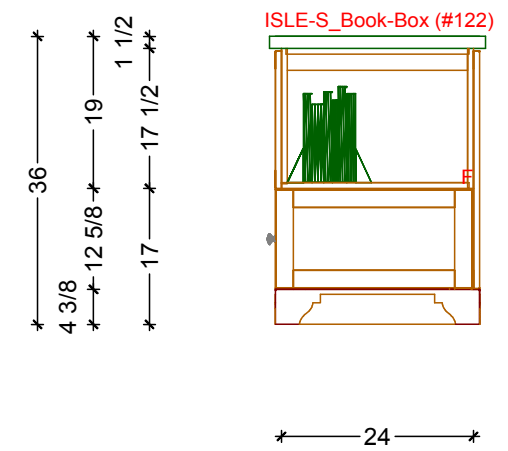
1 KITCHEN ISLE - FACING EAST
SCALE: 1/2" = 1' 0"



3 KITCHEN ISLE - FACING WEST
SCALE: 1/2" = 1' 0"



2 KITCHEN ISLE - FACING SOUTH
SCALE: 1/2" = 1' 0"



4 KITCHEN ISLE - FACING NORTH
SCALE: 1/2" = 1' 0"

Classic Bath Designs, Inc.
11544 Sheldon St., Sun Valley, CA 91352
818.767.1144 fax: 818.767.1278

Cust: MDW for Doty	PO# DWELL	Scale: As Noted	KITCHEN	K.4
Approved _____	Job: FL-S_PreFIN/PG:perSample_IntEB:PreFIN	Size: A	Dr By: Brian 04/20/15	



Cust: MDW for Doty	PO# DWELL	Scale: As Noted	KITCHEN	Rndr
Approved _____	Job: FL-S_PreFIN/Pg:perSample_IntEB:PreFIN	Size: A	Dr By: Brian 04/20/15	



Classic Bath Designs, Inc.
 11544 Sheldon St., Sun Valley, CA 91352
 818.767.1144 fax: 818.767.1278



Cust: MDW for Doty	PO# DWELL	Scale: As Noted	KITCHEN	Rndr
Approved _____	Job: FL-S_PreFIN/PG:perSample_IntEB:PreFIN	Size: A	Dr By: Brian	



Classic Bath Designs, Inc.
 11544 Sheldon St., Sun Valley, CA 91352
 818.767.1144 fax: 818.767.1278



Cust: MDW for Doty	PO# DWELL	Scale: As Noted	KITCHEN	Rndr
Approved _____	Job: FL-S_PreFIN/PG:perSample_IntEB:PreFIN	Size: A	Dr By: Brian	



Classic Bath Designs, Inc.
 11544 Sheldon St., Sun Valley, CA 91352
 818.767.1144 fax: 818.767.1278



Cust: MDW for Doty	PO# DWELL	Scale: As Noted	KITCHEN	Rndr
Approved _____	Job: FL-S_PreFIN/PG:perSample_IntEB:PreFIN	Size: A	Dr By: Brian	