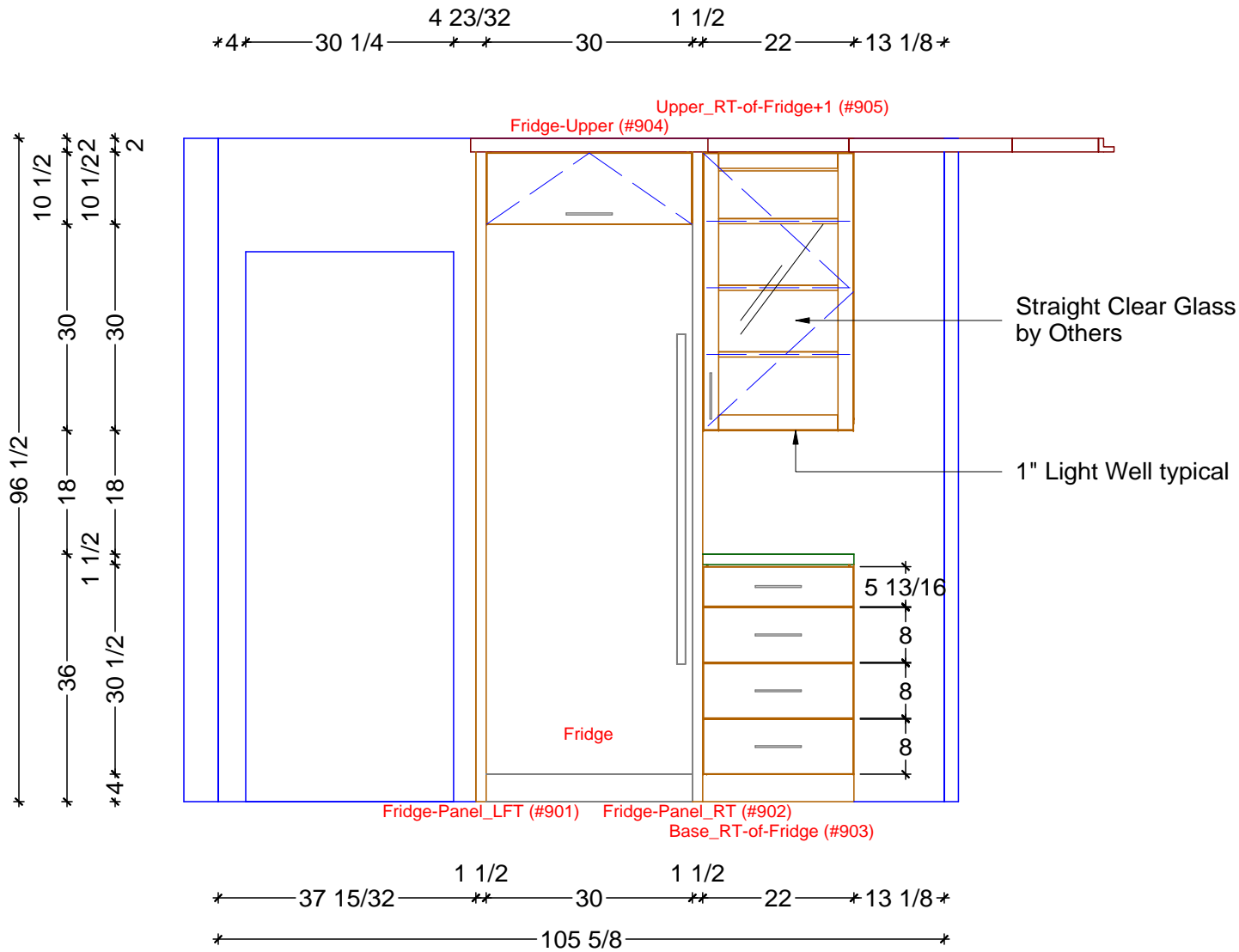


KITCHEN CABINERY FLOOR PLAN
 SCALE: 3/8" = 1' 0"

Classic Bath Designs, Inc.
 11544 Sheldon St., Sun Valley, CA 91352
 818.767.1144 fax: 818.767.1278

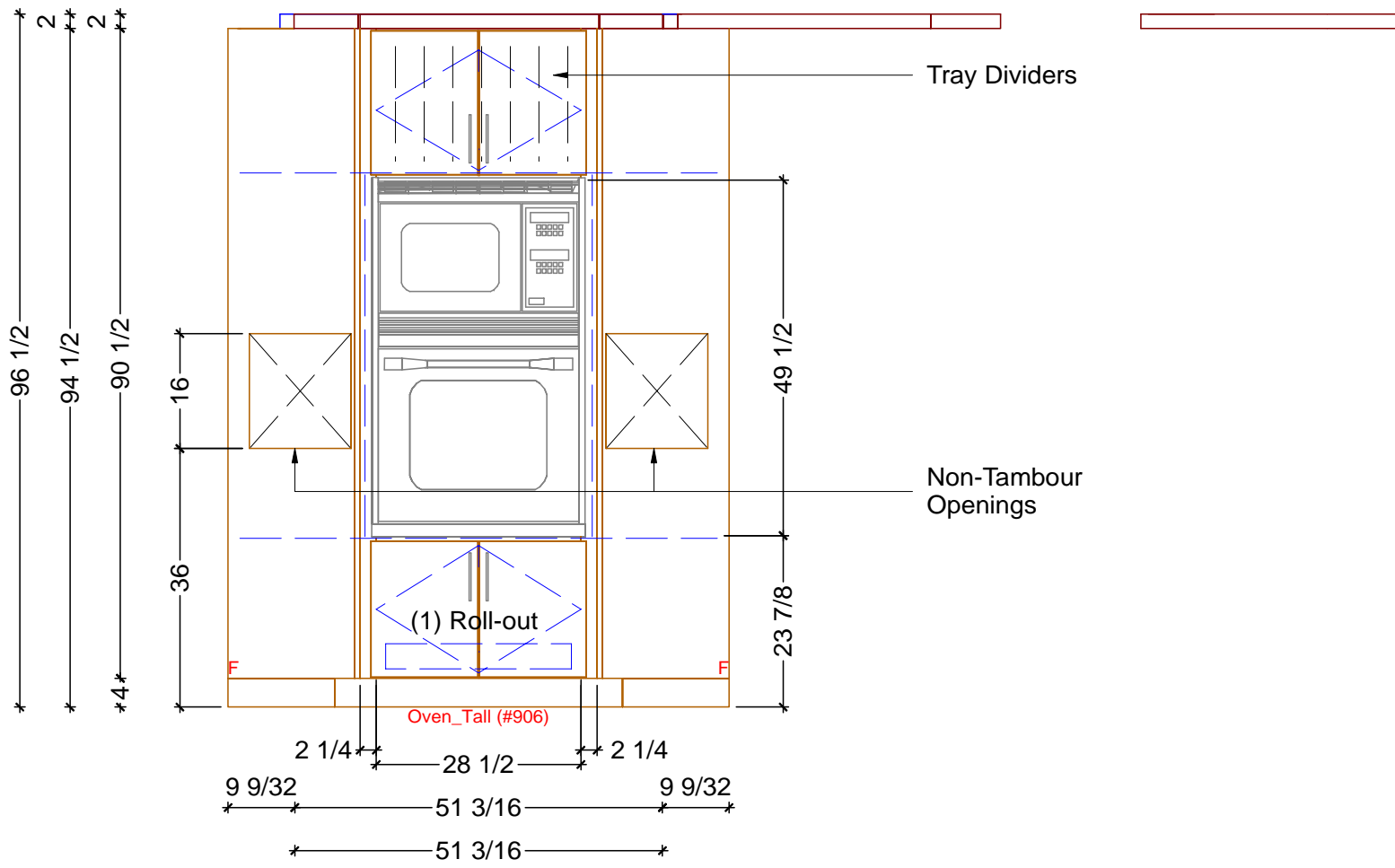
Cust: ODesign for Fox	PO# DWELLING	Scale: As Noted	KITCHEN	K.0
Approved _____	Job: FL-S_PG/PD_MDF:perSample_IntEB:PG	Size: A	Dr By: Brian 09/17/2014	



1 KITCHEN ELEVATION - EAST
 SCALE: 1/2" = 1' 0"

Classic Bath Designs, Inc.
 11544 Sheldon St., Sun Valley, CA 91352
 818.767.1144 fax: 818.767.1278

Cust: ODesign for Fox	PO# DWELLING	Scale: As Noted	KITCHEN	K.1
Approved _____	Job: FL-S_PG/PD_MDF:perSample_IntEB:PG	Size: A	Dr By: Brian 09/17/2014	

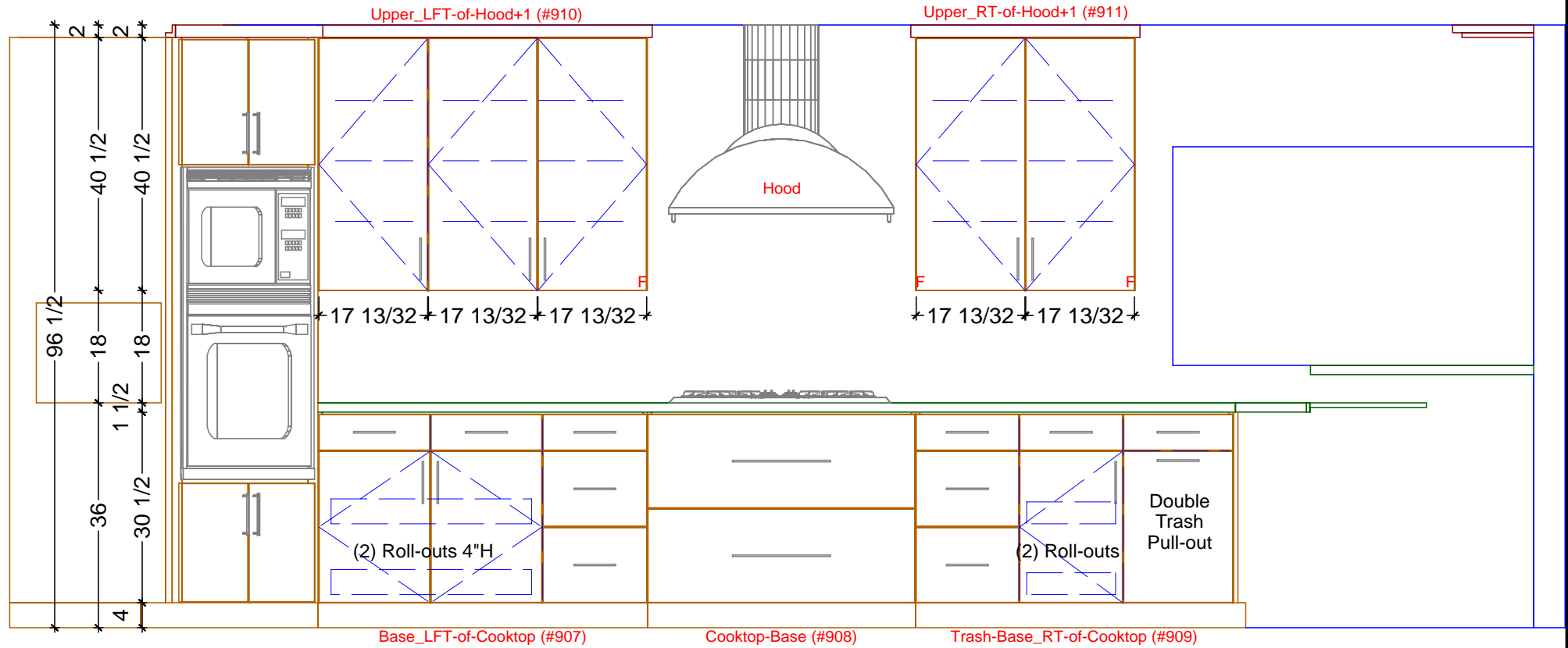


1 KITCHEN ELEVATION - SOUTHEAST
SCALE: 1/2" = 1' 0"

Classic Bath Designs, Inc.
11544 Sheldon St., Sun Valley, CA 91352
818.767.1144 fax: 818.767.1278

Cust: ODesign for Fox	PO# DWELLING	Scale: As Noted	KITCHEN	K.2
Approved _____	Job: FL-S_PG/PD_MDF:perSample_IntEB:PG	Size: A	Dr By: Brian 09/17/2014	

* 13 1/8 * — 52 23/32 — * 42 7/8 — * 35 3/16 — * 6 — * 57 3/4 — *



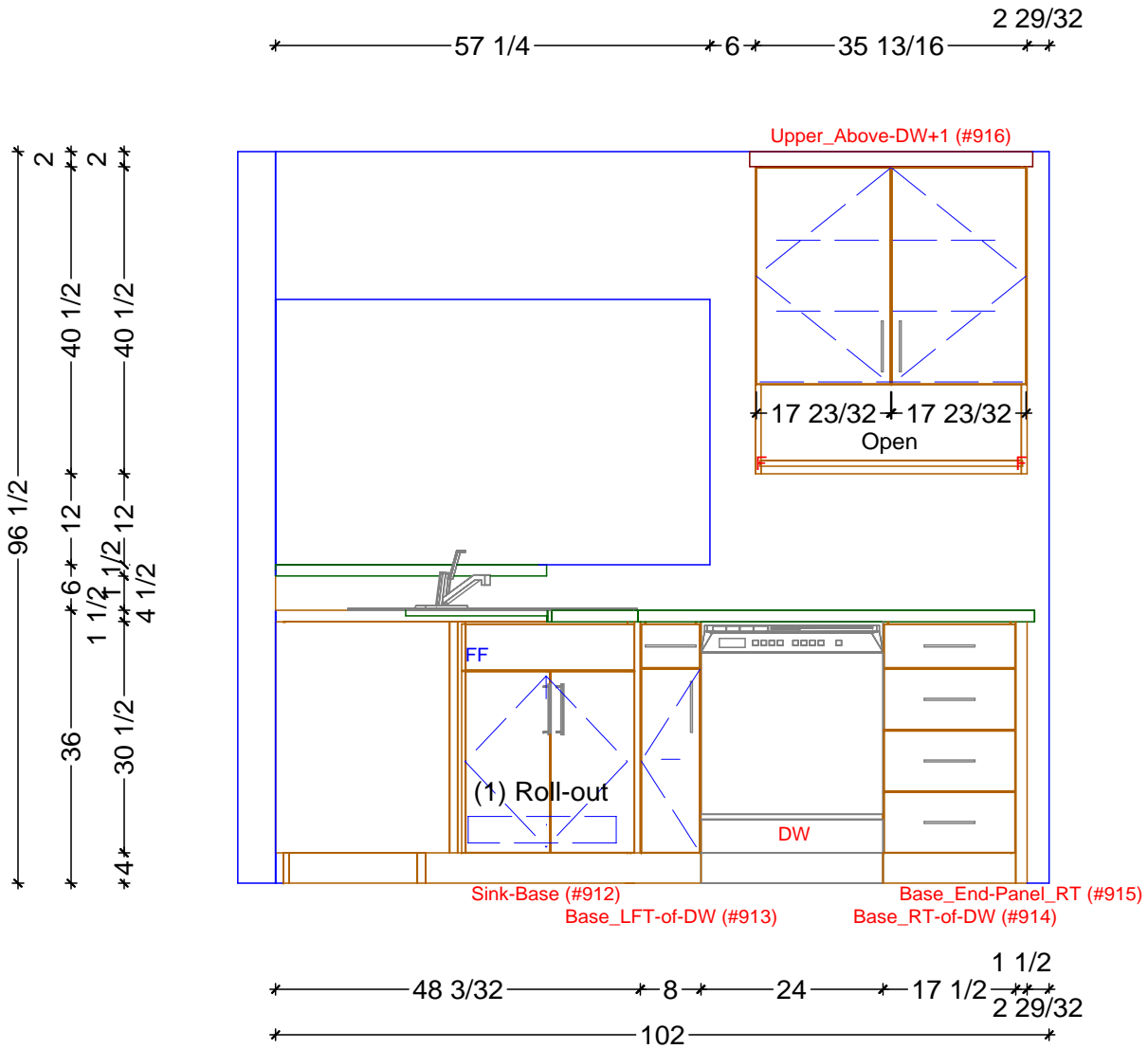
* 13 1/8 * — 52 23/32 — * 42 7/8 — * 50 27/32 — * 48 3/32 — *

* ————— 207 21/32 ————— *

1 KITCHEN ELEVATION - SOUTH
SCALE: 1/2" = 1' 0"

Classic Bath Designs, Inc.
11544 Sheldon St., Sun Valley, CA 91352
818.767.1144 fax: 818.767.1278

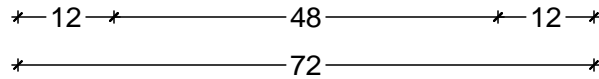
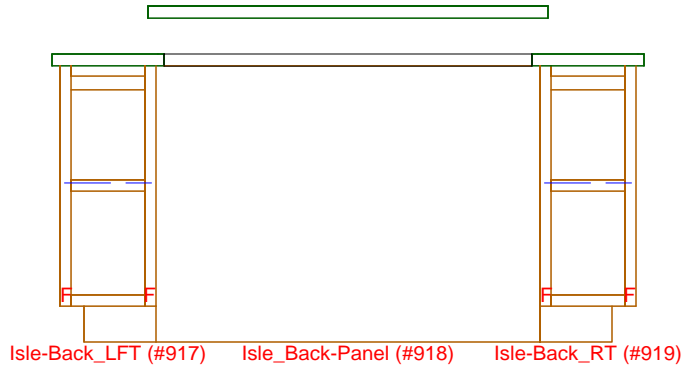
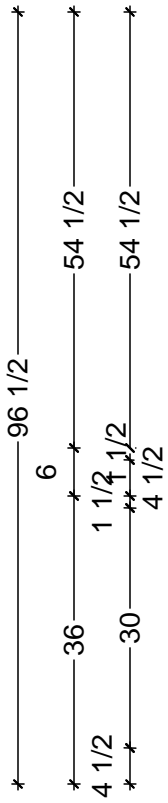
Cust: ODesign for Fox	PO# DWELLING	Scale: As Noted	KITCHEN	K.3
Approved _____	Job: FL-S_PG/PD_MDF:perSample_IntEB:PG	Size: A	Dr By: Brian 09/17/2014	



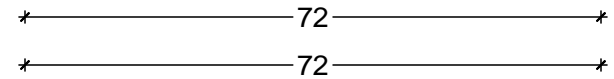
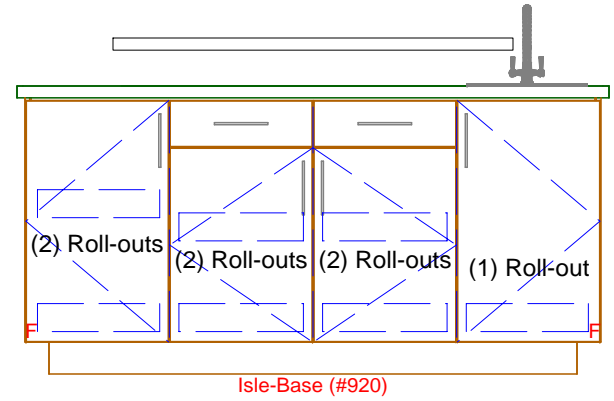
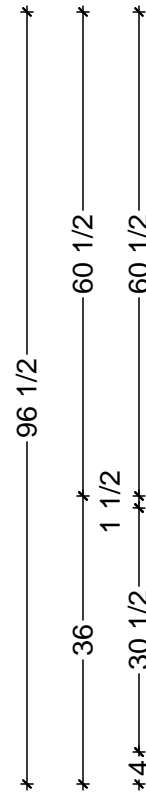
1 KITCHEN ELEVATION - WEST
 SCALE: 1/2" = 1' 0"

Classic Bath Designs, Inc.
 11544 Sheldon St., Sun Valley, CA 91352
 818.767.1144 fax: 818.767.1278

Cust: ODesign for Fox	PO# DWELLING	Scale: As Noted	KITCHEN	K.4
Approved _____	Job: FL-S_PG/PD_MDF:perSample_IntEB:PG	Size: A	Dr By: Brian 09/17/2014	



1 KITCHEN ELEVATION - ISLE FACING SOUTH
SCALE: 1/2" = 1' 0"



2 KITCHEN ELEVATION - ISLE FACING NORTH
SCALE: 1/2" = 1' 0"

Classic Bath Designs, Inc.
11544 Sheldon St., Sun Valley, CA 91352
818.767.1144 fax: 818.767.1278



Cust: ODesign for Fox		PO# DWELLING	Scale: As Noted	KITCHEN		K.5
Approved _____	Job: FL-S_PG/PD_MDF:perSample_IntEB:PG		Size: A	Dr By: Brian	09/17/2014	



Classic Bath Designs, Inc.
 11544 Sheldon St., Sun Valley, CA 91352
 818.767.1144 fax: 818.767.1278



Cust: ODesign for Fox		PO# DWELLING	Scale: As Noted	KITCHEN	
Approved _____		Job: FL-S_PG/PG_MDF:perSample_IntEB:PG	Size: A	Dr By: Brian	09/17/2014

Rndr



Classic Bath Designs, Inc.
 11544 Sheldon St., Sun Valley, CA 91352
 818.767.1144 fax: 818.767.1278



Cust: ODesign for Fox		PO# DWELLING	Scale: As Noted	KITCHEN
Approved _____	Job: FL-S_PG/PG_MDF:perSample_IntEB:PG	Size: A	Dr By: Brian	09/17/2014

Rndr



Classic Bath Designs, Inc.
 11544 Sheldon St., Sun Valley, CA 91352
 818.767.1144 fax: 818.767.1278



Cust: ODesign for Fox	PO# DWELLING	Scale: As Noted	KITCHEN	Rndr
Approved _____	Job: FL-S_PG/PG_MDF:perSample_IntEB:PG	Size: A	Dr By: Brian	