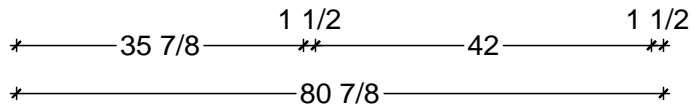
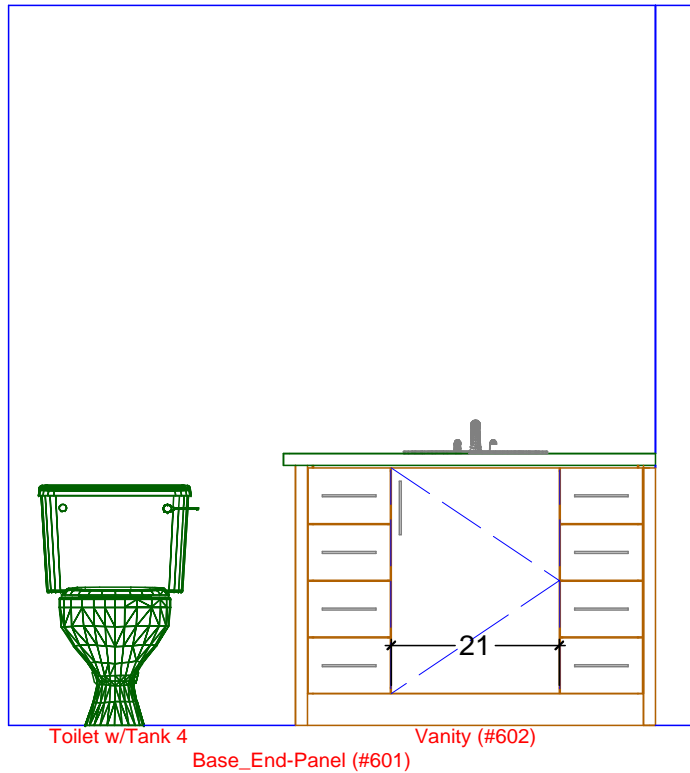
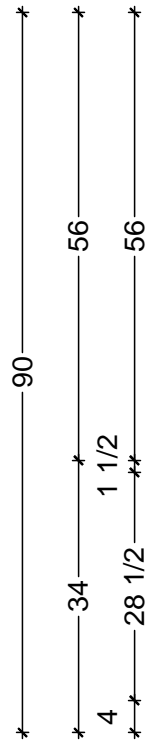

BATH-01 CABINETRY FLOOR PLAN
 SCALE: 5/8" = 1' 0"

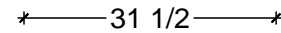
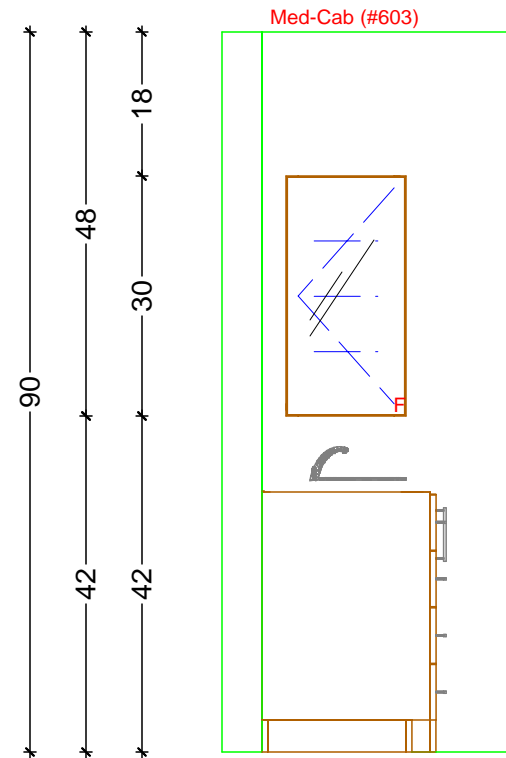
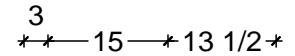
Classic Bath Designs, Inc.
 11544 Sheldon St., Sun Valley, CA 91352
 818.767.1144 fax: 818.767.1278



Cust: ODesign for Fox		PO# DWELLING	Scale: As Noted	BATH-01	
Approved _____	Job: FL-S_PG/PG_MDF:perSample_IntEB:PG		Size: A	Dr By: Brian	09/26/2014
					B1.0



1 BATH-01 ELEVATION - NORTH
SCALE: 1/2" = 1' 0"



2 BATH-01 ELEVATION - EAST
SCALE: 1/2" = 1' 0"

Classic Bath Designs, Inc.
11544 Sheldon St., Sun Valley, CA 91352
818.767.1144 fax: 818.767.1278



Cust: ODesign for Fox

PO# DWELLING

Scale: As Noted

BATH-01

Approved _____

Job: FL-S_PG/PD_MDF:perSample_IntEB:PG

Size: A

Dr By: Brian

09/26/2014

B1.1



Classic Bath Designs, Inc.
 11544 Sheldon St., Sun Valley, CA 91352
 818.767.1144 fax: 818.767.1278



Cust: ODesign for Fox		PO# DWELLING	Scale: As Noted	BATH-01
Approved _____	Job: FL-S_PG/PG_MDF:perSample_IntEB:PG	Size: A	Dr By: Brian	09/26/2014

Rndr