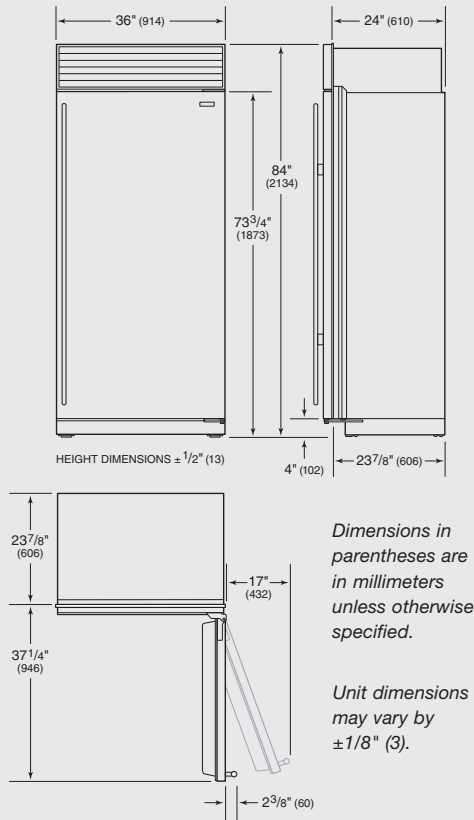




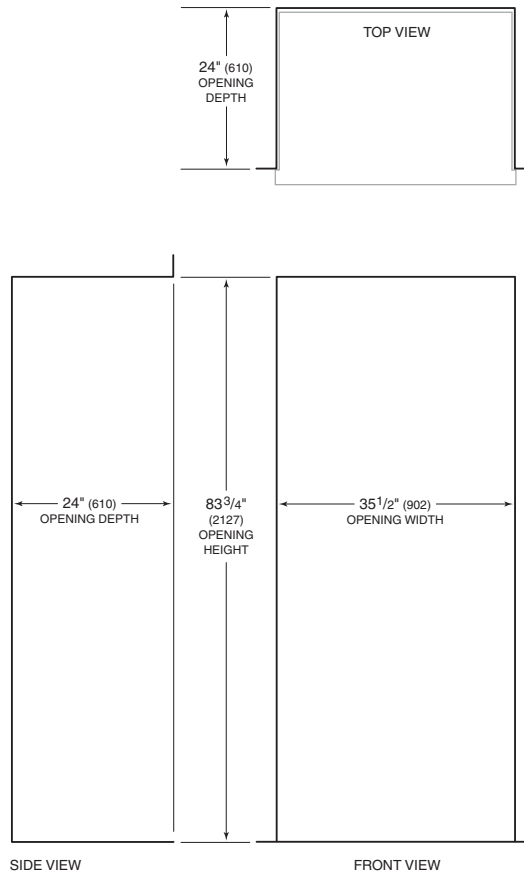
36" Built-In All Refrigerator

OVERALL DIMENSIONS

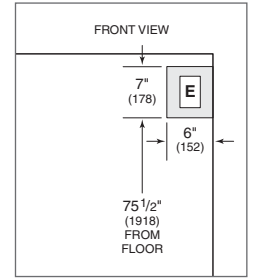


INSTALLATION SPECIFICATIONS

Standard Installation



Location of Electrical Supply



SPECIFICATIONS

Overall Dimensions	36"W x 84" H x 24" D
Door Clearance	Standard 37 1/4" Flush Inset 37 3/4"
Opening Width	35 1/2"
Flush Inset Width	38"
Opening Height	83 3/4"
Flush Inset Height	84"
Opening Depth	24"
Flush Inset Depth	26 3/16"
Electrical Requirements	115 V AC, 60 Hz 15 amp circuit
Shipping Weight	420 lbs

INSTALLATION NOTES

Built-In models may be used in a standard installation or in a flush inset installation which allows the unit to be flush with surrounding cabinetry.

Complete installation specifications, including panel sizes, can be found on our website, subzero.com/specs.

Flush Inset Installation

IMPORTANT NOTE:
Dimensions assume a 3/4" (19) panel thickness.

